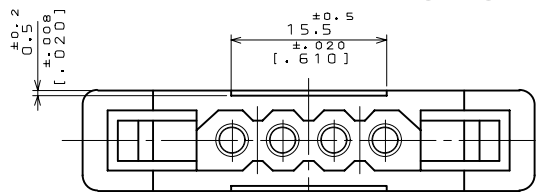
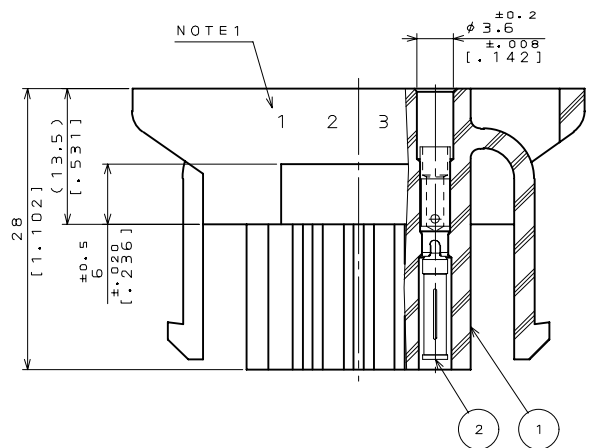
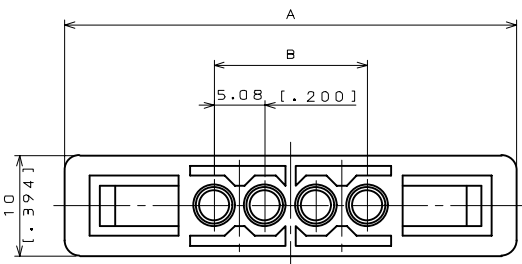


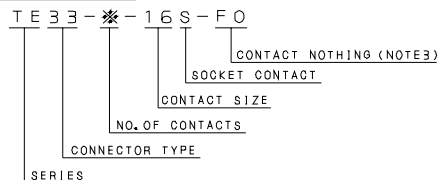
SJ015665-E

DWG. NO.



SYM.	DCN NO.	DESCRIPTION	DATE	DRAWN	CHECKED	APP'D	APP'D

DESIGNATION



REFERENCE ONLY

METHOD

DIELECTRIC WITHSTANDING VOLTAGE: A.C. 2000Vr.m.s FOR ONE MINUTE  
INSULATION RESISTANCE: D.C. 500V. 1000MΩ MIN.

NOTE1. \*PART NO. & \*COMPANY LOGO JAE\* ARE MARKED AS INDICATED.  
\*FO\* IS NOT MARKED ON CONNECTOR.

2. THE TERMINAL NUMBERS ARE SHOWN BY THE MARKING.

3. THE CONTACTS ARE SOLD SEPARATELY.  
PLEASE ORDER THE CONTACTS BY PART NUMBER SHOWN BELOW.

TABLE. 1

DWG. NO.	PART NO.	APPLICABLE WIRE
031-50675	QES-16-16	AWG#16~#20(1.3mm~0.5mm)
031-50676	QES-16-20A	AWG#20~#24(0.5mm~0.2mm)
031-50677	QES-16-20	AWG#20~#24(0.5mm~0.2mm)

TABLE. 2

NO. OF CONTACTS	A	B
4	45	3×5.08=15.24
8	65	7×5.08=35.56
12	85	11×5.08=55.88

ITEM	DESCRIPTION	Q'TY	MATERIAL	FINISH	REMARKS
2	SOCKET CONTACT	—	COPPER ALLOY	GOLD PLATING OVER NICKEL	NOTE 3
1	INSULATOR	1	GLASS FILLED NY	NONE	COLOR:BLACK

REFERENCE DOCUMENT T78-4 JACS-3043	DATE 17. Nov. '92	SCALE 2/1	WT.	Q'TY	JAPAN AVIATION ELECTRONICS INDUSTRY, LTD.
MATERIAL	DRAWN J. HAYAKAWA	TITLE TE33-*16S-FO		 MUSASHINO, AKISHIMA-SHI TOKYO, JAPAN DWG. NO. SJ015665-E	
TREATMENT	CHECKED HARIGAYA	APP'D M. MAJIME			
FINISH	APP'D M. TAKAGI	SERIES TE			

DIMENSIONS ARE IN MILLIMETERS  
TOLERANCES ON: (INCHES)

DIMENSION	ANGLES
±0.01 (0.011)	° ±
±	' ±
±0.21 (0.008)	CONCENTRICITY
±0.008	WITHIN ±0.1, 0.1

DCF-116A

0 10 20 30 40 50 60 70 80 90 100

CDS-92-52748  
SIZE A-B

## X-ON Electronics

Largest Supplier of Electrical and Electronic Components

*Click to view similar products for [Power to the Board](#) category:*

*Click to view products by [JAE](#) manufacturer:*

Other Similar products are found below :

[6450171-4](#) [6450552-7](#) [6600323-8](#) [6643429-1](#) [6646040-2](#) [6651939-1](#) [6766604-1](#) [120959-1](#) [1393557-2](#) [1393532-2](#) [1393532-3](#) [1393532-4](#)  
[1393557-1](#) [1600812-5](#) [1-6450861-2](#) [1744132-7](#) [1761122-1](#) [1766250-1](#) [1892109-1](#) [2-6450860-5](#) [2-6450870-0](#) [1-6450161-4](#) [1-6450850-6](#) [1-](#)  
[6450869-6](#) [1645526-2](#) [1-6600130-0](#) [2005243-2](#) [TE34-12-16P-F0](#) [5-6450830-6](#) [5646956-4](#) [4-6450830-9](#) [4-6600333-3](#) [10125416-4050LF](#)  
[6600320-3](#) [3-6450860-5](#) [1888123-2](#) [6450166-1](#) [6643978-1](#) [6766605-1](#) [N11444](#) [6651938-1](#) [6450810-7](#) [46437-1112](#) [1-1589677-8](#) [5646956-5](#)  
[6450813-2](#) [6450129-4](#) [1645523-1](#) [PSS-06-01-T-S](#) [0465621864](#)