



Board to Board Connector Compatible to PCI Express

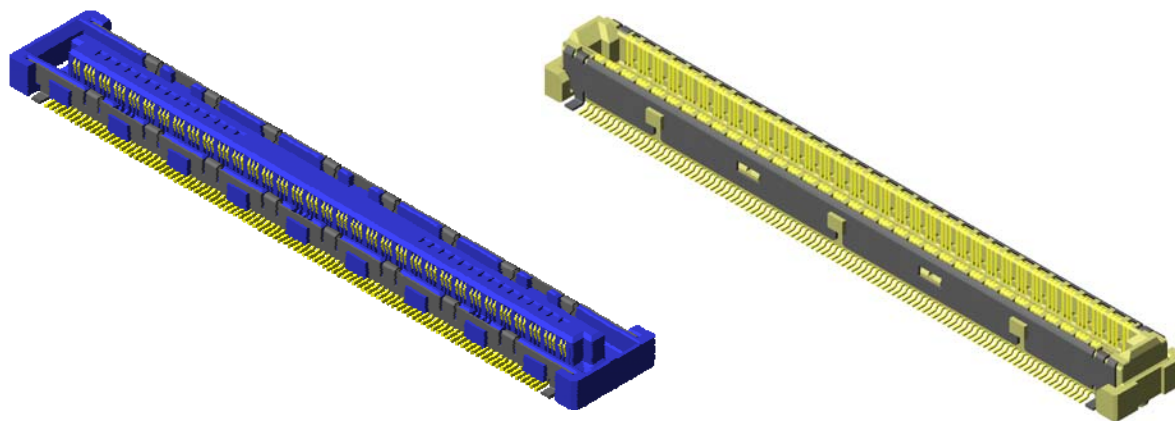
CONNECTOR

MB-0138-2

July 2006

## WB3 Series

**RoHS Compliant**



WB3 Series are board to board connectors satisfying the specification of the transmission characteristics of PCI Express standard.

Suitable for connections between units that need TMD5 transmission, such as graphic card and PCI Express.

**Features**

- Compliant with PCI Express Card Electrical Mechanical SPEC
- High density 0.5mm pitch type yet having a high level transmission characteristic and high speed transmission is possible.
- Contact configuration that enables transmission of PCI Express(X16), TMD5, VGA and others.
- Parallel board to board connection is possible. Stacking height, 4mm and 5mm are available.
- EMI shielding is applied.
- Compatible to automatic mounting. Available in embossed tape package.

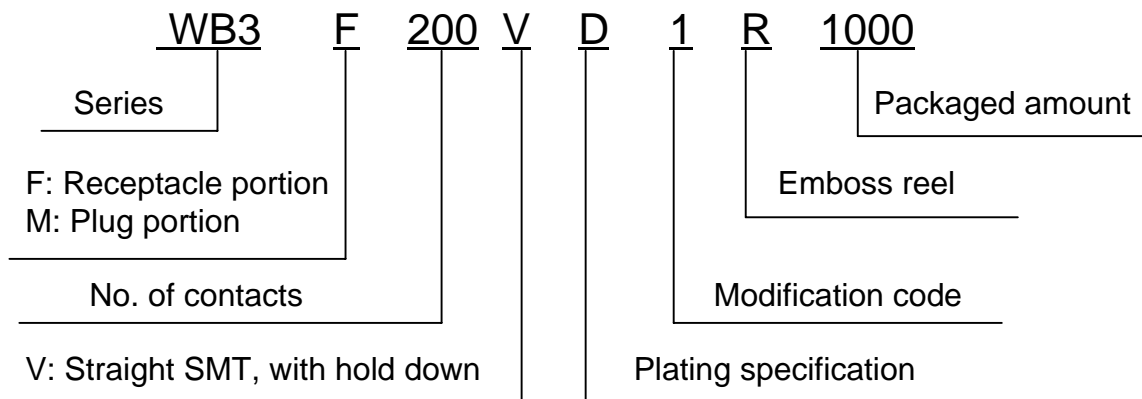
**General Specifications**

- No. of contacts: 200 pos.
- Contact resistance: 50m ohm max.
- Dielectric withstanding voltage: AC250V per minute
- Operating temperature: -40 Deg. C to +85 Deg. C
- Rated current: 0.5A/ per pin
- Mating cycle: 25 cycle
- Insertion loss: -1dB min. (1.25GHz max.)/-5dB min. (3.75GHz max.)
- Return loss: -12dB max. (1.3Ghz max.)/ -7dB max. (2Ghz max.)/ -4dB (3.75GHz max.)
- Crosstalk(near end): -32dB max. (1.25Ghz max.)/ -26dB max. (3.75GHz max.)

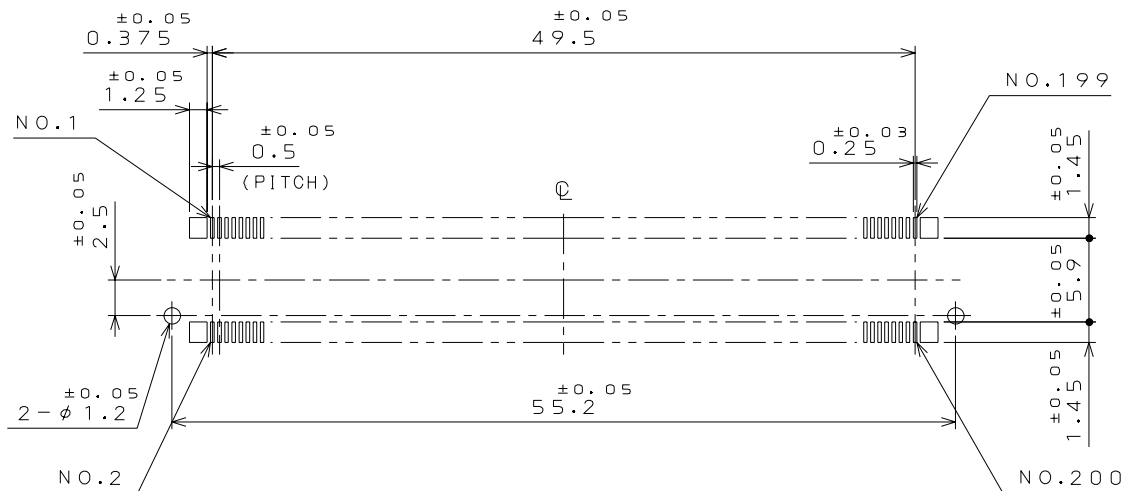
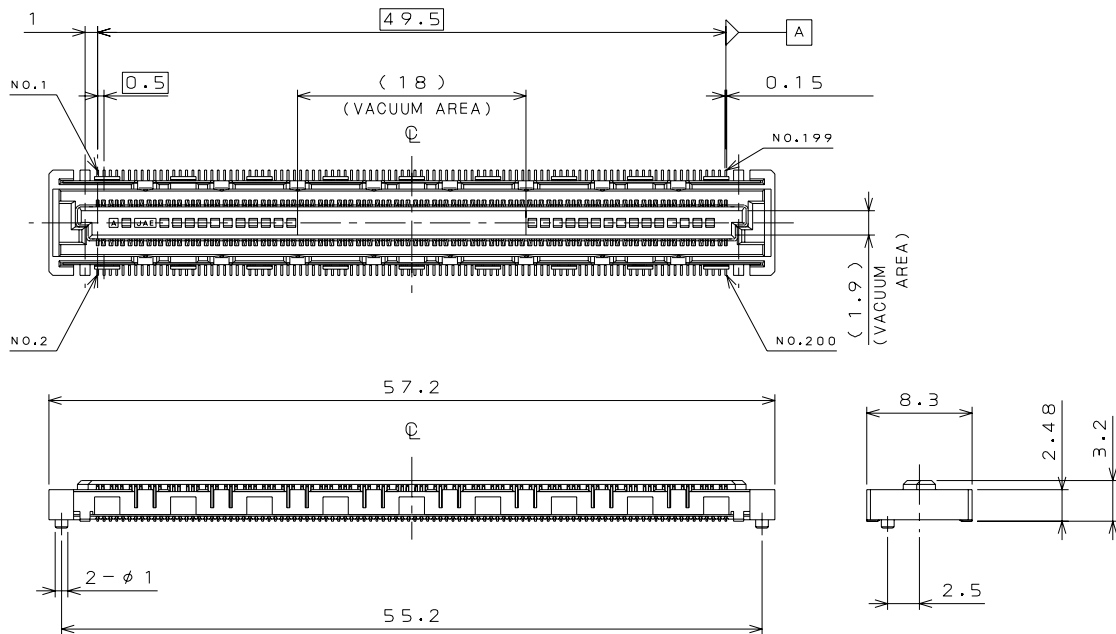
Materials and Finishes

Components	Materials /Finishes
Receptacle	
Contact	Copper Alloy/ Contact: 0.76um min. Au plating over Ni Terminal: Au flash plating over Ni
Insulator	Thermoplastic resin UL94V-0 black
Shell	Copper alloy: Tin plating
Plug	
Contact	Copper Alloy/ Contact: 0.76um min. Au plating over Ni Terminal: Au flash plating over Ni
Insulator	Thermoplastic resin UL94V-0 black
Shell	Stainless steel: Tin plating

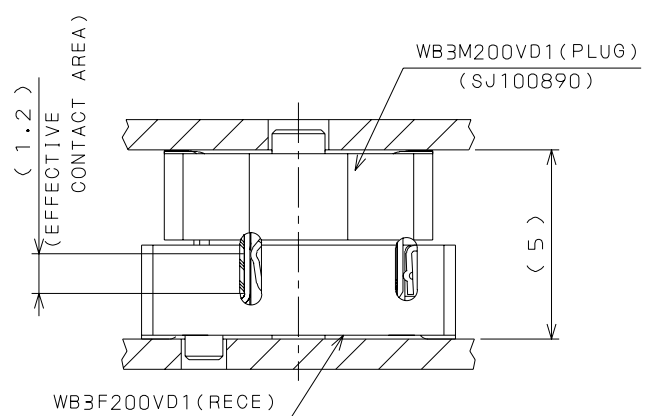
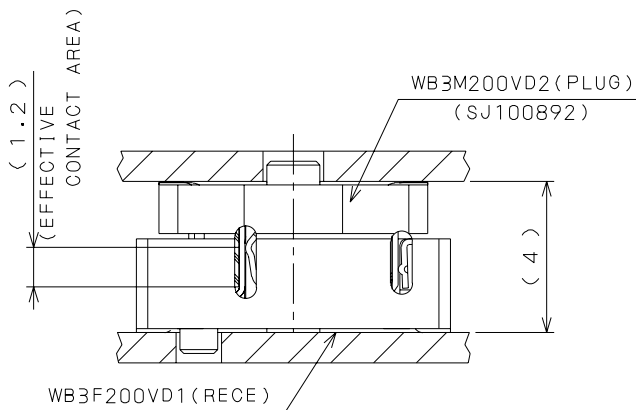
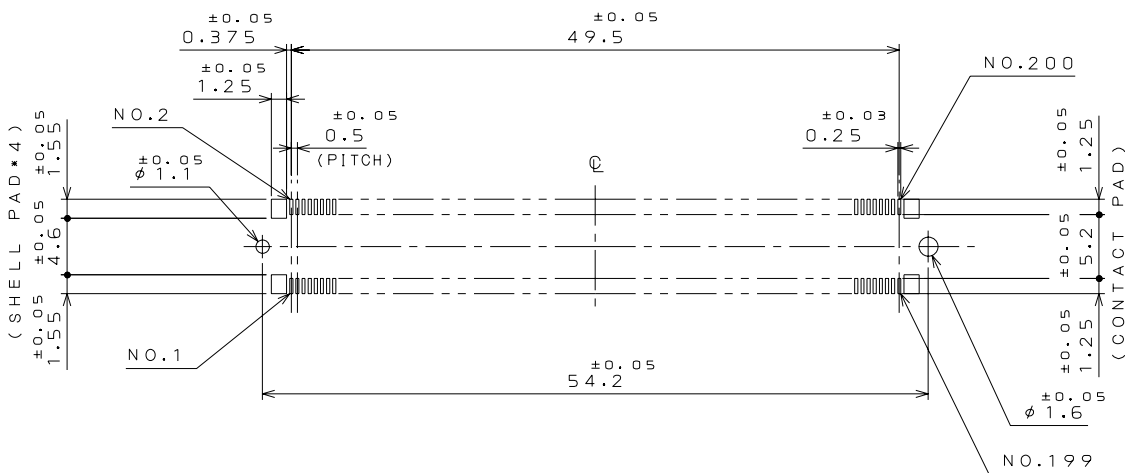
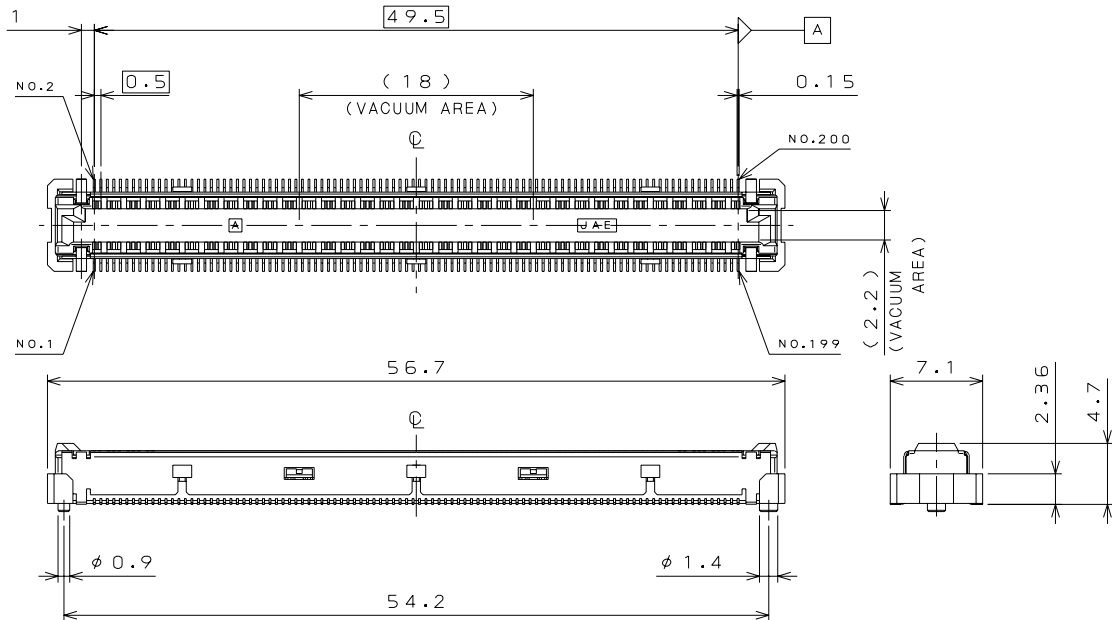
Ordering Information



Receptacle side: WB3F200VD1 (SJ100888)  
 Embossed reel product: WB3F200VD1R1000 (SJ100889)



Plug side: WB3M200VD1 (SJ100890)  
 Embossed reel product: WB3M200VD1R800 (SJ100891)



Unit: mm



## X-ON Electronics

Largest Supplier of Electrical and Electronic Components

*Click to view similar products for [Board to Board & Mezzanine Connectors](#) category:*

*Click to view products by [JAE](#) manufacturer:*

Other Similar products are found below :

[10135583-642402LF](#) [89885-310LF](#) [589158040000018](#) [6-1393048-0](#) [68683-613](#) [MDF7-12DP-2.54DSA](#) [MDF7-18P-2.54DSA\(01\)](#) [MDF7-20DP-2.54DSA](#) [MDF7-26D-2.54DSA\(55\)](#) [MDF7-3P-2.54DSA\(01\)](#) [MDF7B-3P-2.54DSA\(55\)](#) [MDF7C-11P-2.54DSA\(55\)](#) [MDF7C-18P-2.54DSA\(55\)](#) [MDF7C-5P-2.54DSA\(01\)](#) [MDF7P-5P-2.54DSA\(55\)](#) [75234-0516](#) [FCN-230C068-11](#) [FCN-268F012-G/BD](#) [FCN-268F036-G/BD](#) [FCN-268M012-G/0D](#) [FCN-268M024-G/1D](#) [FCN-360C008-C](#) [FCN-360C040-C](#) [FCN-723J004/1](#) [MIS-048-01-F-D-DP-K](#) [832-10-034-10-001000](#) [93696-325LF](#) [11828-1FA](#) [AXK630345P](#) [18097-0013](#) [ICA-328STT](#) [2007042-2](#) [304400-2](#) [FCN-214Q030-G/0](#) [FCN-215Q040-G/0](#) [FCN-230C068-ESA](#) [FCN-234P048-G/0](#) [FCN-235D050-G/C](#) [FCN-360A3](#) [FCN-360C040-B](#) [210-93-314-41-105000](#) [2-22603-0](#) [379-064-521-202](#) [MDF7-12P-2.54DSA\(01\)](#) [MDF7-16P-2.54DS\(56\)](#) [MDF7-40DP-2.54DSA\(55\)](#) [MDF7-8P-2.54DSA\(55\)](#) [MDF7B-16P-2.54DSA\(55\)](#) [AXG720047](#) [5031084030](#)