

8E001PS  
(DRAWING NO.)

| 版数<br>REV. | 年月日<br>DATE | DCN NO. | 変更内容<br>DESCRIPTION | 製図<br>DR. | 担当<br>CHK. | 査閲<br>APPD. | 承認<br>APPD. |
|------------|-------------|---------|---------------------|-----------|------------|-------------|-------------|
|            |             |         |                     |           |            |             |             |
|            |             |         |                     |           |            |             |             |

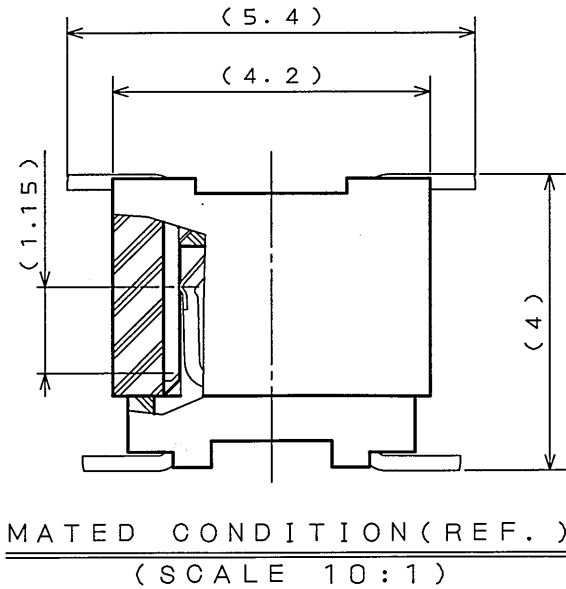
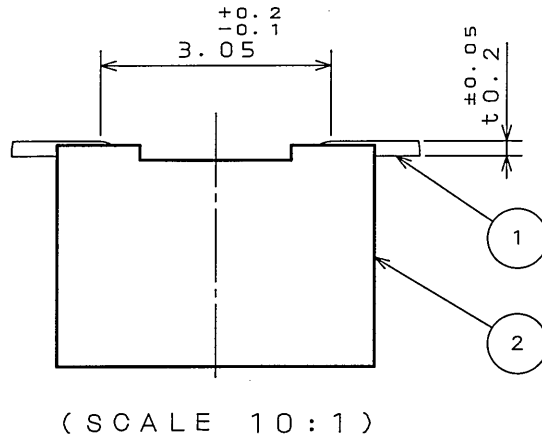
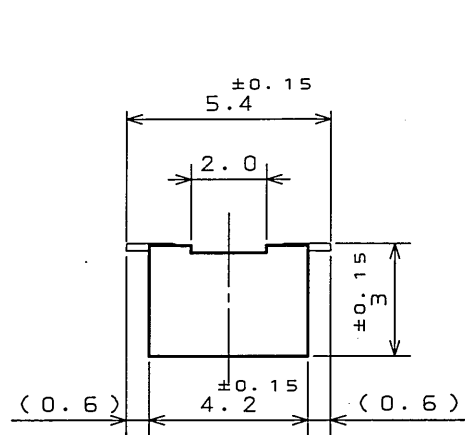
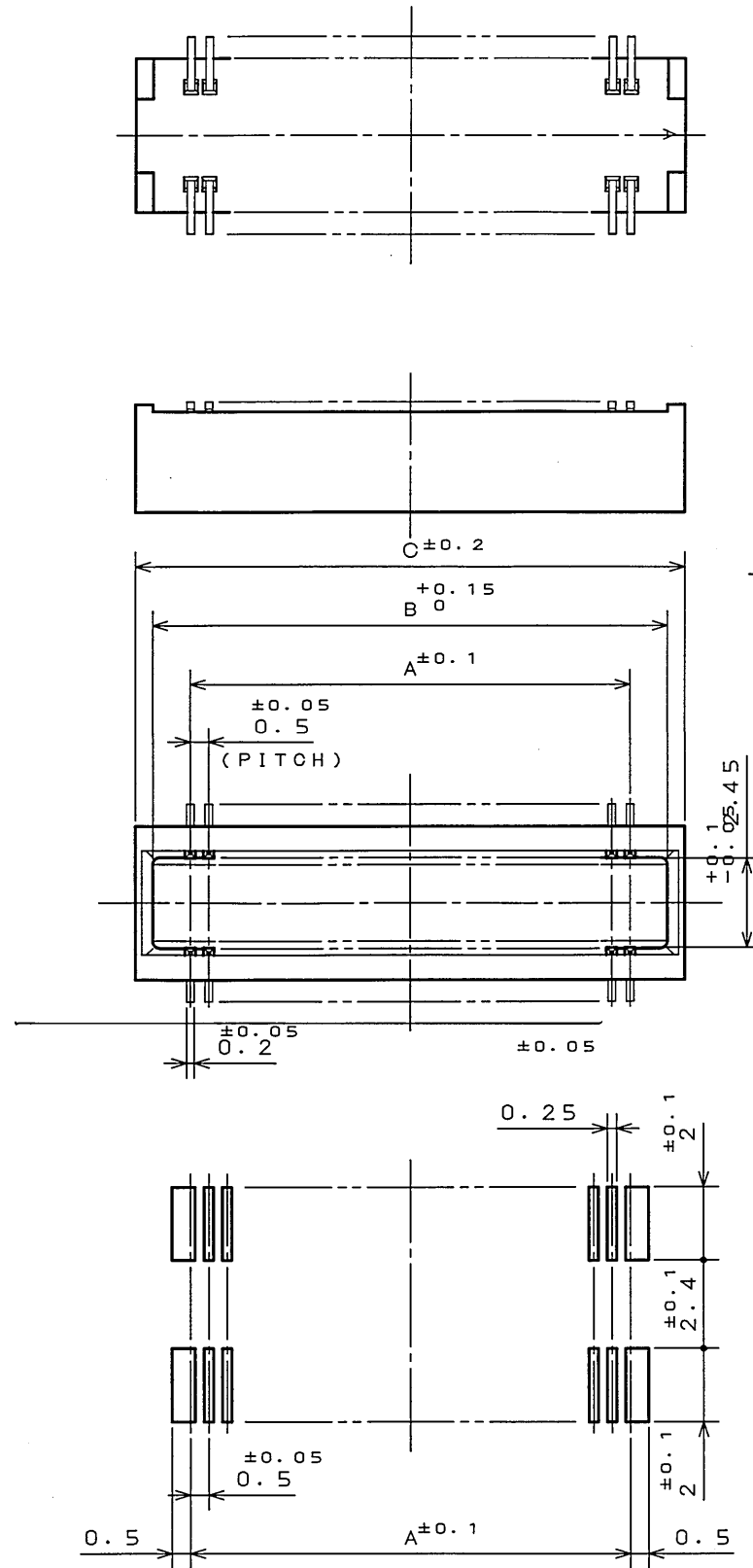


TABLE 1

| No. OF CONTACT(N) | A    | B    | C    |
|-------------------|------|------|------|
| 20                | 4.5  | 6.5  | 7.5  |
| 30                | 7.0  | 9.0  | 10.0 |
| 40                | 9.5  | 11.5 | 12.5 |
| 50                | 12.0 | 14.0 | 15.0 |
| 60                | 14.5 | 16.5 | 17.5 |
| 70                | 17.0 | 19.0 | 20.0 |
| 80                | 19.5 | 21.5 | 22.5 |
| 100               | 24.5 | 26.5 | 27.5 |
| 120               | 29.5 | 31.5 | 32.5 |
| 160               | 39.5 | 41.5 | 42.5 |

TABLE 2

| FINISH | CONTACT AREA               | TERMINAL AREA          |
|--------|----------------------------|------------------------|
| N 1    | GOLD(0.1μm MIN)OVER NICKEL | GOLD FLASH OVER NICKEL |

NOTE1. COPLANARITY IS AS PER APPLICABLE SPECIFICATION.  
注1. 端子の振れ規定は適用仕様書による。

APPLICABLE P.C.B. DIMENSION(REF.)  
(CONNECTOR MOUNTING SIDE)

|                         |                   |                    |                  |              |                                     |
|-------------------------|-------------------|--------------------|------------------|--------------|-------------------------------------|
| 2                       | INSULATOR         | 1                  | GLASS FILLED PPS |              | COLOR:BLACK                         |
| 1                       | CONTACT           | N                  | PHOSPHOR BRONZE  | TABLE 2      |                                     |
| 符号<br>NO.               | 名称<br>DESCRIPTION | 個数<br>QTY.         | 材料<br>MATERIAL   | 仕上<br>FINISH | 備考<br>REMARKS                       |
| 仕様書(SPECIFICATION)      | JACS-1385-*       | 第1版(ORIGINAL DATE) | 4.Dec.2003       | 尺(SCALE)     | シリーズ(SERIES)                        |
| 一般公差(GENERAL TOLERANCE) |                   | 製図<br>DR.          | M.TANAKA         | 名称(TITLE)    | Reference                           |
| 寸法(DIMENSION)           | 角度(ANGLES)        | 担当<br>CHK.         | T.SHIODA         | WR-*P-VF-N1  | JAE                                 |
| . ±0.8                  | X° ±              | 査閲<br>APPD.        | K. Kawada        |              | 日本航空電子工業株式会社                        |
| .X ±0.4                 | X°X' ±            | 承認<br>APPD.        | S. Kashinagi     |              | AVIATION ELECTRONICS INDUSTRY, LTD. |
| .XX ±0.1                |                   |                    |                  | 重量(WEIGHT)   | 図面番号(DRAWING NO.)                   |
| .XXX ±                  |                   |                    |                  |              | SJ100338                            |

LEAD FREE この製品は鉛フリー品です

JAE CONNECTOR DIV. PROPRIETARY.  
COPYRIGHT (C) 2003, JAPAN AVIATION ELECTRONICS INDUSTRY, LTD.

DOF-O-212E(03.08)



## X-ON Electronics

Largest Supplier of Electrical and Electronic Components

*Click to view similar products for [Board to Board & Mezzanine Connectors](#) category:*

*Click to view products by [JAE](#) manufacturer:*

Other Similar products are found below :

[589158040000018](#) [MDF7C-18P-2.54DSA\(55\)](#) [FCN-230C068-11](#) [FCN-268F012-G/BD](#) [FCN-268F036-G/BD](#) [FCN-268M012-G/0D](#) [FCN-268M024-G/1D](#) [FCN-723J004/1](#) [MIS-048-01-F-D-DP-K](#) [832-10-034-10-001000](#) [FX4C-80S-1.27DSA](#) [FCN-214Q030-G/0](#) [FCN-234P048-G/0](#) [FCN-235D050-G/C](#) [210-93-314-41-105000](#) [2-22603-0](#) [MDF7-40DP-2.54DSA\(55\)](#) [AXG720047](#) [5031084030](#) [MIT-114-03-F-D-K](#) [55323-1519](#) [DF33-2P-3.3DSA\(24\)](#) [YFT-20-05-H-03-SB-K](#) [503308-3040](#) [026-6203-PDB](#) [027-6203-PDB](#) [069159702701000](#) [10123981-102LF](#) [101A10019X](#) [55650-0588-C](#) [68682-310LF](#) [68684-306](#) [75140-7012](#) [87471-650](#) [FCN-268F024-G0D](#) [10124054-515LF](#) [68685-603](#) [8-1616154-3](#) [MIS-019-01-F-D](#) [FCN-268M024-G/3D](#) [FCN-268M036-G/BD](#) [20021832-06016C1LF](#) [KX15-20KLDL-E1000E](#) [AXE810124](#) [FCN-214J100-G/0](#) [FCN-230C068-E/S](#) [AXE812124](#) [AXE816124](#) [AXE720127](#) [354184](#)