

X2 Metallized Polypropylene Film Capacitor – JFZ

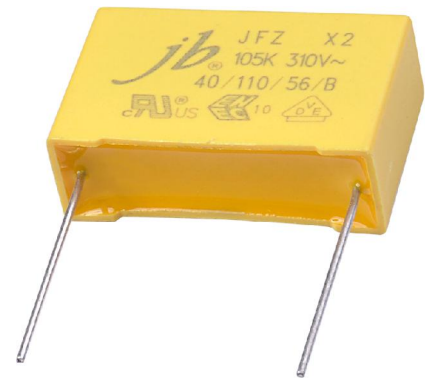
Interference Suppression Capacitors (Class X2, 310VAC)

FEATURES

- > Non-inductive, (UL940V-0) plastic case sealed with epoxy resin.
- > Provides interference suppression with VDE, ENEC and UL approvals.

SPECIFICATIONS

Operating Temperature	-40°C ~ +110°C
Voltage Rating	310VAC
Capacitance Range	0.0022 ~ 2.2μF
Capacitance Tolerance	±10% (K) standard,
Package	Bulk, Ammo Tape Package
Insulation Resistance	CR≤0.33 μF, I.R≥15,000MΩ CR>0.33 μF, I.R≥5,000S (20°C, 100V,1min) 0.0010μF≤CR≤0.47μF ≤0.1% (1KHz,20°C)
Dissipation Factor	0.47μF≤CR≤1.0μF ≤0.2% (1KHz,20°C) 1.0μF≤CR≤10μF≤0.3% (1KHz,20°C)
Voltage Proof	4.3Ur DC /5s



SAFETY APPROVALS:

	LOGO MARK	COUNTRY	APPROVAL STANDARD	APPROVAL NO.	CLASS	CAP. RANGE	RATED VOLTAGE
VDE		GERMANY	DIN EN 60384-14 (VDE 0565 Teil 1-1)	40041888	X2	0.001 to 10.0μF	310/305/300/275/250VAC
ENEC		EUROPE	EN 60384-14; IEC 60384-14	40041888	X2	0.001 to 10.0μF	310/305/300/275/250VAC
cUL, UL		CANADA/U.S.A	UL/IEC 60384-14	E344970	X2	0.001 to 10.0μF	310/305/300/275/250VAC

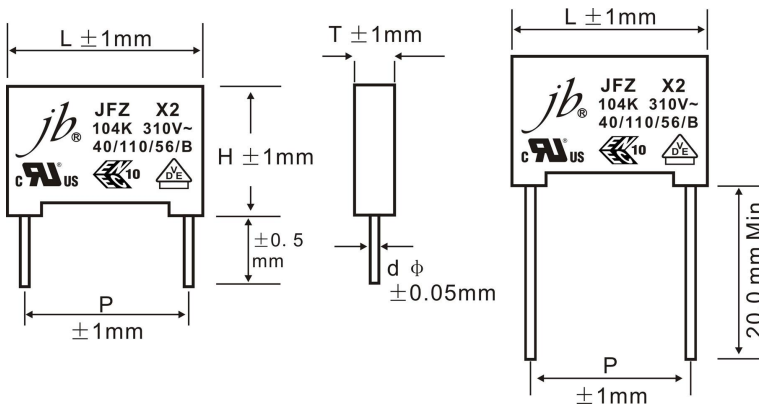
ENEC mark has replaced all the following European National marks:



X2 Metallized Polypropylene Film Capacitor – JFZ

Interference Suppression Capacitors (Class X2, 310VAC)

DRAWING:



Dimensions Table for 310V AC:

(Unit: mm)

A type						Part# Bulk Package (Loose in Box)
CAP	$L \pm 1.0$	$T \pm 1.0$	$H \pm 1.0$	$P \pm 1.0$	$d \phi \pm 0.05$	Standard leads 20mm Min
0.0022	13.0	5.0	11.0	10.0	0.6	JFZ0A9222K100000B
0.0027	13.0	5.0	11.0	10.0	0.6	JFZ0A9272K100000B
0.0033	13.0	5.0	11.0	10.0	0.6	JFZ0A9332K100000B
0.0047	13.0	5.0	11.0	10.0	0.6	JFZ0A9472K100000B
0.0056	13.0	5.0	11.0	10.0	0.6	JFZ0A9562K100000B
0.0068	13.0	5.0	11.0	10.0	0.6	JFZ0A9682K100000B
0.0082	13.0	5.0	11.0	10.0	0.6	JFZ0A9822K100000B
0.01	18.0	5.0	11.0	15.0	0.6	JFZ0A9103K150000B
0.012	13.0	5.0	11.0	10.0	0.6	JFZ0A9123K100000B
0.015	13.0	5.0	11.0	10.0	0.6	JFZ0A9153K100000B
0.018	13.0	5.0	11.0	10.0	0.6	JFZ0A9183K100000B
0.022	18.0	5.0	11.0	15.0	0.6	JFZ0A9223K150000B
0.027	13.0	5.0	11.0	10.0	0.6	JFZ0A9273K100000B
0.033	18.0	5.0	11.0	15.0	0.6	JFZ0A9333K150000B
0.039	13.0	5.0	11.0	10.0	0.6	JFZ0A9393K100000B
0.047	18.0	5.0	11.0	15.0	0.6	JFZ0A9473K150000B
0.056	18.0	5.0	11.0	15.0	0.6	JFZ0A9563K150000B
0.068	18.0	5.0	11.0	15.0	0.6	JFZ0A9683K150000B
0.082	18.0	6.0	12.0	15.0	0.8	JFZ0A9823K150000B
0.1	18.0	6.0	12.0	15.0	0.8	JFZ0A9104K150000B
0.12	18.0	6.0	12.0	15.0	0.8	JFZ0A9124K150000B
0.15	18.0	6.0	12.0	15.0	0.8	JFZ0A9154K150000B
0.15	26.5	6.0	15.0	22.0	0.8	JFZ0A9154K220000B

*Please contact us for special item or size not listed .

Please visit our website to get more update data, those data & specification are subject to change without notice.

X2 Metallized Polypropylene Film Capacitor – JFZ

Interference Suppression Capacitors (Class X2, 310VAC)

Dimensions Table for 310V AC:

(Unit: mm)

A type						Part# Bulk Package (Loose in Box)
CAP	L±1.0	T±1.0	H±1.0	P±1.0	d Ø±0.05	Standard leads 20mm Min
0.22	26.5	7.0	16.5	22.0	0.8	JFZ0A9224K220000B
0.27	26.5	6.0	15.0	22.0	0.8	JFZ0A9274K220000B
0.33	26.5	8.5	17.0	22.0	0.8	JFZ0A9334K220000B
0.39	26.5	8.5	17.0	22.0	0.8	JFZ0A9394K220000B
0.47	26.5	10.0	19.0	22.0	0.8	JFZ0A9474K220000B
0.47	31.0	9.0	18.0	27.0	0.8	JFZ0A9474K270000B
0.56	31.5	11.0	19.5	27.0	0.8	JFZ0A9564K270000B
0.68	31.5	11.0	19.5	27.0	0.8	JFZ0A9684K270000B
0.82	31.5	11.0	19.5	27.0	0.8	JFZ0A9824K270000B
1.0	31.5	11.0	19.5	27.0	0.8	JFZ0A9105K270000B
1.5	31.5	11.0	20.0	27.0	0.8	JFZ0A9155K270000B
2.2	32.0	13.0	23.0	27.0	0.8	JFZ0A9225K270000B
B type						
0.01	13.0	5.0	11.0	10.0	0.6	JFZ0A9103K100000B
0.022	13.0	5.0	11.0	10.0	0.6	JFZ0A9223K100000B
0.033	13.0	5.0	11.0	10.0	0.6	JFZ0A9333K100000B
0.047	13.0	5.0	11.0	10.0	0.6	JFZ0A9473K100000B
0.056	13.0	5.0	11.0	10.0	0.6	JFZ0A9563K100000B
0.068	13.0	5.0	11.0	10.0	0.6	JFZ0A9683K100000B
0.082	13.0	6.0	12.0	10.0	0.6	JFZ0A9823K100000B
0.1	13.0	6.0	12.0	10.0	0.6	JFZ0A9104K100000B
0.15	13.0	6.0	12.0	10.0	0.6	JFZ0A9154K100000B
0.18	18.0	8.5	14.5	15.0	0.6	JFZ0A9184K150000B
0.22	18.0	8.5	14.5	15.0	0.8	JFZ0A9224K150000B
0.27	18.0	7.5	13.5	15.0	0.8	JFZ0A9274K150000B
0.33	18.0	9.5	15.5	15.0	0.8	JFZ0A9334K150000B
0.47	18.0	10.0	16.0	15.0	0.8	JFZ0A9474K150000B
0.56	26.5	10.0	19.0	22.0	0.8	JFZ0A9564K220000B
0.68	18.0	11.0	19.0	15.0	0.8	JFZ0A9684K150000B
0.68	26.5	10.0	19.0	22.0	0.8	JFZ0A9684K220000B
1.0	26.5	10.0	19.0	22.0	0.8	JFZ0A9105K220000B

*Please contact us for special item or size not listed.

Please visit our website to get more update data, those data & specification are subject to change without notice.

X-ON Electronics

Largest Supplier of Electrical and Electronic Components

Click to view similar products for JB manufacturer:

Other Similar products are found below :

[JFB02G334K225000B](#) [JFGC 0.1U 630V](#) [JFGC 0.1UF 250V](#) [JFGC 0.33U 250V](#) [JFGC 0.47U 630V](#) [JFGC 0.47UF 250V](#) [JFGC 0.47UF 400V](#)
[JFGC 0.68U 250V](#) [JFGC 0.68U 630V](#) [JFGC 10U 250V](#) [JFGC 1U 630V](#) [JFGC 1UF 250V](#) [JFGC 1UF 400V](#) [JFGC 2.2U 630V](#) [JFGC 2.2UF](#)
[250V](#) [JFGC 2.2UF 400V](#) [JFGC 3.3UF 250V](#) [JFGC 3.3UF 400V](#) [JFGC 4.7UF 250V](#) [JFH02A104K050000B](#) [JFW-100N/310-P10](#) [JFW-](#)
[100N/310-P15](#) [JFW-10N/310-P15](#) [JFW-150N/310-P15](#) [JFW-150N/310-P22](#) [JFW-1U/310-P22](#) [JFW-220N/310-P15](#) [JFW-220N/310-P22](#)
[JFW-22N/310-P10](#) [JFW-22N/310-P15](#) [JFW-2.2U/310-P27](#) [JFW-330N/310-P15](#) [JFW-330N/310-P22](#) [JFW-33N/310-P15](#) [JFW-470N/310-P15](#)
[JFW-47N/310-P10](#) [JFW-47N/310-P15](#) [JFW-680N/310-P27](#) [JFW-6.8N/310-P10](#) [JFW-68N/310-P15](#) [JFX02E105J000000B](#)
[JFX02E106J000000B](#) [JFX02E107J000000B](#) [JFX02E156J000000B](#) [JFX02E166J000000B](#) [JFX02E167J000000B](#) [JFX02E225J000000B](#)
[JFX02E226J000000B](#) [JFX02E276J000000B](#) [JFX02E306J000000B](#)