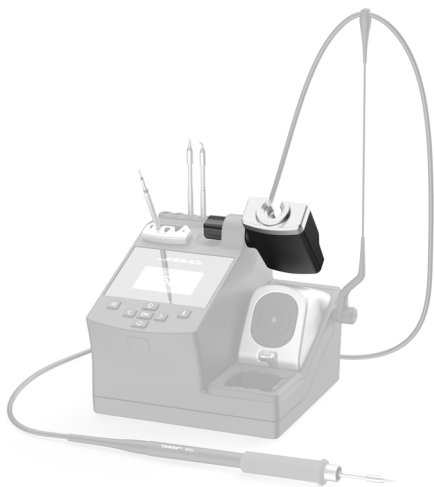


JBC

www.jbctools.com

INSTRUCTION MANUAL



**H2994, H4706,
H4720, H4719**

Tool Holders for
Compact Stations

This manual corresponds to the following references:

0012994 H2994 for CDB & CDS

0014706 H4706 for CA and CF

0014720 H4720 for CS

0014719 H4719 for CP

Packing List

The following items are included:



Tool Holder..... 1 unit
according to purchased reference

Manual 1 unit
Ref. 0028656

Replacement

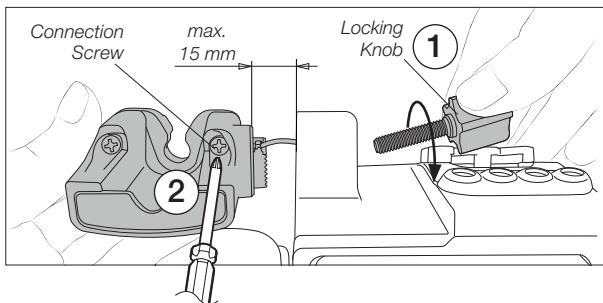


Before carrying out maintenance, always unplug the tool. Allow the equipment to cool down. Be sure that the power supply is disconnected before changing any spare part.

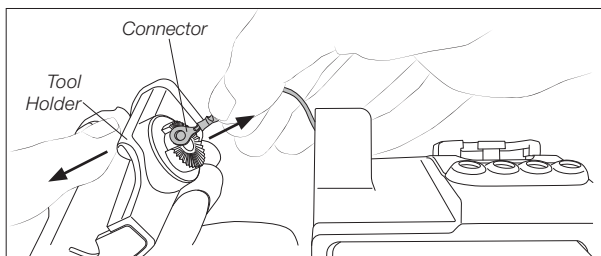
Changing the Tool Holder

Turn the station off and allow the equipment to cool down.

Remove the locking knob (1) and separate the holder from the station. Then remove the connection screw (2).



Pull the tool holder gently until the connector comes out.



Place the new tool holder following the same steps conversely.

Specifications

H2994, H4706, H4720, H4719 **Tool Holders for Compact Stations**

Ref.: **0012994** *H2994 for CDB & CDS*

Ref.: **0014706** *H4706 for CA and CF*

Ref.: **0014720** *H4720 for CS*

Ref.: **0014719** *H4719 for CP*

- Package Dimensions: 111 x 81 x 41 mm
 (L x W x H) 4.37 x 3.19 x 1.61 in

Complies with CE standards
ESD Safe

JBC

Warranty

JBC's 2 year warranty covers this equipment against all manufacturing defects, including the replacement of defective parts and labour.

Warranty does not cover product wear or misuse.

In order for the warranty to be valid, equipment must be returned, postage paid, to the dealer where it was purchased.



This product should not be thrown in the garbage.

In accordance with the European directive 2012/19/EU, electronic equipment at the end of its life must be collected and returned to an authorized recycling facility.



www.jbctools.com

X-ON Electronics

Largest Supplier of Electrical and Electronic Components

Click to view similar products for [Soldering & Desoldering Stations](#) category:

Click to view products by [JBC Tools](#) manufacturer:

Other Similar products are found below :

[T0058768747](#) [CA0201](#) [WXD2N](#) [145-2000-ESDN](#) [T0058758721N](#) [0051514699N](#) [0051512199N](#) [TS2300D](#) [WELPB102](#) [0552406](#) [5SS-554-](#)
[H](#) [5SS-553-H](#) [209202](#) [MFR-2240](#) [DDSE-2QD](#) [SRWS-2SC](#) [DMPSE-2QB](#) [T245-GA](#) [0ICV2005A](#) [MX-570](#) [108ESD](#) [DS2500D](#) [LS30](#)
[T0052923699](#) [0IC2205VC](#) [MS-GT-Y050](#) [CDN-2QF](#) [ZD-154-1C](#) [JNA-2B](#) [0IC1105A](#) [T0053451699](#) [TESE-2B](#) [CVC-9CH0050S](#) [ST802](#)
[0016268](#) [ZD-154-1A](#) [ZD-11L](#) [QUICK 959D+](#) [CHB-B](#) [0IC1135A](#) [0IC1305](#) [DMSE-2QB](#) [JTSE-2QB](#) [0ICV2005AC](#) [HCT-910-21](#)
[T0058748850N](#) [NH-A](#) [MFR-1140](#) [GALE07D-A](#) [T0053452699](#)