

# **JBC**

[www.jbctools.com](http://www.jbctools.com)

## **INSTRUCTION MANUAL**



**H5450, H6267, H6268,  
H6269, H8036, H6272,  
H6273, H6275, H6274,  
H8410, H6227,  
H6276, H8634, H8411**

Tool Holders for Stands

This manual corresponds to the following references\*:

**0015450** H5450 for ADS & HDS

**0016268** H6268 for AMS

**0028036** H8036 for ATS

**0016273** H6273 for DRS

**0016274** H6274 for DNS

**0016227** H6227 for TES

**0018634** H8634 for SFS

**0016267** H6267 for APS

**0016269** H6269 for HTS & HDTS

**0016272** H6272 for DSS

**0016275** H6275 for ALS & ALES

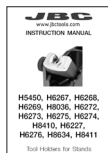
**0028410** H8410 for NAS

**0016276** H6276 for JTS

**0028411** H8411 for WSBT

## Packing List

The following items are included:



**Tool Holder** ..... 1 unit

*\*according to purchased  
reference*

**Manual** ..... 1 unit

Ref. 0028444

## Replacement

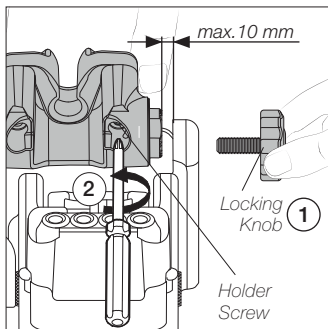


Before carrying out maintenance, always unplug the tool. Allow the equipment to cool down. Be sure that the power supply is disconnected before changing any spare parts.

## Changing the Tool Holder

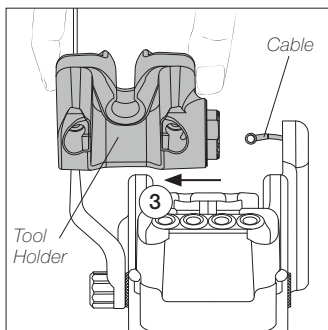
Remove the locking knob (1).

Separate the tool holder from the stand and remove the holder screw (2).



Carefully move the tool holder sideways until the cable\* comes out (3).

Place the new tool holder following the disassembling steps conversely.



*\*The following references come without cabel connection:*

- Ref. 0018634 SSFS for SFS
- Ref. 0028411 SWSBT for WSBT

# Specifications

H5450, H6267, H6268, H6269, H8036, H6272, H6273, H6275, H6274, H8410, H6227, H6276, H8634, H8411

## Tool Holders for Stands

Ref.: see page 2

- Package Dimensions: 111 x 81 x 41 mm  
(L x W x H) 4.37 x 3.19 x 1.61 in

Complies with CE standards  
ESD Safe

# JBC

## Warranty

JBC's 2 year warranty covers this equipment against all manufacturing defects, including the replacement of defective parts and labour.

Warranty does not cover product wear or misuse.

In order for the warranty to be valid, equipment must be returned, postage paid, to the dealer where it was purchased.



This product should not be thrown in the garbage.

In accordance with the European directive 2012/19/EU, electronic equipment at the end of its life must be collected and returned to an authorized recycling facility.



[www.jbctools.com](http://www.jbctools.com)

## X-ON Electronics

Largest Supplier of Electrical and Electronic Components

*Click to view similar products for [Soldering & Desoldering Stations](#) category:*

*Click to view products by [JBC Tools](#) manufacturer:*

Other Similar products are found below :

[T0058768747](#) [CA0201](#) [WXD2N](#) [145-2000-ESDN](#) [T0058758721N](#) [0051514699N](#) [0051512199N](#) [TS2300D](#) [WELPB102](#) [0552406](#) [5SS-554-](#)  
[H](#) [5SS-553-H](#) [209202](#) [MFR-2240](#) [DDSE-2QD](#) [SRWS-2SC](#) [DMPSE-2QB](#) [T245-GA](#) [0ICV2005A](#) [MX-570](#) [108ESD](#) [DS2500D](#) [LS30](#)  
[T0052923699](#) [0IC2205VC](#) [MS-GT-Y050](#) [CDN-2QF](#) [ZD-154-1C](#) [JNA-2B](#) [0IC1105A](#) [T0053451699](#) [TESE-2B](#) [CVC-9CH0050S](#) [ST802](#)  
[0016268](#) [ZD-154-1A](#) [ZD-11L](#) [QUICK 959D+](#) [CHB-B](#) [0IC1135A](#) [0IC1305](#) [DMSE-2QB](#) [JTSE-2QB](#) [0ICV2005AC](#) [HCT-910-21](#)  
[T0058748850N](#) [NH-A](#) [MFR-1140](#) [GALE07D-A](#) [T0053452699](#)