

为您的产品保驾护航

PRODUCT DATASHEET

Surface Mount Fuse

JFC2410TS TIME-LAG FUSE




Descriptions

JFC2410TS series are time-lag square Surface Mount fuses are ceramic tube/end cap constructions, RoHS compliant, Halogen Free and lead(Pb) exempts of the requirements of RoHS Directive(2002/95/EC), with U.S. (UL/CSA) safety agency approvals. Provide board level primary and secondary circuit protection in a wide variety of applications. With excellent inrush current withstanding capability, excellent reliability for thermal and mechanic shock, also have a high reliability and stable solder ability, end caps are available in gold/silver/nickel plated.

Applications

- LED lighting
- Notebook PC
- Battery devices
- LCD/PDP devices
- LCD backlight in verter
- Portable Device
- Power supply
- Networking devices
- PC server
- Cooling fan system
- Storage system
- Telecom system
- Wireless base station
- White goods
- Game console
- Digital camera
- Office equipment
- Digital camera
- Automotive devices
- Medical equipment
- Industrial equipment

Agency Approvals

AGENCY	AGENCY FILE NUMBER
	E486200

Features

- Time-Lag
- RoHS compliant
- Conflict free metals
- Small size (6.1mm*2.5mm)
- Wide range of current rating available
- Wide operating temperature range
- Low temperature de-rating
- Tape and Reel for automatic placement

Electrical Characteristics

- Pre-Arcing Time / Current Characteristics:

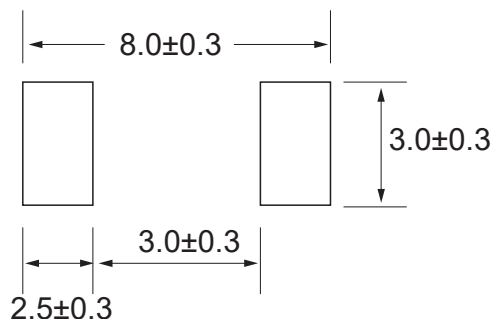
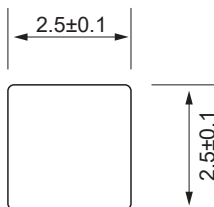
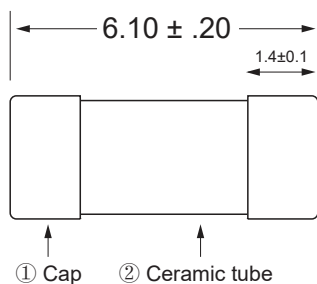
% of Ampere Rating(In)	Opening Time
100%*In	4 hours Min
200%*In	60 sec Max
1000%*In	10ms Min

Performance Specification

Part Number	Rated Current (A)	Max Voltage Rating(V)	Interrupting Rating	Nominal Cold Resistance (mΩ)	Nominal Melting I ² t (A ² sec)
JFC2410-0062TS	0.062	250V	50A@250V 100A@125V	5645	0.00028
JFC2410-0100TS	0.10			3136	0.0404
JFC2410-0160TS	0.16			2295	0.0638
JFC2410-0200TS	0.20			1646	0.0682
JFC2410-0250TS	0.25			1446	0.0715
JFC2410-0300TS	0.30			847	0.2101
JFC2410-0315TS	0.315			646	0.2222
JFC2410-0375TS	0.375			608	0.3630
JFC2410-0400TS	0.40			577	0.4089
JFC2410-0500TS	0.50			316	0.520
JFC2410-0600TS	0.60			263	0.852
JFC2410-0630TS	0.63			252	1.085
JFC2410-0700TS	0.70			226	2.315
JFC2410-0750TS	0.75			224	2.464
JFC2410-0800TS	0.80			201	2.618
JFC2410-1100TS	1.00			126	4.059
JFC2410-1125TS	1.25			90.2	4.136
JFC2410-1150TS	1.50			83.8	7.441
JFC2410-1160TS	1.60			72.3	7.485
JFC2410-1200TS	2.00			35.6	13.365
JFC2410-1250TS	2.50	33.2	17.627		
JFC2410-1300TS	3.00	24.5	23.716		
JFC2410-1315TS	3.15	24.7	28.325		
JFC2410-1350TS	3.50	22.1	33.055		
JFC2410-1400TS	4.00	18.2	47.528		
JFC2410-1500TS	5.00	12.5	60.775		
JFC2410-1600TS	6.00	10.2	82.769		
JFC2410-1630TS	6.30	9.15	102.905		
JFC2410-1700TS	7.00	8.63	106.832		
JFC2410-1800TS	8.00	7.33	119.625		
JFC2410-2100TS	10.0	125V	100A@125V	6.48	130.218
JFC2410-2120TS	12.0			4.36	154.088
JFC2410-2150TS	15.0			2.86	231.748
JFC2410-2160TS	16.0	72V	500A@72V	2.68	236.775
JFC2410-2200TS	20.0			1.88	393.888
JFC2410-2250TS	25.0			1.36	511.687
JFC2410-2300TS	30.0			1.22	1088.615
JFC2410-2400TS	40.0	63V	500A@63V	1.13	1155.858

Dimensions and Structure

- Outline Drawing and dimensions (unit : mm)



Recommended pad layout

- Material Details:

NO.	Component	Material
①	End caps	Au Plated Brass Cap
②	Body	Non-Transparent Square Ceramic Tube
③	Fuse element	Cu-Ag Alloy wire

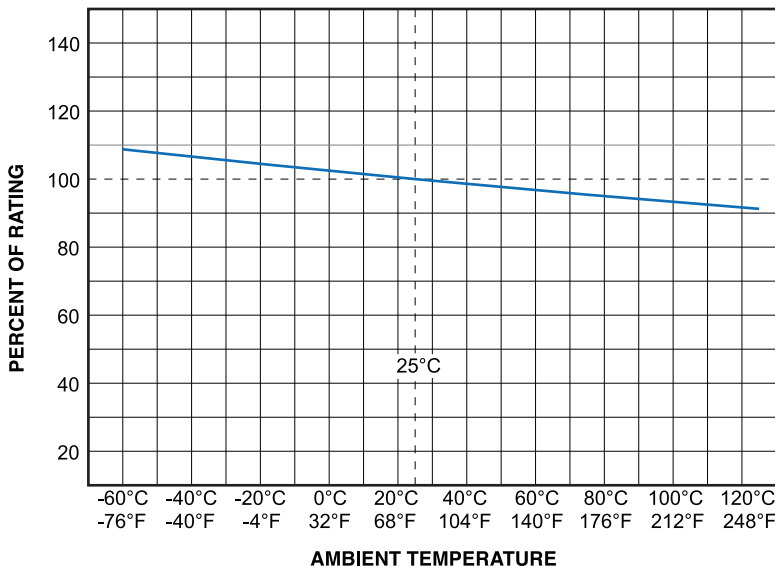
Product Characteristics

No.	Item	Contain	Reference standard
1	Insulation Resistance	10,000 ohms minimum	MIL-STD-202G, Method 302 Test Condition A
2	Solderability	T=240°C±5°C, t=5+0/-0.5s, Cover ≥ 95%	MIL-STD-202G, Method 208H
3	Resistance to Soldering Heat	10 sec at 260°C	MIL-STD-202G, Method 210F Test Condition B
4	Thermal Shock	5 cycles, -65°C to +125°C, 15minutes @each extreme	MIL-STD-202G, Method 107G Test Condition B
5	Mechanical Shock	100G's peak for 6 milliseconds, 3 cycles	MIL-STD-202G, Method 213B Test 1
6	Vibration	0.03" amplitude, 10-55 Hz in 1 min. 2hrs each XYZ=6hrs	MIL-STD-202G, Method 201A
7	Moisture Resistance	10 cycles	MIL-STD-202G, Method 106G
8	Salt Spray	5% salt solution, 48hrs	MIL-STD-202G, Method 101E Test Condition B
9	Operating Temperature	-55°C to +125°C	IEC60068-2-1/2

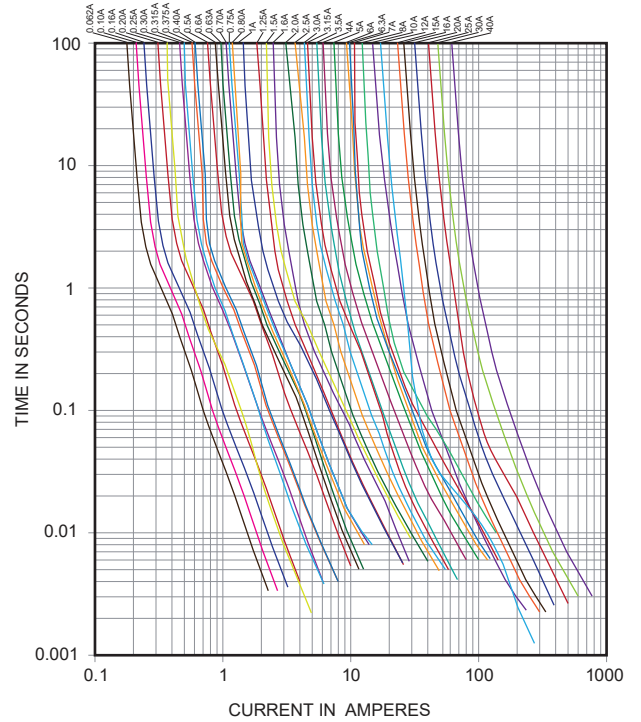
Environmental Characteristic

- Company operating temperature of the environment more than $25 \pm 5^\circ\text{C}$, in the selection of fuse specifications, it needs to consider the impact of the operating environment of the temperature fuse. Photo: temperature derating curve.

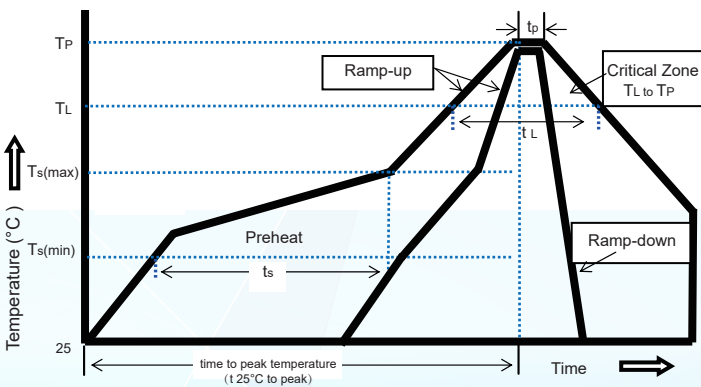
Temperature Derating Curve



Average Time-Current Curve



Recommended Soldering Parameters

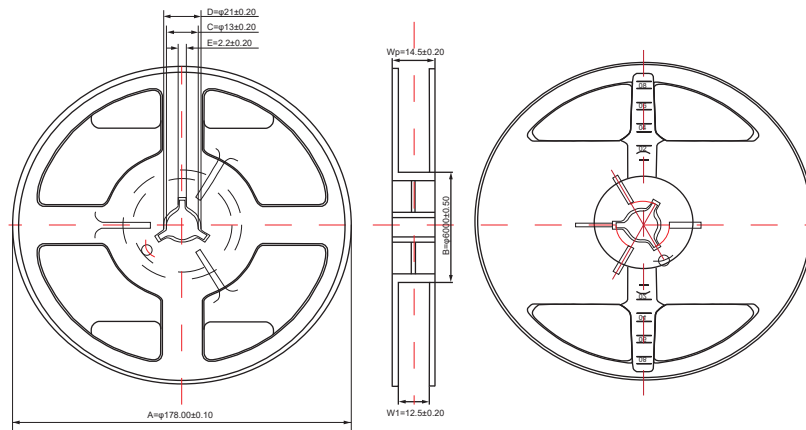


	Reflow Condition	Pb-Free assembly
Average ramp-up rate (Ts(max) to Tp)		5°C/second max.
Preheat	Temperature Min (Ts(min))	150°C
	Temperature Max (Ts(max))	200°C
	Time (Min to Max)(ts)	60~120 seconds
Reflow	Temperature (TL)	220°C
	Time Max (tL)	60 seconds
Peak Temperature (Tp)		260°C max
Ramp-down Rate		5°C/second max
Time 25°C to peak Temperature(Tp)		8 minutes max

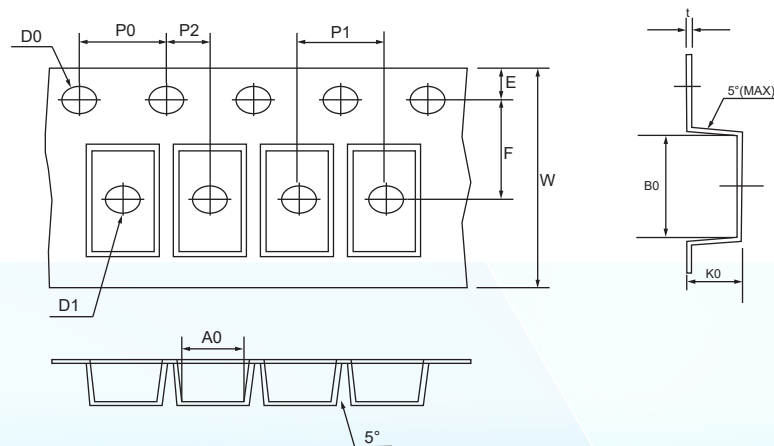
Soldering Method	Parameter	
Reflow solder	Solder paste process	
	Solder Pot Temperature	260°C max
	Solder Dwell Time	5 seconds max
Hand-Solder	Solder Iron Temperature	300±5°C max
	Heating Time	1-2 s max

Packing

No.	Quantity &Packaging Code
JFC2410TS	1500 fuses/reel (12mm tape-and-reel on a 7 inch (178mm) reel per EIA Standard 481)



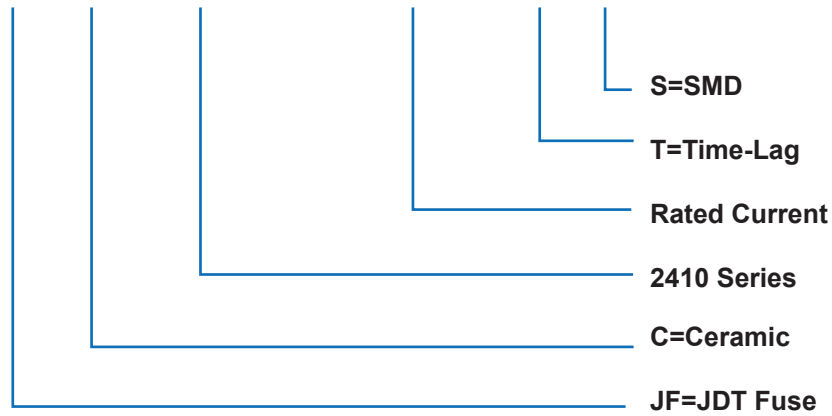
Item	A	B	C	D	E	W1	W2
Spec.(mm)	178±0.10	60±0.50	13±0.20	21±0.20	2.2±0.20	12.5±0.20	14.5±0.20



Item	A0	B0	D0	D1	E	F
Spec.(mm)	2.70±0.10	6.4±0.10	1.5±0.10	1.50±0.25	1.75±0.10	5.50±0.10
Item	K0	P0	P1	P2	W	t
Spec.(mm)	2.70±0.10	4.00±0.10	4.00±0.10	2.0±0.10	12.00±0.15	0.25±0.05

Part Numbering

JF C 2410 - xxxx T S



OTHERS

- If in use beyond the requirements of the specifications, must pass through the mutual confirmation !
- If the specification is not appropriate, must through consultation between the two sides and by the company to modify.
- It could be in conformance with another file which made by our company.

X-ON Electronics

Largest Supplier of Electrical and Electronic Components

Click to view similar products for [Surface Mount Fuses](#) category:

Click to view products by [JDT](#) manufacturer:

Other Similar products are found below :

[FHC20402ADTP](#) [NFVC6125S0R50TRF](#) [SFT-125MA](#) [TF16SN2.00TTD](#) [7010.9810.57](#) [FCC16501ABTP](#) [FCC16102ABTP](#) [FHC16322ADTP](#)
[0308.250UR](#) [0308.375UR](#) [0308.500UR](#) [0308.750UR](#) [0308001.UR](#) [030801.5UR](#) [FCC16202ABTP](#) [F0603G0R03FNTR](#) [SKY87604-12](#)
[SKY87604-11](#) [SKY87604-13](#) [3404.0110.22](#) [7010.9962.63](#) [R451003.L](#) [R451.500L](#) [R451001.L](#) [3-103-119](#) [3-103-123](#) [CFS06V3TR63](#) [F06F3](#)
[F06F0.25](#) [F06T0.5](#) [F06F1](#) [F06F8](#) [F06T1](#) [F06F2](#) [F06F0.75](#) [F06F6](#) [F06F1.5](#) [F06T2](#) [0603FA-2HF](#) [24T 7A250V](#) [06 100.2.5](#) [F06F2.5](#)
[F06T1.5](#) [CLM1612P1412](#) [06 100.0.25](#) [06 100.0.375](#) [06 100.0.5](#) [0603WNF200A032V](#) [F06T5](#) [S0603-S-8.0A](#)