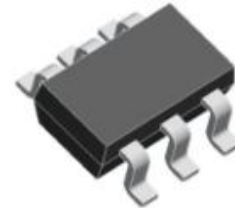


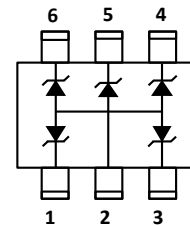
### Features

- 3A Peak pulse current per line ( $t_P = 8/20\mu s$ )
- SOT-363 package
- Protects four bidirectional lines and five unidirectional lines
- Low clamping voltage
- Low capacitance
- Working voltage: 5V
- RoHS compliant transient protection for high speed data lines to IEC61000-4-2(ESD)  $\pm 15kV$ (air),  $\pm 8kV$ (contact)

### SOT-363



### Circuit Diagram



### Mechanical Characteristics

- Lead finish: 100% matte Sn(Tin)
- Mounting position: Any
- Qualified max reflow temperature: 260 °C

### Maximum Ratings (Ta=25 °C unless otherwise specified)

Rating	Symbol	Value	Unit
Peak Pulse Current ( $t_P = 8/20\mu s$ )	$I_{PP}$	3	A
Junction Temperature	$T_J$	-45 to +125	°C
Storage Temperature	$T_{STG}$	-45 to +125	°C

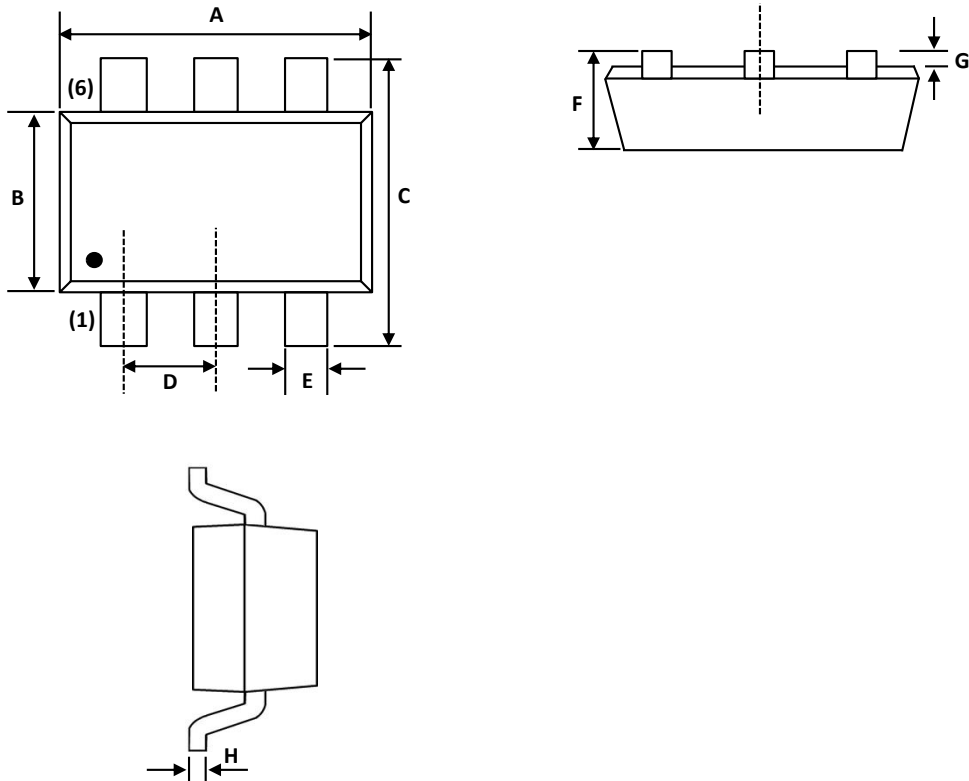
Note1: Pin 1, 3, 4, 5 or 6 to Pin 2

### Electrical Characteristics (Ta=25 °C unless otherwise specified)

Parameter	Symbol	Conditions	Min.	Typ.	Max.	Unit
Reverse Stand-off Voltage	$V_{RWM}$				5	V
Reverse Breakdown Voltage	$V_{BR}$	$I_t = 1mA$	5.8		7.5	V
Reverse Leakage Current	$I_R$	$V_{RWM} = 5V$ $T = 25^\circ C$			1	$\mu A$
Clamping Voltage	$V_C$	$I_{PP} = 3A$ $t_P = 8/20\mu s$			13	V
Junction Capacitance	$C_j$	$V_R = 0V$ $f = 1MHz$		10	15	pF

Note1: Pin 1, 3, 4, 5 or 6 to Pin 2

SOT-363 Package Outline Drawing



SYM	MILLIMETERS		INCHES	
	MIN	MAX	MIN	MAX
A	2.00	2.20	0.079	0.087
B	1.15	1.35	0.045	0.053
C	2.15	2.45	0.085	0.096
D	0.65 BSC		0.026 BSC	
E	0.15	0.35	0.006	0.014
F	0.90	1.10	0.035	0.043
G	0.00	0.10	0.000	0.004
H	0.08	0.15	0.003	0.006

## X-ON Electronics

Largest Supplier of Electrical and Electronic Components

*Click to view similar products for [ESD Suppressors / TVS Diodes](#) category:*

*Click to view products by [JESTEK](#) manufacturer:*

Other Similar products are found below :

[60KS200C](#) [D18V0L1B2LP-7B](#) [D5V0F4U5P5-7](#) [DESD5V0U1BB-7](#) [NTE4902](#) [P4KE27CA](#) [P6KE11CA](#) [P6KE39CA-TP](#) [P6KE8.2A](#)  
[SA110CA](#) [SA60CA](#) [SA64CA](#) [SMBJ12CATR](#) [SMBJ33CATR](#) [SMBJ8.0A](#) [ESD101-B1-02ELS E6327](#) [ESD105-B1-02EL E6327](#) [ESD112-B1-02EL E6327](#) [ESD119B1W01005E6327XTSA1](#) [ESD5V0L1B02VH6327XTSA1](#) [ESD7451N2T5G](#) [19180-510](#) [CPDT-5V0USP-HF](#)  
[3.0SMCJ33CA-F](#) [3.0SMCJ36A-F](#) [HSPC16701B02TP](#) [D3V3Q1B2DLP3-7](#) [D55V0M1B2WS-7](#) [DESD5V0U1BL-7B](#) [DRTR5V0U4SL-7](#)  
[SCM1293A-04SO](#) [ESD200-B1-CSP0201 E6327](#) [SM12-7](#) [SMLJ45CA-TP](#) [CEN955 W/DATA](#) [82350120560](#) [VESD12A1A-HD1-GS08](#)  
[CPDUR5V0R-HF](#) [CPDQC5V0U-HF](#) [CPDQC5V0USP-HF](#) [CPDQC5V0-HF](#) [D1213A-01LP4-7B](#) [D1213A-02WL-7](#) [MMAD1108/TR13](#)  
[5KP100A](#) [5KP15A](#) [5KP18A](#) [5KP48A](#) [5KP90A](#) [5KP90CA](#)