

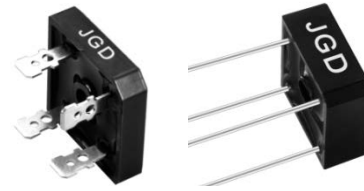


KBPC15/25/35 SERIES

High Current 15/25/35 Amps. Single Phase Glass Passivated Bridge Rectifiers

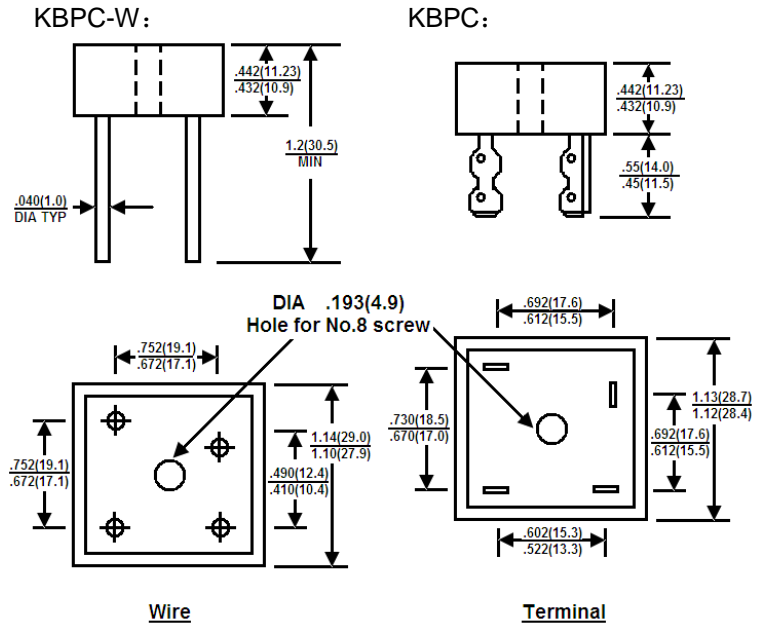
Features

- * Metal case with an electrically isolated mylar
- * High temperature soldering guaranteed:
260°C/10seconds at 5 lbs., (2.3kg) tension
- * Rating to 1000V PRV
- * High efficiency
- * Mounting: thru hole for #10 screw
- * Terminals solderable per MIL-STD-202 method 208
- * Isolated voltage from case to lead over 2000 volts



RoHS
COMPLIANT

Package Outline Dimensions in inches (millimeters)



Maximum Ratings and Electrical Characteristics

Rating at 25 °C ambient temperature unless otherwise specified. Single phase, half wave, 60 Hz, resistive or inductive load. For capacitive load, derate current by 20%.

Type Number	Symbols	-00	-01	-02	-04	-06	-08	-10	Unit
Maximum Recurrent Peak Reverse Voltage	V_{RRM}	50	100	200	400	600	800	1000	V
Maximum RMS Bridge Input Voltage	V_{RMS}	35	70	140	280	420	560	700	V
Maximum D.C Blocking Voltage	V_{DC}	50	100	200	400	600	800	1000	V
Maximum Average Forward Rectified Current @ $T_C=55^\circ C$	$I_{F(AV)}$	15.0 25.0 35.0							A
Peak Forward Surge Current, 8.3ms single half sine-wave superimposed on rated load(JEDEC method)	I_{FSM}	200 300 400							A
Maximum Instantaneous Forward Voltage Drop per Element at Specified Current	V_F	7.5A 12.5A 17.5A							V
Maximum Reverse Current at Rated D.C Blocking Voltage per Element	I_R	10							μA
Typical Thermal Resistance	$R_{\theta JC}$	2.0							$^\circ C/W$
Operating and Storage Temperature Range	T_J/T_{STG}	-55 to +150							$^\circ C$

Note: 1、 Thermal resistance from junction to case per leg. 2、 Suffix "W" –wire lead structure.

3、 Bolt down on heat sink with silicone thermal compound between bridge and mounting surface for maximum heat transfer with #10 screw.

Ratings and Characteristic Curves

FIG. 1 – TYPICAL FORWARD OUTPUT CURRENT DERATING CURVE

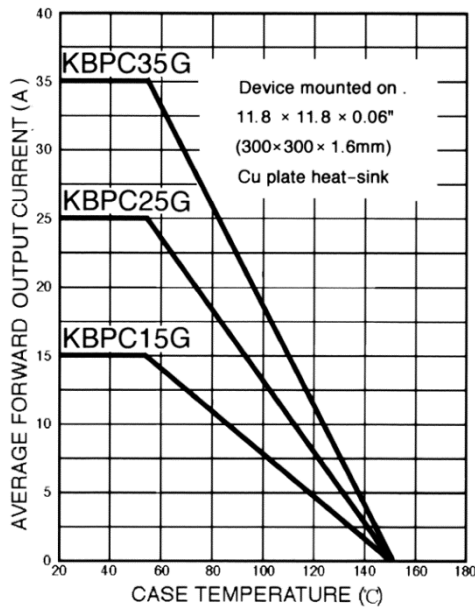


FIG. 2 – MAXIMUM NON-REPETITIVE SURGE CURRENT – PER ELEMENT

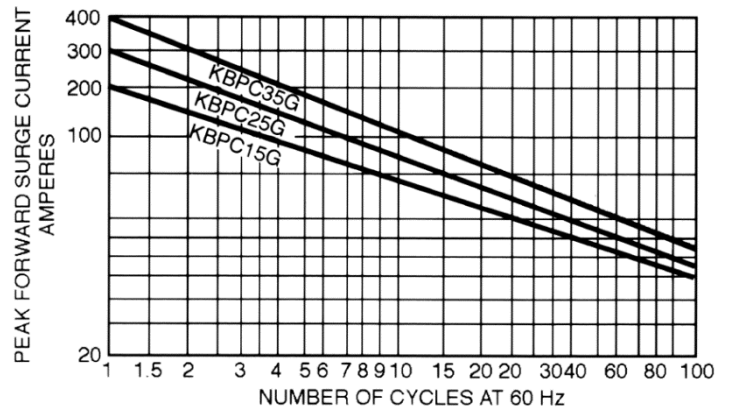


FIG. 3 – TYPICAL REVERSE CHARACTERISTICS PER ELEMENT

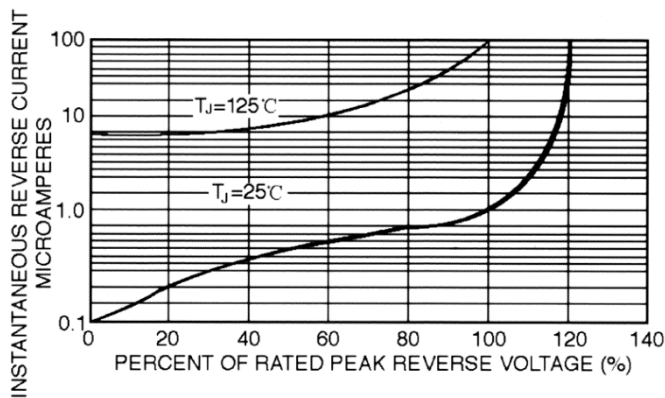
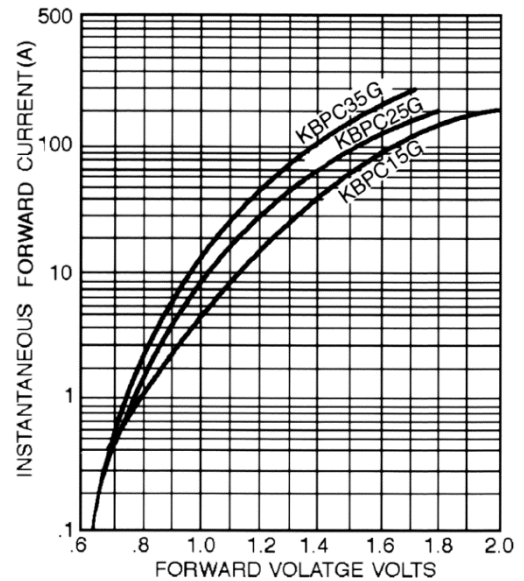


FIG. 4 – TYPICAL FORWARD CHARACTERISTICS – PER ELEMENT





KBPC15/25/35 SERIES

High Current 15/25/35 Amps. Single Phase Glass Passivated Bridge Rectifiers

Ordering Information

Part No.	Package	Packing
KBPC15/25/35 SERIES	KBPC(-W)	0.05K/Tray

X-ON Electronics

Largest Supplier of Electrical and Electronic Components

Click to view similar products for [Bridge Rectifiers](#) category:

Click to view products by [JGD SEMICONDUCTORS](#) manufacturer:

Other Similar products are found below :

[G3SBA60-E351](#) [GBJ1504-BP](#) [GBU10B-BP](#) [GBU15J-BP](#) [GBU15K-BP](#) [GBU4A-BP](#) [GBU4D-BP](#) [GBU6B-E3/45](#) [GSIB680-E3/45](#) [DB101-BP](#) [DF10SA-E345](#) [RMB2S](#) [RCG](#) [APT30DF100HJ](#) [APT60DF20HJ](#) [B2S-E3/80](#) [BU1506-E351](#) [BU15085S-E345](#) [BU1508-E3/45](#) [BU1510-E3/45](#) [RS404GL-BP](#) [RS405GL-BP](#) [G3SBA20-E3/51](#) [G5SBA20-E3/51](#) [G5SBA60-E3/51](#) [GBJ1502-BP](#) [GBL02-E351](#) [GBL10-E3/45](#) [GBU10J-BP](#) [GBU4J-BP](#) [GBU4K-BP](#) [GBU8B-E3/45](#) [GBU8D-BP](#) [GBU8J-BP](#) [GSIB1520-E3/45](#) [MB1510](#) [MB352W](#) [MB6M-G](#) [B2M-E345](#) [B40C7000A](#) [B500C7000A](#) [MP5010W-BP](#) [MP501W-BP](#) [MP502-BP](#) [BR1005-BP](#) [BR101-BP](#) [BU1006-E345](#) [BU12065S-E3/45](#) [BU1508-E3/51](#) [BU2006-E3/45](#) [BU2008-E345](#)