

49SSMD



Features

- External dimensions: 11.5 x 4.8 x 4.2mm.
- Frequency range: 3.579545MHz ~ 64MHz.
- Surface mount type crystal units.
- A great number of standard frequencies.
- High frequency pullability and low equivalent series resistance.
- Highly mass production capability.
- Applications: PC, STB, LCDM and Cable Modem.

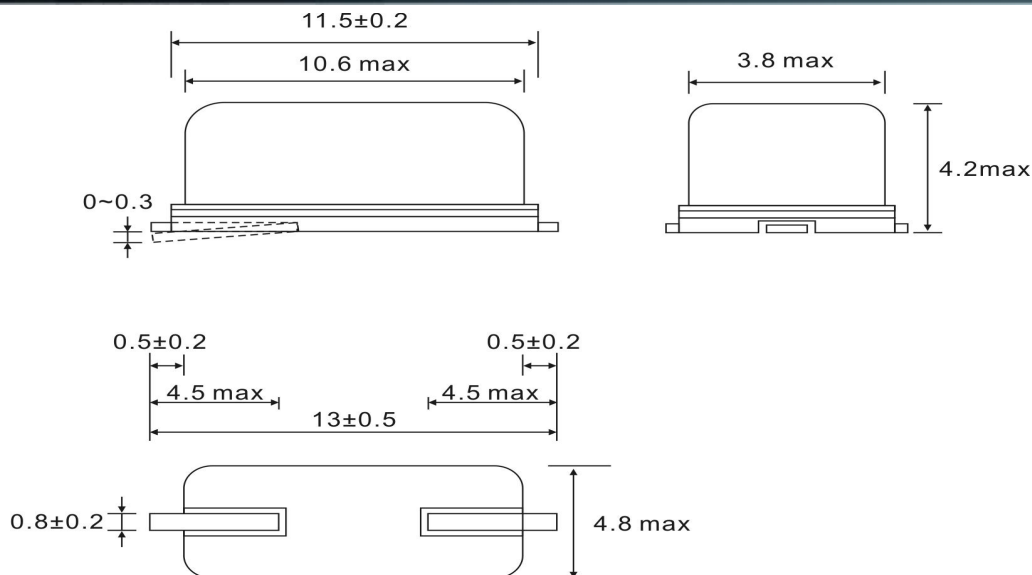
Electrical Specifications

| Item / Type | 49S SMD |
|--|---|
| Frequency Range | 3.2 ~ 50 MHz |
| Frequency Tolerance (at 25 °C) | ± 20ppm, or specify |
| Frequency Stability Over Operating Temperature Range | ± 20ppm, or specify |
| Operating Temperature Range | - 20 ~ +70 °C, or specify |
| Shunt Capacitance (C0) | 7 pF Max. |
| Drive Level | 1 ~ 500 uW (50 uW typical) |
| Load Capacitance | Series, 9 pF 12 pF 16 pF, 18 pF, 20 pF, 22 pF, or specify |
| Aging (at 25 °C) | ± 3 ppm / year Max. |
| Storage Temperature Range | - 40 ~ + 85 °C |

Equivalent Series Resistance

| Item / Type | | 49S SMD | |
|-----------------|-----------|-------------|-----------|
| 3.2 ~ 3.686 MHz | 300 Ω Max | 20 ~ 30 MHz | 40 Ω Max. |
| 3.686 ~ 5 MHz | 120 Ω Max | 30 ~ 50 MHz | 30 Ω Max. |
| 5 ~ 10 MHz | 70 Ω Max | | |
| 10 ~ 14 MHz | 60 Ω Max. | | |
| 14 ~ 20 MHz | 50 Ω Max. | | |

Dimensions



X-ON Electronics

Largest Supplier of Electrical and Electronic Components

Click to view similar products for [Crystals](#) category:

Click to view products by [JGHC](#) manufacturer:

Other Similar products are found below :

[CS325S24000000ABJT](#) [718-13.2-1](#) [MC405 32.0000K-R3:PURE SN](#) [FC-135R 32.7680KF-A3](#) [7A-40.000MAAE-T](#) [7B-27.000MBBK-T](#)
[FL2000085](#) [9B-15.360MBBK-B](#) [9C-7.680MBBK-T](#) [ASH7K-32.768KHZ](#) [AT-41.600MAGQ-T](#) [BTD1062E05A-513](#) [LFX TAL066198Cutt](#)
[9C-14.31818MBBK-T](#) [FA-238 50.0000MB30X-K3](#) [FC-12M 32.7680KA-AC3](#) [SSPT7F-9PF20-R](#) [FX325BS-38.88EEM1201](#)
[LFX TAL065253Cutt](#) [LFX TAL066431Cutt](#) [XT9S20ANA14M7456](#) [XT9SNLANA16M](#) [646G-24-2](#) [7A-24.576MBBK-T](#) [7B-30.000MBBK-T](#)
[WX26-32.768K-6PF](#) [9B-14.31818MBBK-B](#) [CD1AM](#) [7B-25.000MAAE-T](#) [7A-14.31818MBBK-T](#) [6504-202-1501](#) [6526-202-1501](#) [FA-118T](#)
[27.1200MB50P-K0](#) [FC-135R 32.7680KA-A3](#) [ABM12-104-37.400MHZT](#) [ABLS-10.000MHZ-D3W-T](#) [BTJ112E01E-513](#) [BTJ722K01C-7067](#)
[BTL-20-513](#) [TSX-3225 24.0000MF15X-AC](#) [TSX-3225 16.0000MF18X-AC](#) [BTJ120E02C](#) [BTL-12-513](#) [7A-10.000MBBK-T](#) [7A-](#)
[11.0592MBBK-T](#) [ABM12-103-24.000MHZT](#) [CS325S25000000ABJT](#) [ABM3B-25.000MHZ-B2-X-T](#) [FC-135 32.7680KA-A5](#) [FX0800015](#)