

# 承 认 书

SPECIFICATION FOR APPROVAL

客户名称: Customer \_\_\_\_\_

货 名: Description HC-49SSMD 石英晶体谐振器

客户料号: Part No \_\_\_\_\_

物料编号: Code No 9AT08000201080C3

频 率: Frequency 8.000MHz

日 期: Date 2020-07-10

备 注: RoHS compliance with Directive (EU) 2015/863

| 制作(Prepare by) | 检查(Check by) | 批准 (Approve by) |
|----------------|--------------|-----------------|
| 江丹娜            | 甘瑛           | 张刚              |

|                             |  |
|-----------------------------|--|
| 客户批准<br>Approve by customer |  |
| 批准日期<br>Approval date       |  |

Add:广东省深圳市华发北路桑达工业区桑达雅苑 7P

7 P Sangda Yayuan Huafa North Road, Futian District, Shenzhen, Guangdong

Tel: 86-755-83048260

86-755-83048290

Fax: 86-755-83048280

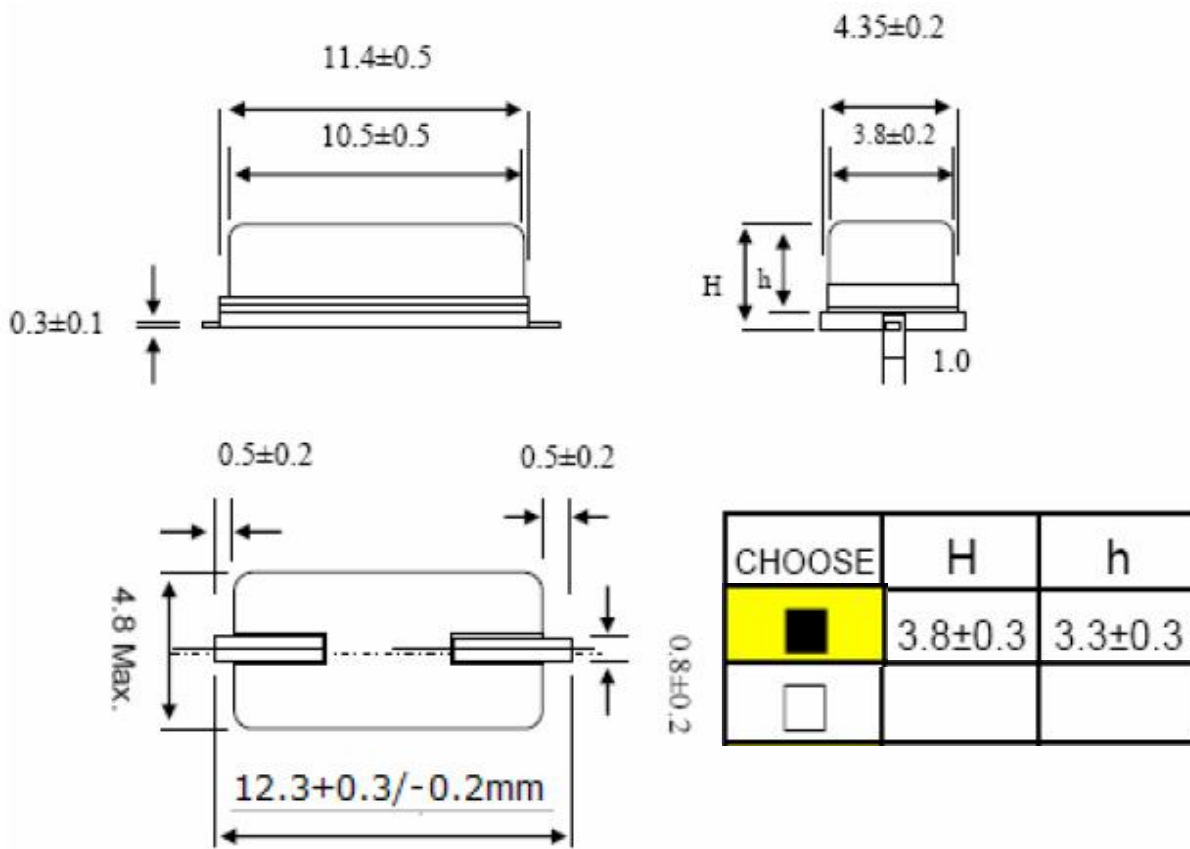
## 1、 Specifications

|    |                                      |                   |
|----|--------------------------------------|-------------------|
| 1  | 规格型号 Holder Type                     | HC-49SSMD         |
| 2  | 标称频率 Nominal Frequency               | 8.000MHz          |
| 3  | 振动模式 Mode of Oscillation             | 基频                |
| 4  | 调整频差 Frequency Tolerance at 25°C     | ±10ppm            |
| 5  | 温度频差 Temperature Frequency Stability | ±20ppm            |
| 6  | 工作温度 Operating Temperature Range     | -40~85°C          |
| 7  | 贮存温度 Storage Temperature Range       | -40~90°C          |
| 8  | 负载电容 Load Capacitance                | 20pF              |
| 9  | 静电容 Shunt capacitance                | ≤7 pF             |
| 10 | 等效电阻 Equivalent Series Resistance    | 80 Ω Max          |
| 11 | 激励功率 Drive Level                     | 10uW              |
| 12 | 绝缘阻抗 Insulation Resistance           | 500MΩ min./DC100V |

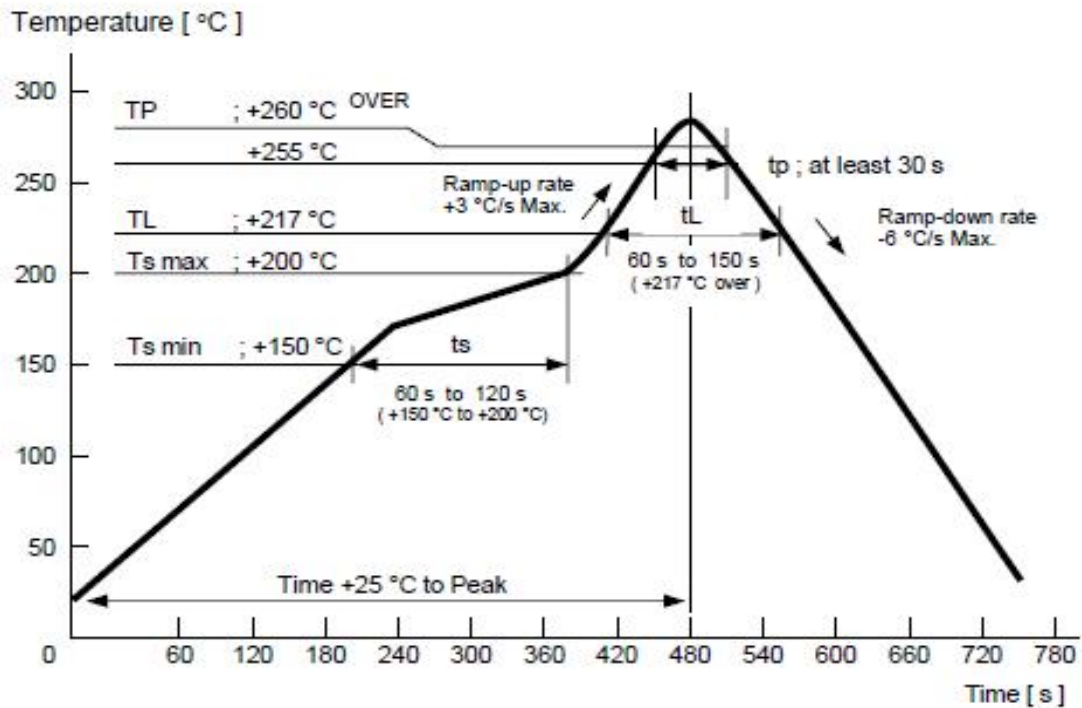
## 2、 Frequency stability over temperature range (AT cut)

| Temperature Range | Frequency Stability |       |         |        |        |        |        |        |
|-------------------|---------------------|-------|---------|--------|--------|--------|--------|--------|
|                   | ±3PPM               | ±5PPM | ±7.5PPM | ±10PPM | ±20PPM | ±30PPM | ±50PPM | ±70PPM |
| 0°C~+50°C         | ☆                   | ☆     | ☆       | ☆      | ☆      | ☆      | ☆      | ☆      |
| -10°C~+60°C       |                     |       | ☆       | ☆      | ☆      | ☆      | ☆      | ☆      |
| -20°C~+70°C       |                     |       |         | ☆      | ☆      | ☆      | ☆      | ☆      |
| -30°C~+70°C       |                     |       |         |        | ☆      | ☆      | ☆      | ☆      |
| -40°C~+85°C       |                     |       |         |        |        | ☆      | ☆      | ☆      |
| -40°C~+125°C      |                     |       |         |        |        | ☆      | ☆      | ☆      |

3、Dimensions (unit:mm)



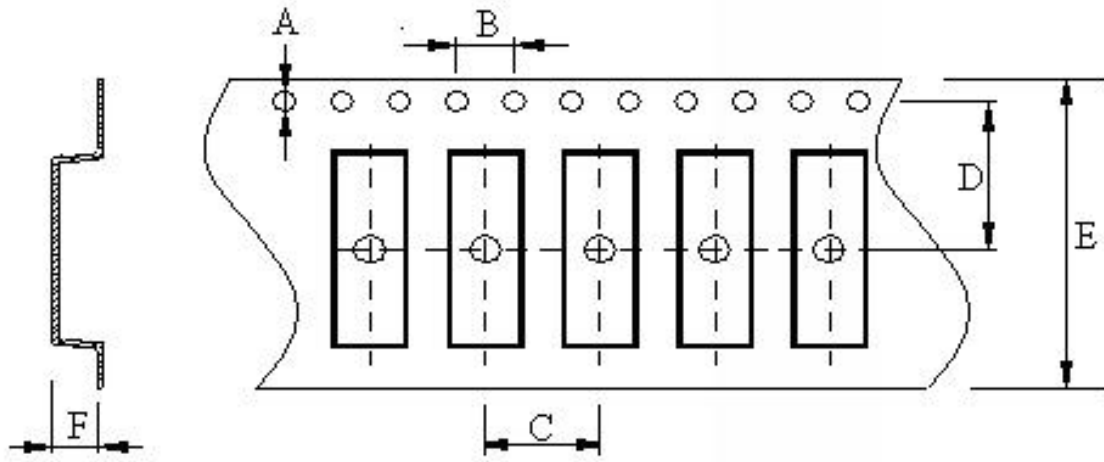
4、 Recommended Reflow profile



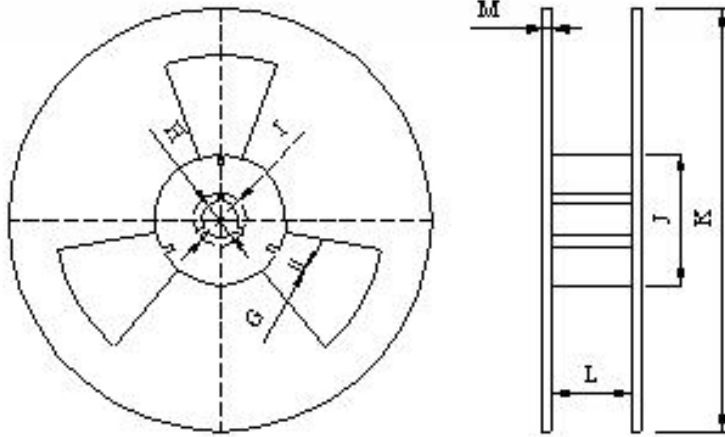
## 5、Reliability specifications

| NO | Item                         | Condition  | Standard   |
|----|------------------------------|--|--|
| 1. | Drop Test                    | Free drop from 50cm height on a hard wooden board for 3 times. (Board is thickness more than 30 mm.)                           | Frequency change:<br>≤5ppm<br>Rr as specification  |
| 2. | Mechanical Shock             | Half sine wave, 1000G, 0.5mS, three times for all 3 directions   | Frequency change:<br>≤5ppm<br>Rr as specification  |
| 3. | Vibration                    | Frequency range:10~55hz<br>Amplitude:1.52mm<br>Sweep time:1mintutes<br>perpendicular axes each test time:2Hrs                  | Frequency change:<br>≤5ppm<br>Rr as specification  |
| 4. | Solderability                | Temperature:245℃±5℃<br>Immersing depth:0.5mm minimum<br>Immersion time:5±1sec.<br>Flux:Rosin resin methyl alcohol solvent(1:4) | 90% exhibit tin ok                                 |
| 5. | Resistance to soldering heat | Test temperature:260℃±5℃<br>Test time :10±1sec.  | Frequency change:<br>≤10ppm<br>Rr as specification |
| 6. | High Temp & Humidity         | 85±3℃ & RH85%, 500±12 hours  | Frequency change:<br>≤10ppm<br>Rr as specification |
| 7. | Low temperature storage      | -40±3℃, 500±12 hours   | Frequency change:<br>≤10ppm<br>Rr as specification |
| 8. | High temperature storage     | +85±3℃, 500±12 hours   | Frequency change:<br>≤10ppm<br>Rr as specification |
| 9. | Temperature cycling          | -40±3℃/10min~+85±3℃/10min, 100cycles   | Frequency change:<br>≤10ppm<br>Rr as specification |

6、Tape & Reel ( unit: mm )



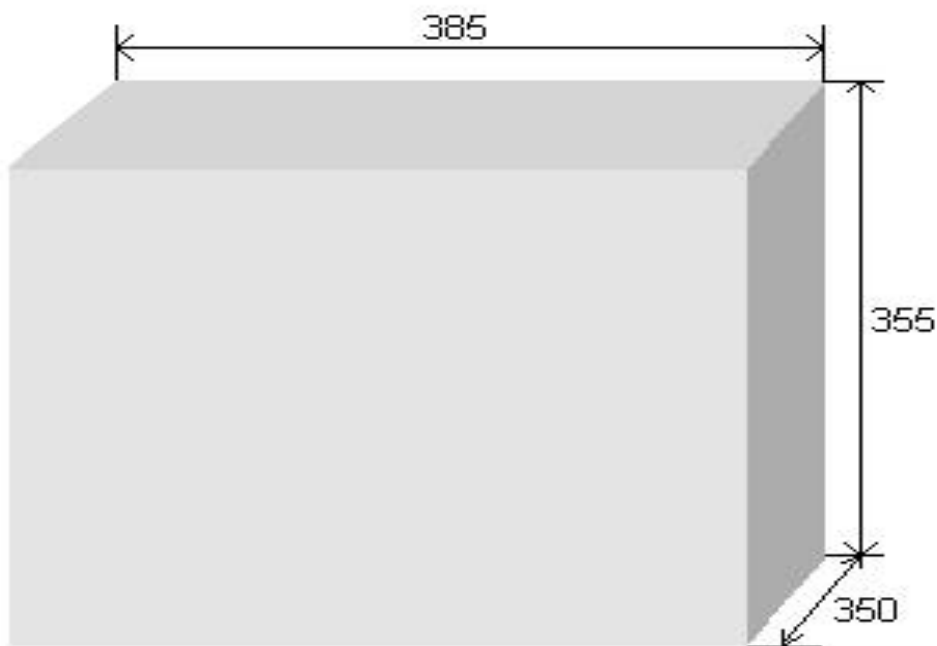
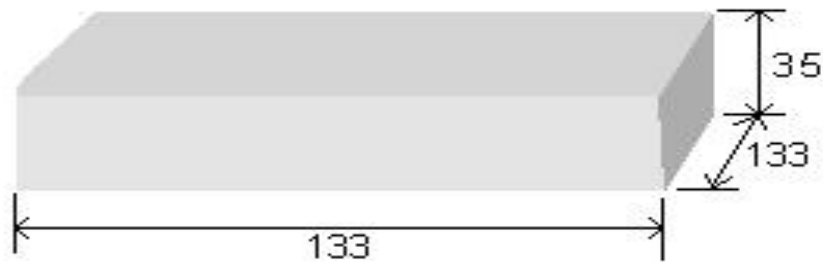
| A        | B       | C        | D        | E        | F       |
|----------|---------|----------|----------|----------|---------|
| 1.55±0.1 | 4.0±0.1 | 12.0±0.1 | 11.5±0.1 | 24.0±0.3 | 3.5±0.2 |



| G       | H        | I        | J         | K       | L        | M       |
|---------|----------|----------|-----------|---------|----------|---------|
| 2.2±0.5 | 13.0±0.2 | 20.2±1.0 | 100.0±1.0 | 330±2.0 | 24.5±0.3 | 2.3±0.5 |

## 7、Packing

1. 每盘数量 Capacity of a plastic reel : 1000 PCS
2. 每内箱数量 Capacity per inner box : 1000 PCS (A reel inner)
3. 每大箱数量 Capacity per outer carton : 10000 PCS (10× inner box) .



## X-ON Electronics

Largest Supplier of Electrical and Electronic Components

*Click to view similar products for [Resonators](#) category:*

*Click to view products by [JGHC](#) manufacturer:*

Other Similar products are found below :

[B39431R820H210](#) [CSAC2.00MGCM-TC](#) [ECS-HFR-40.00-B-TR](#) [CSTLS4M00G53Z-A0](#) [ZTB455E](#) [ECS-CR2-16.00-A-TR](#) [ECS-HFR-20.00-B-TR](#) [ECS-CR2-20.00-A-TR](#) [RO3164E-3](#) [ASR418S2-T](#) [CSTNE10M0G520000R0](#) [CSTLS8M00G53093-A0](#) [CSTNE12M0G52A000R0](#) [CSTLS18M4X54-A0](#) [CSTLS16M9X53Z-B0](#) [CSTLS24M0X51-A0](#) [CSTLS25M0X51-B0](#) [CSTLS18M0X51-B0](#) [CSTLS4M00G53093-A0](#) [CSTLS18M4X53-A0](#) [CSTNE16M0V510000R0](#) [CSTLS30M0X53-B0](#) [CSTLS33M8X53-B0](#) [CSTLS16M9X53-A0](#) [CSTLS6M40G56-B0](#) [CSTLS6M25G56-A0](#) [CSTNE14M7V510000R0](#) [CSTLS18M4X53-B0](#) [CSTLS33M0X51-B0](#) [CSTLS5M50G56-B0](#) [7B008000I01](#) [7D038400I01](#) [TAXM24M2ILDBET2T](#) [TAXM26M2IHDBET2T](#) [146-32.768-12.5-20-20/A](#) [3225-24.00-12-10-10/A](#) [7B009843M01](#) [CF4016M00009T8188042](#) [S32400001B0730D1JB](#) [X252016MLB4SI](#) [Q24FA20H00389](#) [CSTLS16M0X54-B0](#) [CSTLS4M19G56-B0](#) [9AC04194152080D2JB](#) [CST3.58MGW](#) [CSTCR4M91G55B-R0](#) [CSTLS3M68G56-B0](#) [S2100327072090](#) [FC-12M32.768KHZ9PF20PPM](#) [7Y032768NW2](#)