



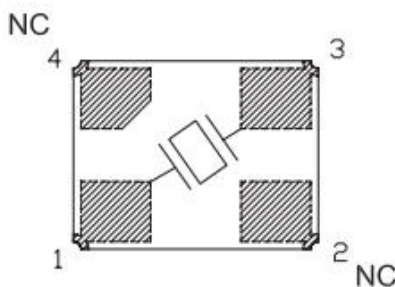
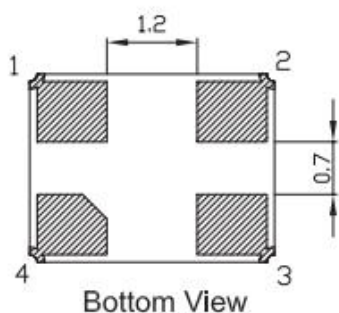
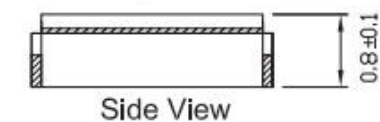
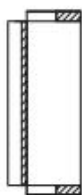
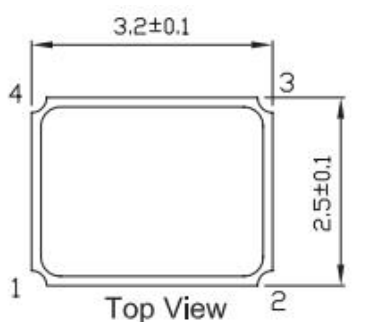
Features

- 4 pads SMD glass sealed crystal ;
- Applications in wireless communication ,DSC and USB interface card;
- Excellent heat resistance and environmental characteristics;
- Contains Pb in sealing glass exempted by RoHS directive.

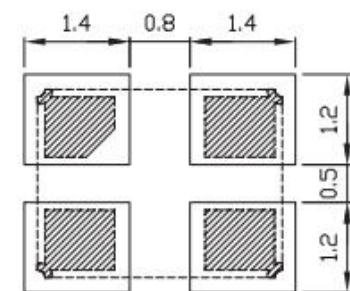
Crystals specifications

ITEMS (项目)	PARAMETER (规格说明)			
Frequency Range	10~12MHz	12~20MHz	20~28MHz	28~54MHz
Equivalent Series Resistance	120ΩMax.	80ΩMax.	60ΩMax.	50ΩMax.
Drive Level	1 ~ 50 μW (10 μW typical)			
Frequency Tolerance (at 25 °C)	± 30 ppm, or specify			
Frequency Stability Over Operating Temperature Range	± 30 ppm, or specify			
Operating Temperature Range	-10 ~ +70°C, or specify			
Shunt Capacitance (C0)	3 pF Max.			
Load Capacitance	8 pF, 10 pF, or specify			
Aging (at 25 °C)	± 3 ppm / year Max.			
Storage Temperature Range	- 40 ~ + 85 °C			
Packing Unit(包装单位)	3,000pcs/Reel			

Dimensions



Top View Suggested Connection



Top View Suggested Layout

Units: mm

X-ON Electronics

Largest Supplier of Electrical and Electronic Components

Click to view similar products for [Crystals category](#):

Click to view products by [JGHC manufacturer](#):

Other Similar products are found below :

[CS325S24000000ABJT](#) [718-13.2-1](#) [MC405 32.0000K-R3:PURE SN](#) [FC-135R 32.7680KF-A3](#) [7A-40.000MAAE-T](#) [7B-27.000MBBK-T](#)
[FL2000085](#) [9B-15.360MBBK-B](#) [9C-7.680MBBK-T](#) [ASH7K-32.768KHZ](#) [AT-41.600MAGQ-T](#) [BTD1062E05A-513](#) [LFX TAL066198Cutt](#)
[9C-14.31818MBBK-T](#) [FA-238 50.0000MB30X-K3](#) [FC-12M 32.7680KA-AC3](#) [SSPT7F-9PF20-R](#) [FX325BS-38.88EEM1201](#)
[LFX TAL065253Cutt](#) [LFX TAL066431Cutt](#) [XT9S20ANA14M7456](#) [XT9SNLANA16M](#) [646G-24-2](#) [7A-24.576MBBK-T](#) [7B-30.000MBBK-T](#)
[WX26-32.768K-6PF](#) [9B-14.31818MBBK-B](#) [CD1AM](#) [7B-25.000MAAE-T](#) [7A-14.31818MBBK-T](#) [6504-202-1501](#) [6526-202-1501](#) [FA-118T](#)
[27.1200MB50P-K0](#) [FC-135R 32.7680KA-A3](#) [ABM12-104-37.400MHZT](#) [ABLS-10.000MHZ-D3W-T](#) [BTJ112E01E-513](#) [BTJ722K01C-7067](#)
[BTL-20-513](#) [TSX-3225 24.0000MF15X-AC](#) [TSX-3225 16.0000MF18X-AC](#) [BTJ120E02C](#) [BTL-12-513](#) [7A-10.000MBBK-T](#) [7A-](#)
[11.0592MBBK-T](#) [ABM12-103-24.000MHZT](#) [CS325S25000000ABJT](#) [ABM3B-25.000MHZ-B2-X-T](#) [FC-135 32.7680KA-A5](#) [FX0800015](#)