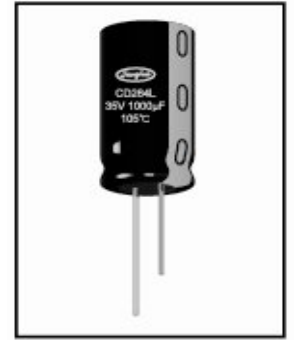
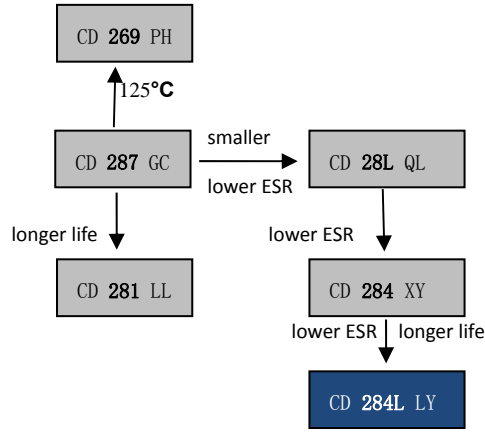


6000~10000h at 105°C

- Higher ripple current capability and smaller sizes than CD284 series
- Lower Impedance at high frequency
- Load life of 6000 to 10000hrs

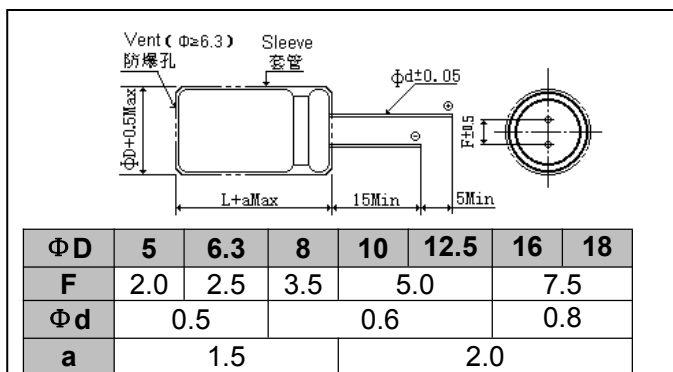


| Item  | Characteristics  |                   |      |      |      |      |      |      |      |    |     |                  |      |      |      |      |      |      |      |      |      |                  |    |    |   |   |   |   |   |   |   |
|---|--|-------------------|------|------|------|------|------|------|------|----|-----|------------------|------|------|------|------|------|------|------|------|------|------------------|----|----|---|---|---|---|---|---|---|
| Operating Temperature Range(°C)                         | -40 ~ +105   |                   |      |      |      |      |      |      |      |    |     |                  |      |      |      |      |      |      |      |      |      |                  |    |    |   |   |   |   |   |   |   |
| Rated Voltage Range (V)                                 | 6.3 ~ 100  |                   |      |      |      |      |      |      |      |    |     |                  |      |      |      |      |      |      |      |      |      |                  |    |    |   |   |   |   |   |   |   |
| Capacitance Range(µF)                                   | 8.2~8200   |                   |      |      |      |      |      |      |      |    |     |                  |      |      |      |      |      |      |      |      |      |                  |    |    |   |   |   |   |   |   |   |
| Capacitance Tolerance (20°C,120Hz)                      | ±20%   |                   |      |      |      |      |      |      |      |    |     |                  |      |      |      |      |      |      |      |      |      |                  |    |    |   |   |   |   |   |   |   |
| Leakage Current (µA)                                    | After 2 minutes at 20°C application of rated voltage, leakage current is not more than 0.01CV or 3, whichever is greater.<br>C:Nominal Capacitance(µF) V:Rated Voltage(V)  |                   |      |      |      |      |      |      |      |    |     |                  |      |      |      |      |      |      |      |      |      |                  |    |    |   |   |   |   |   |   |   |
| Dissipation Factor (20°C, 120Hz)                        | <table border="1"> <thead> <tr> <th>Rated Voltage (V)</th> <th>6.3</th> <th>10</th> <th>16</th> <th>25</th> <th>35</th> <th>50</th> <th>63</th> <th>80</th> <th>100</th> </tr> </thead> <tbody> <tr> <td>Tan δ(max)</td> <td>0.22</td> <td>0.19</td> <td>0.16</td> <td>0.14</td> <td>0.12</td> <td>0.10</td> <td>0.09</td> <td>0.08</td> <td>0.08</td> </tr> </tbody> </table> <p>For Capacitances&gt;1000µF add 0.02 to every 1000µF</p>  | Rated Voltage (V) | 6.3  | 10   | 16   | 25   | 35   | 50   | 63   | 80 | 100 | Tan δ(max)       | 0.22 | 0.19 | 0.16 | 0.14 | 0.12 | 0.10 | 0.09 | 0.08 | 0.08 |                  |    |    |   |   |   |   |   |   |   |
| Rated Voltage (V)                                       | 6.3  | 10                | 16   | 25   | 35   | 50   | 63   | 80   | 100  |    |     |                  |      |      |      |      |      |      |      |      |      |                  |    |    |   |   |   |   |   |   |   |
| Tan δ(max)  | 0.22   | 0.19              | 0.16 | 0.14 | 0.12 | 0.10 | 0.09 | 0.08 | 0.08 |    |     |                  |      |      |      |      |      |      |      |      |      |                  |    |    |   |   |   |   |   |   |   |
| Stability at Low Temperature (Impedance Ratio at 120Hz) | <table border="1"> <thead> <tr> <th>Rated Voltage(V)</th> <th>6.3</th> <th>10</th> <th>16</th> <th>25</th> <th>35</th> <th>50</th> <th>63</th> <th>80</th> <th>100</th> </tr> </thead> <tbody> <tr> <td>Z -25°C/ Z +20°C</td> <td>4</td> <td>3</td> <td>2</td> <td>2</td> <td>2</td> <td>2</td> <td>2</td> <td>2</td> <td>2</td> </tr> <tr> <td>Z -40°C/ Z +20°C</td> <td>12</td> <td>10</td> <td>8</td> <td>6</td> <td>4</td> <td>3</td> <td>3</td> <td>3</td> <td>3</td> </tr> </tbody> </table> | Rated Voltage(V)  | 6.3  | 10   | 16   | 25   | 35   | 50   | 63   | 80 | 100 | Z -25°C/ Z +20°C | 4    | 3    | 2    | 2    | 2    | 2    | 2    | 2    | 2    | Z -40°C/ Z +20°C | 12 | 10 | 8 | 6 | 4 | 3 | 3 | 3 | 3 |
| Rated Voltage(V)  | 6.3  | 10                | 16   | 25   | 35   | 50   | 63   | 80   | 100  |    |     |                  |      |      |      |      |      |      |      |      |      |                  |    |    |   |   |   |   |   |   |   |
| Z -25°C/ Z +20°C  | 4  | 3                 | 2    | 2    | 2    | 2    | 2    | 2    | 2    |    |     |                  |      |      |      |      |      |      |      |      |      |                  |    |    |   |   |   |   |   |   |   |
| Z -40°C/ Z +20°C  | 12   | 10                | 8    | 6    | 4    | 3    | 3    | 3    | 3    |    |     |                  |      |      |      |      |      |      |      |      |      |                  |    |    |   |   |   |   |   |   |   |

|   | Useful Life   |  | Load Life  | Endurance Life   | Shelf Life   |
|---|---|--|--|--|--|
| <b>Lifetime</b>   | φ ≤6.3: 8000h<br>φ =8: 10000h<br>φ ≥10:12000h         | φ >8:110000h                                 | φ ≤6.3: 6000h<br>φ =8: 8000h<br>φ ≥10:10000h           | φ ≤6.3: 7000h<br>φ =8: 10000h<br>φ ≥10:12000h          | 500h   |
| <b>Leakage Current</b>  | Not more than specified value                         |  | Not more than specified value                          | Not more than specified value                          | Not more than specified value  |
| <b>Capacitance Change</b>   | Within ±30% of initial value (6.3V,10V,±40%)          |  | Within ±25% of initial value (6.3V,10V,±30%)           | Within ±25% of initial value (6.3V,10V,±30%)           | Within ±20% of initial value   |
| <b>Dissipation Factor</b>   | No more than 300% of specified value (6.3V,10V,±400%) |  | Not more than 200% of specified value (6.3V,10V,±300%) | Not more than 200% of specified value (6.3V,10V,±300%) | Not more than 200% of specified value  |
| <b>Condition:<br/>Applied Voltage<br/>Applied Current<br/>Applied Temperature</b> | U <sub>R</sub><br>I <sub>R</sub><br>105°C             | U <sub>R</sub><br>1.4xI <sub>R</sub><br>60°C | U <sub>R</sub><br>I <sub>R</sub><br>105°C              | U <sub>R</sub><br>I <sub>R</sub> = 0<br>105°C          | After test:<br>U <sub>R</sub> to be applied for 30min>24h before measurement<br>U <sub>R</sub> =0<br>I <sub>R</sub> = 0<br>105°C |

## Dimensions

mm



## Frequency Coefficient

| Frequency Cap (µF) | 120Hz | 1kHz | 10kHz | 100kHz |
|--------------------|-------|------|-------|--------|
| 8.2~33             | 0.42  | 0.70 | 0.90  | 1.00   |
| 47~270             | 0.50  | 0.73 | 0.92  | 1.00   |
| 330~680            | 0.55  | 0.77 | 0.94  | 1.00   |
| 820~1800           | 0.60  | 0.80 | 0.96  | 1.00   |
| 2200~6800          | 0.70  | 0.85 | 0.98  | 1.00   |

## Temperature Coefficient

| Temperature(°C) | ≤65 | +85 | +105 |
|-----------------|-----|-----|------|
| Coefficient     | 2.0 | 1.7 | 1.0  |

## Ratings for CD 284L LY Series

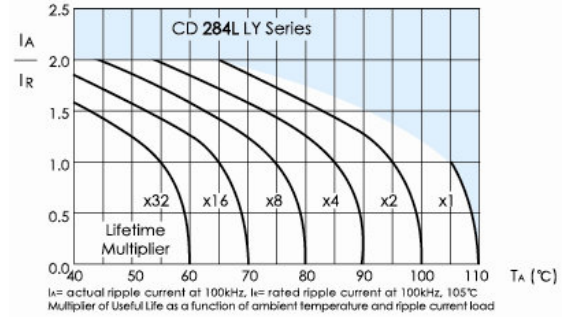
| U <sub>R</sub><br>(Surge Voltage)<br>Code | Rated Capacitance         | Max ESR<br>20°C,<br>120Hz | Max Imp<br>20°C,<br>100kHz | Max Imp<br>-10°C,<br>100kHz | Rated Ripple Current<br>105°C,<br>100kHz | Size<br>ΦD×L | P/N                 |
|---|---------------------------|---------------------------|----------------------------|-----------------------------|--|--------------|---------------------|
| (v)                                       | (μF)                      | (Ω)                       | (Ω)                        | (Ω)                         | (mA <sub>RMS</sub> )                     | (mm)         | -                   |
| <b>6.3<br/>(7.2)<br/>0J</b>               | 220                       | 1.327                     | 0.22                       | 0.80                        | 345                                      | 5×11.5       | ECR0JLY221M□□050011 |
|   | 470                       | 0.621                     | 0.094                      | 0.35                        | 540                                      | 6.3×11.5     | ECR0JLY471M□□063011 |
|   | 820                       | 0.356                     | 0.056                      | 0.19                        | 945                                      | 8×11.5       | ECR0JLY821M□□080011 |
|   | 1200                      | 0.243                     | 0.045                      | 0.15                        | 1250                                     | 8×16         | ECR0JLY122M□□080016 |
|   | 1200                      | 0.243                     | 0.039                      | 0.14                        | 1330                                     | 10×12.5      | ECR0JLY122M□□100012 |
|   | 1500                      | 0.195                     | 0.029                      | 0.11                        | 1500                                     | 8×20         | ECR0JLY152M□□080020 |
|   | 1800                      | 0.162                     | 0.028                      | 0.10                        | 1760                                     | 10×16        | ECR0JLY182M□□100016 |
|   | 2200                      | 0.145                     | 0.020                      | 0.060                       | 1960                                     | 10×20        | ECR0JLY222M□□100020 |
|   | 2700                      | 0.118                     | 0.018                      | 0.054                       | 2250                                     | 10×25        | ECR0JLY272M□□100025 |
|   | 3900                      | 0.088                     | 0.017                      | 0.043                       | 2480                                     | 12.5×20      | ECR0JLY392M□□125020 |
|   | 4700                      | 0.079                     | 0.015                      | 0.038                       | 2900                                     | 12.5×25      | ECR0JLY472M□□125025 |
|   | 5600                      | 0.071                     | 0.013                      | 0.033                       | 3450                                     | 12.5×30      | ECR0JLY562M□□125030 |
|   | 6800                      | 0.062                     | 0.015                      | 0.038                       | 3250                                     | 16×20        | ECR0JLY682M□□160020 |
|   | 6800                      | 0.062                     | 0.012                      | 0.031                       | 3570                                     | 12.5×35      | ECR0JLY682M□□125035 |
|   | 8200                      | 0.058                     | 0.013                      | 0.035                       | 2630                                     | 16×25        | ECR0JLY822M□□160025 |
|   | <b>10<br/>(13)<br/>1A</b> | 150                       | 1.681                      | 0.22                        | 0.80                                     | 345          | 5×11.5              |
| 330                                       |                           | 0.764                     | 0.094                      | 0.35                        | 540                                      | 6.3×11.5     | ECR1ALY331M□□063011 |
| 680                                       |                           | 0.371                     | 0.056                      | 0.19                        | 945                                      | 8×11.5       | ECR1ALY681M□□080011 |
| 1000                                      |                           | 0.252                     | 0.045                      | 0.15                        | 1250                                     | 8×16         | ECR1ALY102M□□080016 |
| 1000                                      |                           | 0.252                     | 0.039                      | 0.14                        | 1330                                     | 10×12.5      | ECR1ALY102M□□100012 |
| 1500                                      |                           | 0.168                     | 0.029                      | 0.11                        | 1500                                     | 8×20         | ECR1ALY152M□□080020 |
| 1500                                      |                           | 0.168                     | 0.028                      | 0.10                        | 1760                                     | 10×16        | ECR1ALY152M□□100016 |
| 1800                                      |                           | 0.140                     | 0.020                      | 0.060                       | 1960                                     | 10×20        | ECR1ALY182M□□100020 |
| 2200                                      |                           | 0.127                     | 0.018                      | 0.054                       | 2250                                     | 10×25        | ECR1ALY222M□□100025 |
| 3300                                      |                           | 0.092                     | 0.017                      | 0.043                       | 2480                                     | 12.5×20      | ECR1ALY332M□□125020 |
| 3900                                      |                           | 0.078                     | 0.015                      | 0.038                       | 2900                                     | 12.5×25      | ECR1ALY392M□□125025 |
| 4700                                      |                           | 0.071                     | 0.013                      | 0.033                       | 3450                                     | 12.5×30      | ECR1ALY472M□□125030 |
| 4700                                      |                           | 0.071                     | 0.015                      | 0.038                       | 3250                                     | 16×20        | ECR1ALY472M□□160020 |
| 5600                                      |                           | 0.064                     | 0.012                      | 0.031                       | 3570                                     | 12.5×35      | ECR1ALY562M□□125035 |
| 6800                                      |                           | 0.057                     | 0.013                      | 0.035                       | 3630                                     | 16×25        | ECR1ALY682M□□160025 |
| <b>16<br/>(20)<br/>1C</b>                 |                           | 100                       | 2.123                      | 0.22                        | 0.80                                     | 345          | 5×11.5              |
|   | 220                       | 0.965                     | 0.094                      | 0.35                        | 540                                      | 6.3×11.5     | ECR1CLY221M□□063011 |
|   | 470                       | 0.452                     | 0.056                      | 0.19                        | 945                                      | 8×11.5       | ECR1CLY471M□□080011 |
|   | 680                       | 0.312                     | 0.045                      | 0.15                        | 1250                                     | 8×16         | ECR1CLY681M□□080016 |
|   | 680                       | 0.312                     | 0.039                      | 0.14                        | 1330                                     | 10×12.5      | ECR1CLY681M□□100012 |
|   | 1000                      | 0.212                     | 0.029                      | 0.11                        | 1500                                     | 8×20         | ECR1CLY102M□□080020 |
|   | 1000                      | 0.212                     | 0.028                      | 0.10                        | 1760                                     | 10×16        | ECR1CLY102M□□100016 |
|   | 1500                      | 0.142                     | 0.020                      | 0.060                       | 1960                                     | 10×20        | ECR1CLY152M□□100020 |
|   | 1800                      | 0.118                     | 0.018                      | 0.054                       | 2250                                     | 10×25        | ECR1CLY182M□□100025 |
|   | 2200                      | 0.109                     | 0.017                      | 0.043                       | 2480                                     | 12.5×20      | ECR1CLY222M□□125020 |
|   | 2700                      | 0.088                     | 0.015                      | 0.038                       | 2900                                     | 12.5×25      | ECR1CLY272M□□125025 |
|   | 3300                      | 0.080                     | 0.013                      | 0.033                       | 3450                                     | 12.5×30      | ECR1CLY332M□□125030 |
|   | 3300                      | 0.080                     | 0.015                      | 0.038                       | 3250                                     | 16×20        | ECR1CLY332M□□160020 |
|   | 3900                      | 0.068                     | 0.012                      | 0.031                       | 3570                                     | 12.5×35      | ECR1CLY392M□□125035 |
|   | 4700                      | 0.062                     | 0.013                      | 0.035                       | 3630                                     | 16×25        | ECR1CLY472M□□160025 |
|   | <b>25<br/>(32)<br/>1E</b> | 68                        | 2.732                      | 0.22                        | 0.80                                     | 345          | 5×11.5              |
| 150                                       |                           | 1.238                     | 0.094                      | 0.35                        | 540                                      | 6.3×11.5     | ECR1ELY151M□□063011 |
| 330                                       |                           | 0.563                     | 0.056                      | 0.19                        | 945                                      | 8×11.5       | ECR1ELY331M□□080011 |
| 390                                       |                           | 0.476                     | 0.045                      | 0.15                        | 1250                                     | 8×16         | ECR1ELY391M□□080016 |
| 470                                       |                           | 0.395                     | 0.039                      | 0.14                        | 1330                                     | 10×12.5      | ECR1ELY471M□□100012 |
| 560                                       |                           | 0.332                     | 0.029                      | 0.11                        | 1500                                     | 8×20         | ECR1ELY561M□□080020 |
| 680                                       |                           | 0.273                     | 0.028                      | 0.10                        | 1760                                     | 10×16        | ECR1ELY681M□□100016 |
| 820                                       |                           | 0.227                     | 0.020                      | 0.060                       | 1960                                     | 10×20        | ECR1ELY821M□□100020 |
| 1000                                      |                           | 0.186                     | 0.018                      | 0.054                       | 2250                                     | 10×25        | ECR1ELY102M□□100025 |
| 1500                                      |                           | 0.124                     | 0.017                      | 0.043                       | 2480                                     | 12.5×20      | ECR1ELY152M□□125020 |
| 1800                                      |                           | 0.103                     | 0.015                      | 0.038                       | 2900                                     | 12.5×25      | ECR1ELY182M□□125025 |
| 2200                                      |                           | 0.097                     | 0.013                      | 0.033                       | 3450                                     | 12.5×30      | ECR1ELY222M□□125030 |
| 2200                                      |                           | 0.097                     | 0.015                      | 0.038                       | 3250                                     | 16×20        | ECR1ELY222M□□160020 |
| 2700                                      |                           | 0.079                     | 0.012                      | 0.031                       | 3570                                     | 12.5×35      | ECR1ELY272M□□125035 |
| 3300                                      |                           | 0.072                     | 0.013                      | 0.035                       | 3630                                     | 16×25        | ECR1ELY332M□□160025 |

| U <sub>R</sub><br>(Surge Voltage)<br>Code | Rated Capacitance         | Max. ESR<br>20°C,<br>120Hz | Max Imp<br>20°C,<br>100kHz | Max Imp<br>-10°C,<br>100kHz | Rated Ripple Current<br>105°C,<br>100kHz | Size<br>ΦD×L        | P/N                 |
|---|---------------------------|----------------------------|----------------------------|-----------------------------|--|---------------------|---------------------|
| (v)                                       | (μF)                      | (Ω)                        | (Ω)                        | (Ω)                         | (mA <sub>RMS</sub> )                     | (mm)                | -                   |
| <b>35<br/>(44)<br/>1V</b>                 | 47                        | 3.388                      | 0.22                       | 0.80                        | 345                                      | 5×11.5              | ECR1VLY470M□□050011 |
|   | 100                       | 1.592                      | 0.094                      | 0.35                        | 540                                      | 6.3×11.5            | ECR1VLY101M□□063011 |
|   | 220                       | 0.724                      | 0.056                      | 0.19                        | 945                                      | 8×11.5              | ECR1VLY221M□□080011 |
|   | 270                       | 0.590                      | 0.045                      | 0.15                        | 1250                                     | 8×16                | ECR1VLY271M□□080016 |
|   | 330                       | 0.483                      | 0.039                      | 0.14                        | 1330                                     | 10×12.5             | ECR1VLY331M□□100012 |
|   | 390                       | 0.408                      | 0.029                      | 0.11                        | 1500                                     | 8×20                | ECR1VLY391M□□080020 |
|   | 470                       | 0.339                      | 0.028                      | 0.10                        | 1760                                     | 10×16               | ECR1VLY471M□□100016 |
|   | 560                       | 0.284                      | 0.020                      | 0.060                       | 1960                                     | 10×20               | ECR1VLY561M□□100020 |
|   | 680                       | 0.234                      | 0.018                      | 0.054                       | 2250                                     | 10×25               | ECR1VLY681M□□100025 |
|   | 1000                      | 0.159                      | 0.017                      | 0.043                       | 2480                                     | 12.5×20             | ECR1VLY102M□□125020 |
|   | 1200                      | 0.133                      | 0.015                      | 0.038                       | 2900                                     | 12.5×25             | ECR1VLY122M□□125025 |
|   | 1500                      | 0.106                      | 0.013                      | 0.033                       | 3450                                     | 12.5×30             | ECR1VLY152M□□125030 |
|   | 1500                      | 0.106                      | 0.015                      | 0.038                       | 3250                                     | 16×20               | ECR1VLY152M□□160020 |
|   | 1800                      | 0.088                      | 0.012                      | 0.031                       | 3570                                     | 12.5×35             | ECR1VLY182M□□125035 |
|   | 2200                      | 0.084                      | 0.013                      | 0.035                       | 2630                                     | 16×25               | ECR1VLY222M□□160025 |
|   | <b>50<br/>(63)<br/>1H</b> | 27                         | 4.915                      | 0.34                        | 1.18                                     | 238                 | 5×11.5              |
| 56  |                           | 2.370                      | 0.14                       | 0.50                        | 385                                      | 6.3×11.5            | ECR1HLY560M□□063011 |
| 100                                       |                           | 1.327                      | 0.074                      | 0.22                        | 724                                      | 8×11.5              | ECR1HLY101M□□080011 |
| 120                                       |                           | 1.106                      | 0.061                      | 0.18                        | 950                                      | 8×16                | ECR1HLY121M□□080016 |
| 150                                       |                           | 0.885                      | 0.061                      | 0.18                        | 979                                      | 10×12.5             | ECR1HLY151M□□100012 |
| 180                                       |                           | 0.737                      | 0.046                      | 0.14                        | 1190                                     | 8×20                | ECR1HLY181M□□080020 |
| 220                                       |                           | 0.603                      | 0.042                      | 0.12                        | 1370                                     | 10×16               | ECR1HLY221M□□100016 |
| 270                                       |                           | 0.491                      | 0.030                      | 0.090                       | 1580                                     | 10×20               | ECR1HLY271M□□100020 |
| 330                                       |                           | 0.402                      | 0.028                      | 0.085                       | 1870                                     | 10×25               | ECR1HLY331M□□100025 |
| 470                                       |                           | 0.282                      | 0.027                      | 0.068                       | 2050                                     | 12.5×20             | ECR1HLY471M□□125020 |
| 560                                       |                           | 0.237                      | 0.023                      | 0.059                       | 2410                                     | 12.5×25             | ECR1HLY561M□□125025 |
| 680                                       |                           | 0.195                      | 0.021                      | 0.052                       | 2860                                     | 12.5×30             | ECR1HLY681M□□125030 |
| 820                                       |                           | 0.162                      | 0.023                      | 0.059                       | 2730                                     | 16×20               | ECR1HLY821M□□160020 |
| 820                                       |                           | 0.162                      | 0.019                      | 0.051                       | 2960                                     | 12.5×35             | ECR1HLY821M□□125035 |
| 1000                                      |                           | 0.133                      | 0.021                      | 0.056                       | 3010                                     | 16×25               | ECR1HLY102M□□160025 |
| <b>63<br/>(79)<br/>1J</b>                 |                           | 15                         | 7.962                      | 0.88                        | 3.5                                      | 173                 | 5×11.5              |
|   | 33                        | 3.619                      | 0.35                       | 1.4                         | 278                                      | 6.3×11.5            | ECR1JLY330M□□063011 |
|   | 82                        | 1.456                      | 0.22                       | 0.88                        | 525                                      | 8×11.5              | ECR1JLY820M□□080011 |
|   | 100                       | 1.194                      | 0.16                       | 0.64                        | 688                                      | 8×16                | ECR1JLY101M□□080016 |
|   | 120                       | 0.995                      | 0.15                       | 0.60                        | 725                                      | 10×12.5             | ECR1JLY121M□□100012 |
|   | 150                       | 0.796                      | 0.12                       | 0.48                        | 861                                      | 8×20                | ECR1JLY151M□□080020 |
|   | 180                       | 0.663                      | 0.11                       | 0.44                        | 998                                      | 10×16               | ECR1JLY181M□□100016 |
|   | 220                       | 0.543                      | 0.078                      | 0.31                        | 1200                                     | 10×20               | ECR1JLY221M□□100020 |
|   | 330                       | 0.362                      | 0.069                      | 0.28                        | 1410                                     | 10×25               | ECR1JLY331M□□100025 |
|   | 390                       | 0.306                      | 0.060                      | 0.19                        | 1570                                     | 12.5×20             | ECR1JLY391M□□125020 |
|   | 470                       | 0.254                      | 0.043                      | 0.14                        | 1990                                     | 12.5×25             | ECR1JLY471M□□125025 |
|   | 560                       | 0.213                      | 0.035                      | 0.13                        | 2410                                     | 12.5×30             | ECR1JLY561M□□125030 |
|   | 560                       | 0.213                      | 0.043                      | 0.14                        | 2100                                     | 16×20               | ECR1JLY561M□□160020 |
|   | 680                       | 0.176                      | 0.033                      | 0.11                        | 2620                                     | 12.5×35             | ECR1JLY681M□□125035 |
|   | 820                       | 0.146                      | 0.027                      | 0.090                       | 2940                                     | 12.5×40             | ECR1JLY821M□□125040 |
|   | 820                       | 0.146                      | 0.032                      | 0.096                       | 2730                                     | 16×25               | ECR1JLY821M□□160025 |
| 820                                       | 0.146                     | 0.038                      | 0.10                       | 2500                        | 18×20                                    | ECR1JLY821M□□180020 |                     |
| 1200                                      | 0.100                     | 0.024                      | 0.068                      | 2990                        | 16×31.5                                  | ECR1JLY122M□□160031 |                     |
| 1200                                      | 0.100                     | 0.031                      | 0.084                      | 2800                        | 18×25                                    | ECR1JLY122M□□180025 |                     |
| 1500                                      | 0.080                     | 0.021                      | 0.057                      | 3040                        | 16×35.5                                  | ECR1JLY152M□□160035 |                     |
| 1500                                      | 0.080                     | 0.025                      | 0.068                      | 3300                        | 18×31.5                                  | ECR1JLY152M□□180031 |                     |
| 1800                                      | 0.066                     | 0.020                      | 0.054                      | 3570                        | 18×35.5                                  | ECR1JLY182M□□180035 |                     |
| 2200                                      | 0.066                     | 0.018                      | 0.049                      | 3670                        | 18×40                                    | ECR1JLY222M□□180040 |                     |

## Ratings for CD 284L LY Series

| U <sub>R</sub><br>(Surge<br>Voltage)<br>Code | Rated<br>Capacitance | Max ESR<br>20°C,<br>120Hz | Max Imp<br>20°C,<br>100kHz | Max Imp<br>-10°C,<br>100kHz | Rated Ripple<br>Current<br>105°C, 100kHz | Size<br>ΦD×L        | P/N                 |
|--|----------------------|---------------------------|----------------------------|-----------------------------|--|---------------------|---------------------|
| (v)  | (μF)                 | (Ω)                       | (Ω)                        | (Ω)                         | (mA <sub>rms</sub> )                     | (mm)                | -                   |
| <b>80<br/>(100)<br/>1K</b>                   | 12                   | 8.846                     | 1.4                        | 5.6                         | 163                                      | 5×11.5              | ECR1KLY120M□□050011 |
|  | 33                   | 3.217                     | 0.57                       | 2.3                         | 267                                      | 6.3×11.5            | ECR1KLY330M□□063011 |
|  | 56                   | 1.896                     | 0.36                       | 1.4                         | 462                                      | 8×11.5              | ECR1KLY560M□□080011 |
|  | 68                   | 1.561                     | 0.25                       | 1.0                         | 585                                      | 8×16                | ECR1KLY680M□□080016 |
|  | 82                   | 1.295                     | 0.23                       | 0.96                        | 624                                      | 10×12.5             | ECR1KLY820M□□100012 |
|  | 100                  | 1.062                     | 0.19                       | 0.76                        | 735                                      | 8×20                | ECR1KLY101M□□080020 |
|  | 120                  | 0.885                     | 0.17                       | 0.72                        | 780                                      | 10×16               | ECR1KLY121M□□100016 |
|  | 180                  | 0.590                     | 0.12                       | 0.52                        | 1040                                     | 10×20               | ECR1KLY181M□□100020 |
|  | 220                  | 0.483                     | 0.11                       | 0.47                        | 1170                                     | 10×25               | ECR1KLY221M□□100025 |
|  | 270                  | 0.393                     | 0.085                      | 0.31                        | 1430                                     | 12.5×20             | ECR1KLY271M□□125020 |
|  | 330                  | 0.322                     | 0.060                      | 0.23                        | 1620                                     | 12.5×25             | ECR1KLY331M□□125025 |
|  | 390                  | 0.272                     | 0.051                      | 0.21                        | 1950                                     | 12.5×30             | ECR1KLY391M□□125030 |
|  | 390                  | 0.272                     | 0.058                      | 0.21                        | 1750                                     | 16×20               | ECR1KLY391M□□160020 |
|  | 470                  | 0.226                     | 0.043                      | 0.17                        | 2140                                     | 12.5×35             | ECR1KLY471M□□125035 |
|  | 560                  | 0.190                     | 0.036                      | 0.15                        | 2340                                     | 12.5×40             | ECR1KLY561M□□125040 |
|  | 560                  | 0.190                     | 0.044                      | 0.16                        | 2210                                     | 16×25               | ECR1KLY561M□□160025 |
|  | 560                  | 0.190                     | 0.054                      | 0.18                        | 1950                                     | 18×20               | ECR1KLY561M□□180020 |
|  | 680                  | 0.156                     | 0.033                      | 0.12                        | 2400                                     | 16×31.5             | ECR1KLY681M□□160031 |
|  | 820                  | 0.129                     | 0.038                      | 0.13                        | 2270                                     | 18×25               | ECR1KLY821M□□180025 |
|  | 820                  | 0.129                     | 0.029                      | 0.10                        | 2600                                     | 16×35.5             | ECR1KLY821M□□160035 |
| 1000   | 0.106                | 0.031                     | 0.11                       | 2470                        | 18×31.5                                  | ECR1KLY102M□□180031 |                     |
| 1000   | 0.106                | 0.027                     | 0.090                      | 2860                        | 16×40                                    | ECR1KLY102M□□160040 |                     |
| 1200   | 0.088                | 0.027                     | 0.084                      | 2860                        | 18×35.5                                  | ECR1KLY122M□□180035 |                     |
| 1500   | 0.071                | 0.026                     | 0.076                      | 3510                        | 18×40                                    | ECR1KLY152M□□180040 |                     |
| <b>100<br/>(125)<br/>2A</b>                  | 8.2                  | 12.946                    | 1.4                        | 5.6                         | 163                                      | 5×11.5              | ECR2ALY8R2M□□050011 |
|  | 18                   | 5.898                     | 0.57                       | 2.3                         | 267                                      | 6.3×11.5            | ECR2ALY180M□□063011 |
|  | 33                   | 3.217                     | 0.36                       | 1.4                         | 462                                      | 8×11.5              | ECR2ALY330M□□080011 |
|  | 47                   | 2.259                     | 0.25                       | 1.0                         | 585                                      | 8×16                | ECR2ALY470M□□080016 |
|  | 56                   | 1.896                     | 0.23                       | 0.96                        | 624                                      | 10×12.5             | ECR2ALY560M□□100012 |
|  | 68                   | 1.561                     | 0.19                       | 0.76                        | 735                                      | 8×20                | ECR2ALY680M□□080020 |
|  | 82                   | 1.295                     | 0.17                       | 0.72                        | 780                                      | 10×16               | ECR2ALY820M□□100016 |
|  | 100                  | 1.062                     | 0.12                       | 0.52                        | 1040                                     | 10×20               | ECR2ALY101M□□100020 |
|  | 120                  | 0.885                     | 0.11                       | 0.47                        | 1170                                     | 10×25               | ECR2ALY121M□□100025 |
|  | 150                  | 0.708                     | 0.085                      | 0.31                        | 1430                                     | 12.5×20             | ECR2ALY151M□□125020 |
|  | 220                  | 0.483                     | 0.060                      | 0.23                        | 1620                                     | 12.5×25             | ECR2ALY221M□□125025 |
|  | 270                  | 0.393                     | 0.051                      | 0.21                        | 1950                                     | 12.5×30             | ECR2ALY271M□□125030 |
|  | 270                  | 0.393                     | 0.058                      | 0.21                        | 1750                                     | 16×20               | ECR2ALY271M□□160020 |
|  | 330                  | 0.322                     | 0.043                      | 0.17                        | 2140                                     | 12.5×35             | ECR2ALY331M□□125035 |
|  | 390                  | 0.272                     | 0.036                      | 0.15                        | 2340                                     | 12.5×40             | ECR2ALY391M□□125040 |
|  | 390                  | 0.272                     | 0.044                      | 0.16                        | 2210                                     | 16×25               | ECR2ALY391M□□160025 |
|  | 390                  | 0.272                     | 0.054                      | 0.18                        | 1950                                     | 18×20               | ECR2ALY391M□□180020 |
|  | 470                  | 0.226                     | 0.033                      | 0.12                        | 2400                                     | 16×31.5             | ECR2ALY471M□□160031 |
|  | 470                  | 0.226                     | 0.038                      | 0.113                       | 2270                                     | 18×25               | ECR2ALY471M□□180025 |
|  | 560                  | 0.190                     | 0.029                      | 0.10                        | 2600                                     | 16×35.5             | ECR2ALY561M□□160035 |
| 560  | 0.190                | 0.031                     | 0.11                       | 2470                        | 18×31.5                                  | ECR2ALY561M□□180031 |                     |
| 680  | 0.156                | 0.027                     | 0.090                      | 2860                        | 16×40                                    | ECR2ALY681M□□160040 |                     |
| 680  | 0.156                | 0.027                     | 0.084                      | 2860                        | 18×35.5                                  | ECR2ALY681M□□180035 |                     |
| 820  | 0.129                | 0.026                     | 0.076                      | 3510                        | 18×40                                    | ECR2ALY821M□□180040 |                     |

## Lifetime Diagram



Customer products are available on request.

## X-ON Electronics

Largest Supplier of Electrical and Electronic Components

*Click to view similar products for [Aluminium Electrolytic Capacitors - Radial Leaded](#) category:*

*Click to view products by [Jianghai](#) manufacturer:*

Other Similar products are found below :

[LXY50VB4.7M-5X11](#) [RFO-100V471MJ7P#](#) [ECE-A1EGE220](#) [B41041A2687M8](#) [B41041A7226M8](#) [B41044A7157M6](#)  
[EKXG201EC3101ML20S](#) [EKZM160ETD471MHB5D](#) [NCD681K10KVY5PF](#) [NEV1000M25EF-BULK](#) [NEV100M35DC](#) [NEV100M63DE](#)  
[NEV220M25DD-BULK](#) [NEV.33M100AA](#) [NEV4700M50HB](#) [NEV.47M100AA](#) [NEVH1.0M250AB](#) [NEVH3.3M250BB](#) [NEVH3.3M450CC](#)  
[KM4700/16](#) [KME50VB100M-8X11.5](#) [SG220M1CSA-0407](#) [ES5107M016AE1DA](#) [ESMG160ETD102MJ16S](#) [ESX472M16B](#)  
[SZ010M1500A5S-1015](#) [227RZS050M](#) [476CKH100MSA](#) [477RZS050M](#) [UVX1V101KPA1FA](#) [UVX1V222MHA1CA](#) [KME25VB100M-](#)  
[6.3X11](#) [VTL100S10](#) [VTL470S10](#) [VTL470S16A](#) [511D336M250EK5D](#) [052687X](#) [ECE-A1CF471](#) [EKMA500ELL4R7ME07D](#) [NRE-](#)  
[S560M16V6.3X7TBSTF](#) [RGA221M1CTA-0611G](#) [ERZA630VHN182UP54N](#) [UPL1A331MPH](#) [SK035M0100AZS-0611](#) [MAL214658821E3](#)  
[NEV1000M6.3DE](#) [NEV100M16CB](#) [NEV100M50DD-BULK](#) [NEV2200M16FF](#) [NEV220M50EE](#)