

## SPECIFICATIONS

Rated Current: 3.0AMP  
 Contact Resistance: 20mΩ Max  
 Withstand Voltage: 1000V AC/DC  
 Insulation Resistance: 1000MΩ Min  
 Operation Temperature: -40°C to +105°C

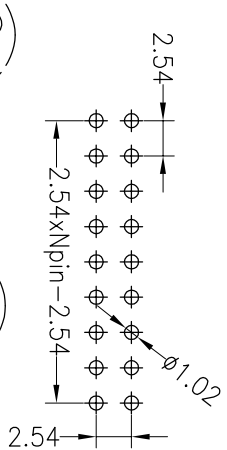
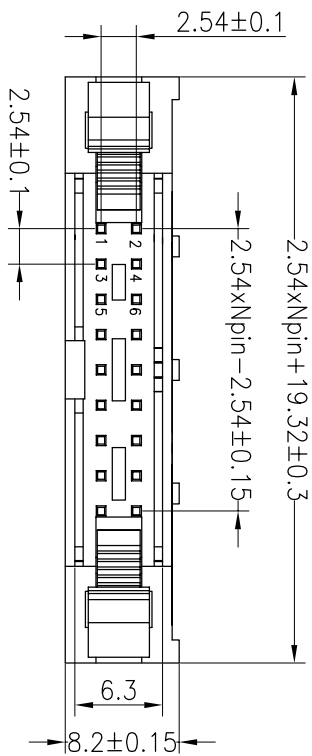
Contact Material: Brass  
 Contact Plating: Au or Sn Over Ni  
 Insulator Material: Polyester (UL94V-0)  
 Standard: PBT  
 Max. Processing Temp: 180°C for 30-60 seconds  
 (200°C for 10 seconds)

## Ordering Information

3310 XX S XX X X X X 01

No. of Pins Per Row: 6-64  
 Contact Plating: G0:Gold Flash, G1:11" Gold, G2:15U" Gold, G3:2U" Gold, G4:3U" Gold, G5:5U" Gold, G6:10U" Gold, G7:15U" Gold, S0:Gold Flash/Tin, SMTin  
 Insulator Material Option: A=BK-PBT, C=BK-PA6T, D=BK-PA46, F=BK-PA9T, F=BK-LCP  
 Color Type: B=Black, G=Grey  
 Latch Type: L=Long Latch, S=Short Latch, N=Without Latch  
 Packing: O=PE Bag, A=Troy, T=Tube, P=Tube+Cap, SMTin

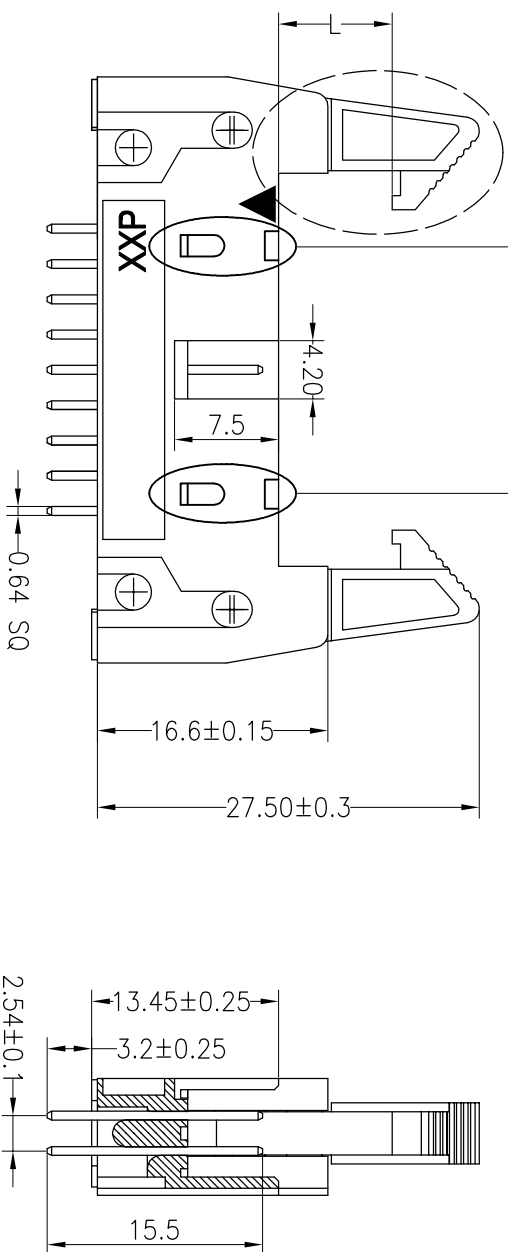
Recommended P.C.B Layout (Top Side)  
 (PCB BOARD TOLERANCE±0.05)



below 20Pos without the central hole

Long Latch(长耳扣)

Short Latch(短耳扣)



OPERATION		DRAW		SCALE		FIT		TITLE:	
DIM	TOL	APPROVE	YUSheng	19.09.21	UNIT	mm	A4	PART NO.	2.54 ejector header Npin 180°
X.X	±0.30	CHECK						3310XXSXXXXX01	
X.XX	±0.20								
X.XXX	±0.10								
Angle	±3°								

REV	DATE	MODIFICATION DESCRIPTION	CHANGE
A0	2019.09.21	NEW DRAWING	

**JILIN** 深圳市锦凌电子有限公司  
 SHENZHEN JINLING ELECTRONIC CO.,LTD  
 Tel: 86-755-2997-5806/5802 Fax: 86-755-2997-5892

## X-ON Electronics

Largest Supplier of Electrical and Electronic Components

*Click to view similar products for [jiln](#) manufacturer:*

Other Similar products are found below :

[JL15EDGVC-38106G01](#) [331010SG0ABLA02](#) [JL950-95004B01](#) [JL25C-76204B01](#) [JL15EDGVC-35005G01](#) [JL25C-76206B01](#)  
[321006RG0ABK00A01](#) [JL2EDGR-50806G01](#) [331026SG0ABLA02](#) [531440YBS0BW01](#) [321050MG0CBK00A01](#) [531412YBS0BW01](#)  
[321034RG0ABK00A01](#) [JL15EDGVC-35009G01](#) [JL15EDGRC-38110G01](#) [331030SG0ABLA02](#) [321010RG0ABK00A02](#) [JL301-50009U02](#)  
[JL250-35006E01](#) [531416YBS0BW01](#) [JL2EDGR-50808G01](#) [JL15EDGK-35003G01](#) [JL15EDGVC-25004G01](#) [JL2EDGRC-50808G01](#)  
[JL2EDGRC-50809G01](#) [JL15EDGVC-38108G01](#) [JL45C-09505B01](#) [JL15EDGVC-38110G01](#) [JL15EDGK-35012G01](#) [JL127-50003G01](#)  
[JL250-12106B01](#) [JL2EDGRC-50812G01](#) [JL103-50003G01](#) [JL15EDGVC-35010G01](#) [JL250-35005E01](#) [JL500H-50003G01](#) [JL500H-](#)  
[50002G01](#) [JL15EDGVC-38107G01](#) [JL850-85004BA1](#) [JL2EDGV-50809G01](#) [JL500HH-50803G01](#) [321040RG0ABK00A01](#) [JL2EDGR-](#)  
[50812G01](#) [JL15EDGKD-25002G01](#) [331008SG0ABLA02](#) [JL2EDGV-50810G01](#) [JL500HH-50003G01](#) [531416YBS0BW02](#)  
[331040SG0ABLA02](#) [JL2EDGR-50807G01](#)