

SPECIFICATIONS

Rated Current: 3.0AMP
 Contact Resistance: 20mΩ Max
 Withstand Voltage: 1000V AC/DC
 Insulation Resistance: 1000MΩ Min
 Operation Temperature: -40°C to +105°C

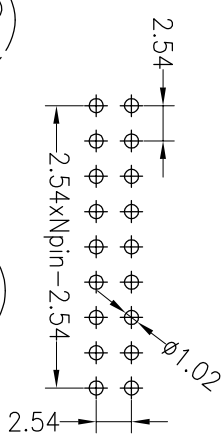
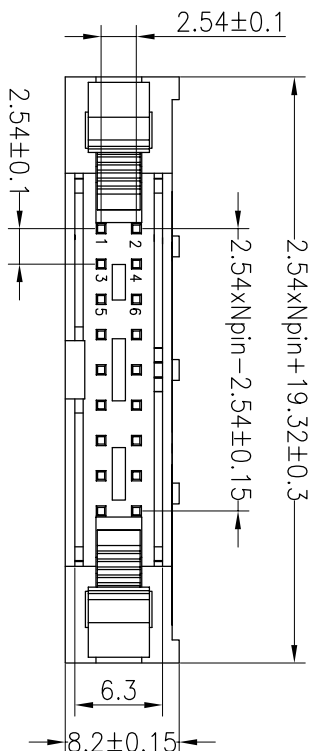
Contact Material: Brass
 Contact Plating: Au or Sn Over Ni
 Insulator Material: Polyester (UL94V-0)
 Standard: PBT
 Max. Processing Temp: 180°C for 30-60 seconds
 (200°C for 10 seconds)

Ordering Information

3310 XX S XX X X X X 01

No. of Pins Per Row: 6-64
 Contact Plating: G0:Gold Flash, G1:11" Gold, G2:15U" Gold, G3:2U" Gold, G4:3U" Gold, G5:5U" Gold, G6:10U" Gold, G7:15U" Gold, S0:Gold Flash/Tin, SMTin
 Insulator Material Option: A=BK-PBT, C=BK-PA6T, D=BK-PA46, F=BK-PA9T, F=BK-LCP
 Color Type: B=Black, G=Grey
 Latch Type: L=Long Latch, S=Short Latch, N=Without Latch
 Packing: O=PE Bag, A=Troy, T=Tube, P=Tube+Cap, SMTin

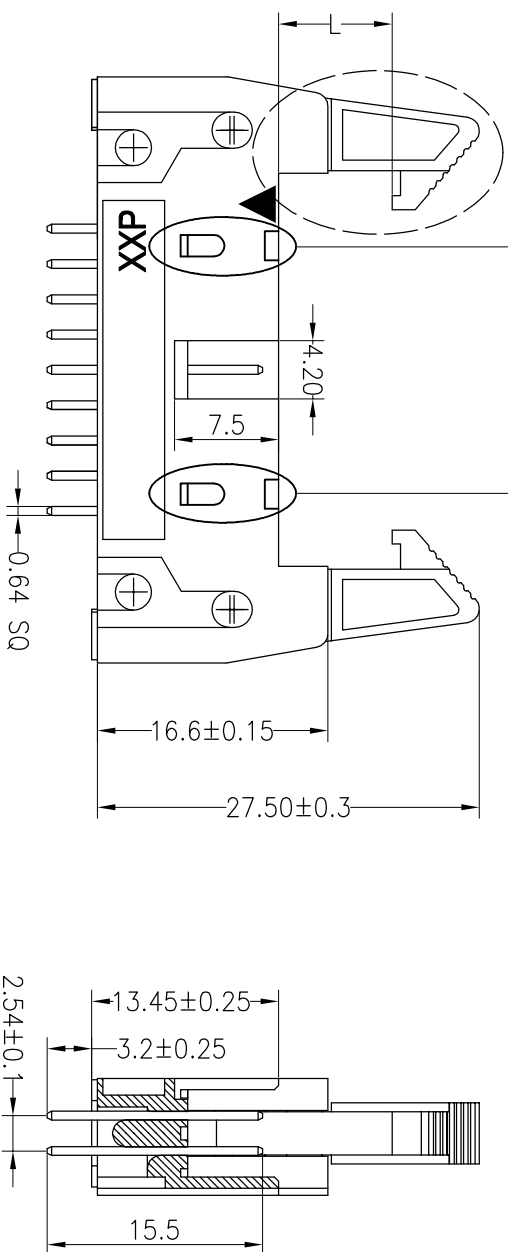
Recommended P.C.B Layout (Top Side)
 (PCB BOARD TOLERANCE±0.05)



below 20Pos without the central hole

Long Latch(长耳扣)

Short Latch(短耳扣)



OPERATION		DRAW		SCALE		FIT		TITLE:	
DIM	TOL	APPROVE	YUSheng	19.09.21	UNIT	mm	A4	PART NO.	2.54 ejector header Npin 180°
X.X	±0.30							3310XXSXXXXX01	
X.XX	±0.20	CHECK							
X.XXX	±0.10								
Angle	±3°								
REV	DATE	MODIFICATION DESCRIPTION	CHANGE						
A0	2019.09.21	NEW DRAWING							
1									

JILIN 深圳市锦凌电子有限公司
 SHENZHEN JINLING ELECTRONIC CO.,LTD
 Tel: 86-755-2997-5806/5802 Fax: 86-755-2997-5892

X-ON Electronics

Largest Supplier of Electrical and Electronic Components

Click to view similar products for [Headers & Wire Housings](#) category:

Click to view products by [JILN](#) manufacturer:

Other Similar products are found below :

[95000-104TRLF](#) [10135584-644402LF](#) [DF62W-EP2022PCA](#) [95000-106TRLF](#) [DF62W-2022SCA](#) [DF62W-EP2022PC](#) [2203348](#) [DF62W-2022SC](#) [1084018](#) [1029039](#) [1084017](#) [802-10-012-10-002000](#) [1112640](#) [1112639](#) [891-007-9SS-BST1T](#) [000-34000](#) [0008550134](#) [0009482033](#) [0009507031](#) [57102-F02-18ULF](#) [57102-S06-03LF](#) [57202-S52-04LF](#) [PCN6-15S-2.5E](#) [0039019024](#) [58102-G61-06LF](#) [582553-1](#) [0009485154](#) [0009508121](#) [0022285053](#) [0050291907](#) [018731A](#) [LY20-4P-DT1-P1E-BR](#) [02.125.8002.8](#) [60101931](#) [60598-1 \(Cut Strip\)](#) [M1625-3R/100](#) [61062-3](#) [61082-181009](#) [CSU011177004](#) [636-1427](#) [638009-1](#) [641938-9](#) [641991-4](#) [644168-1](#) [644827-2](#) [647662-1](#) [65039-019ELF](#) [65692-001LF](#) [65781-018](#) [65781-047](#)