

SPECIFICATIONS

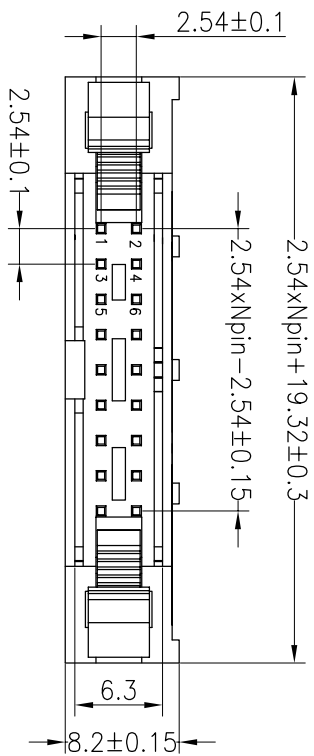
Rated Current: 3.0AMP
 Contact Resistance: 20mΩ Max
 Withstand Voltage: 1000V AC/DC
 Insulation Resistance: 1000MΩ Min
 Operation Temperature: -40°C to +105°C

Contact Material: Brass
 Contact Plating: Au or Sn Over Ni
 Insulator Material: Polyester (UL94V-0)
 Standard: PBT
 Max. Processing Temp: 180°C for 30-60 seconds
 (200°C for 10 seconds)

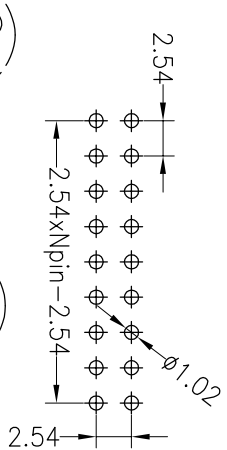
Ordering Information

3310 XX S XX X X X X 01

No. of Pins Per Row	Contact Plating	Insulator Material Option	Color Type	Latch Type	Packing
6-64	60:Gold Flash 61:11" Gold 62:15U" Gold 63:2U" Gold 64:3U" Gold 65:5U" Gold 66:10U" Gold 67:15U" Gold S0:Gold Flash/Tin SK:Tin	A=BK-PBT C=BK-PA6T D=BK-PA46 F=BK-PA9T F=BK-LCP	B=Black G=Grey	L=Long Latch S=Short Latch N=Without Latch	O=PE Bag A=Troy T=Tube P=Tube+Cap



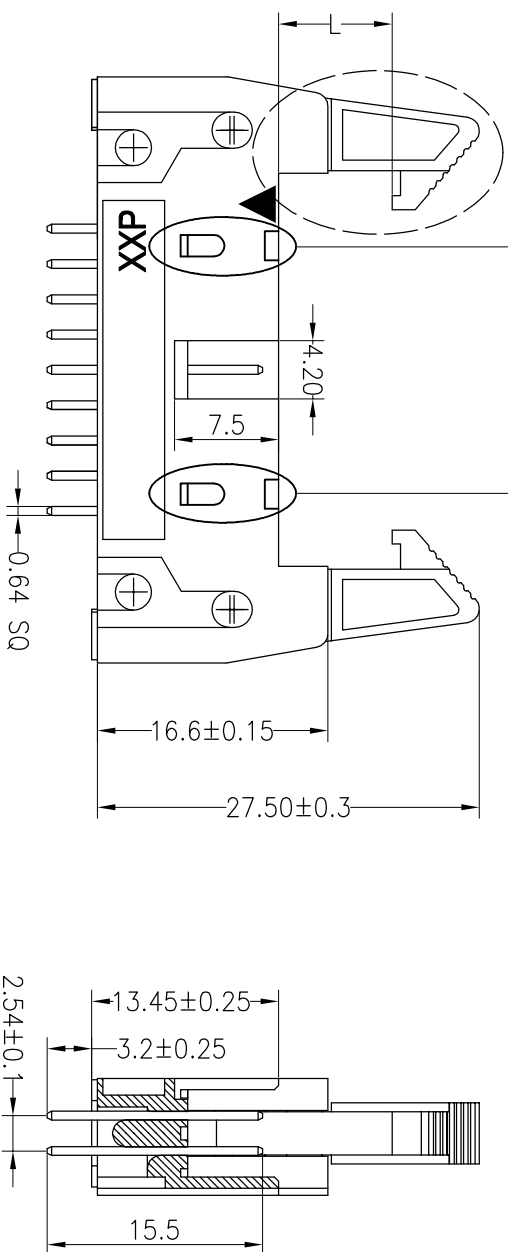
Recommended P.C.B Layout(Top Side)
 (PCB BOARD TOLERANCE±0.05)



below 20Pos without the central hole

Long Latch(长耳扣)

Short Latch(短耳扣)



OPERATION		DRAW		SCALE		FIT		TITLE:	
X.X	±0.30	YYuSheng	19.09.21	UNIT	mm	A4	1/1	PART NO. 3310XXSXXXXX01	
X.XX	±0.20	CHECK		SIZE				2.54 ejector header Npin 180°	
X.XXX	±0.10	APPROVE		SHEET					
Angle	±3°			PROJ.					
REV	DATE	MODIFICATION DESCRIPTION		CHANGE	DIM	TOL			
A0	2019.09.21	NEW DRAWING							
1									

JILIN 深圳市锦凌电子有限公司
 SHENZHEN JINLING ELECTRONIC CO.,LTD
 Tel: 86-755-2997-5806/5802 Fax: 86-755-2997-5892

X-ON Electronics

Largest Supplier of Electrical and Electronic Components

Click to view similar products for [jiln](#) manufacturer:

Other Similar products are found below :

[JL15EDGVC-38106G01](#) [331010SG0ABLA02](#) [JL950-95004B01](#) [JL25C-76204B01](#) [JL15EDGVC-35005G01](#) [JL25C-76206B01](#)
[321006RG0ABK00A01](#) [JL2EDGR-50806G01](#) [331026SG0ABLA02](#) [531440YBS0BW01](#) [321050MG0CBK00A01](#) [531412YBS0BW01](#)
[321034RG0ABK00A01](#) [JL15EDGVC-35009G01](#) [JL15EDGRC-38110G01](#) [331030SG0ABLA02](#) [321010RG0ABK00A02](#) [JL301-50009U02](#)
[JL250-35006E01](#) [531416YBS0BW01](#) [JL2EDGR-50808G01](#) [JL15EDGK-35003G01](#) [JL15EDGVC-25004G01](#) [JL2EDGRC-50808G01](#)
[JL2EDGRC-50809G01](#) [JL15EDGVC-38108G01](#) [JL45C-09505B01](#) [JL15EDGVC-38110G01](#) [JL15EDGK-35012G01](#) [JL127-50003G01](#)
[JL250-12106B01](#) [JL2EDGRC-50812G01](#) [JL103-50003G01](#) [JL15EDGVC-35010G01](#) [JL250-35005E01](#) [JL500H-50003G01](#) [JL500H-](#)
[50002G01](#) [JL15EDGVC-38107G01](#) [JL850-85004BA1](#) [JL2EDGV-50809G01](#) [JL500HH-50803G01](#) [321040RG0ABK00A01](#) [JL2EDGR-](#)
[50812G01](#) [JL15EDGKD-25002G01](#) [331008SG0ABLA02](#) [JL2EDGV-50810G01](#) [JL500HH-50003G01](#) [531416YBS0BW02](#)
[331040SG0ABLA02](#) [JL2EDGR-50807G01](#)