

NOTES1:

UL Standard

1. Rated voltage/current : 300V / 20A
3. Torque value : M2.5 , 3.5Lb.in
4. Wire range : 30~12AWG

IEC Standard

1. Rated voltage/current : 450V / 24A
2. Torque value : M2.5 , 0.4N·m
3. Wire range : 0.5~2.5mm²

NOTES2:

1. Dimension shall be interpreted per ASME Y14.5-2009
2. Pitch : 7.50mm, Poles : N=02~16P
3. Stripping length : 12~13mm
4. Withstanding voltage : AC2500V/1Min
5. Operating temperature : -40°C~+105°C
6. Undimensioned tolerances:

Pitch range in mm	Nominal dimension range in mm		Pitch range in mm	Nominal dimension range in mm	Pitch range in mm	Nominal dimension range in mm
	Over	To				
6	10	10	30	60	100	150
10	24	30	60	100	150	150
15	30	30	60	100	150	150
20	30	30	60	100	150	150
24	30	30	60	100	150	150
30	30	30	60	100	150	150
36	30	30	60	100	150	150
42	30	30	60	100	150	150
48	30	30	60	100	150	150
54	30	30	60	100	150	150
60	30	30	60	100	150	150
66	30	30	60	100	150	150
72	30	30	60	100	150	150
78	30	30	60	100	150	150
84	30	30	60	100	150	150
90	30	30	60	100	150	150
96	30	30	60	100	150	150
102	30	30	60	100	150	150
108	30	30	60	100	150	150
114	30	30	60	100	150	150
120	30	30	60	100	150	150
126	30	30	60	100	150	150
132	30	30	60	100	150	150
138	30	30	60	100	150	150
144	30	30	60	100	150	150
150	30	30	60	100	150	150
156	30	30	60	100	150	150
162	30	30	60	100	150	150
168	30	30	60	100	150	150
174	30	30	60	100	150	150
180	30	30	60	100	150	150
186	30	30	60	100	150	150
192	30	30	60	100	150	150
198	30	30	60	100	150	150
204	30	30	60	100	150	150
210	30	30	60	100	150	150
216	30	30	60	100	150	150
222	30	30	60	100	150	150
228	30	30	60	100	150	150
234	30	30	60	100	150	150
240	30	30	60	100	150	150
246	30	30	60	100	150	150
252	30	30	60	100	150	150
258	30	30	60	100	150	150
264	30	30	60	100	150	150
270	30	30	60	100	150	150
276	30	30	60	100	150	150
282	30	30	60	100	150	150
288	30	30	60	100	150	150
294	30	30	60	100	150	150
300	30	30	60	100	150	150

7. RoHS Compliance

Ordering Information

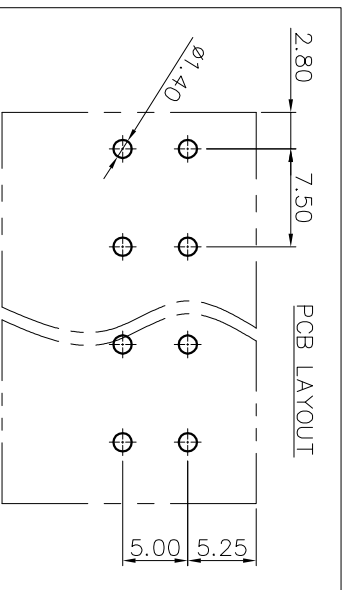
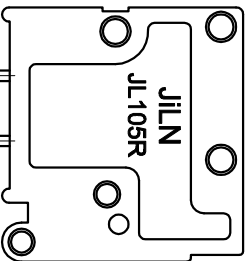
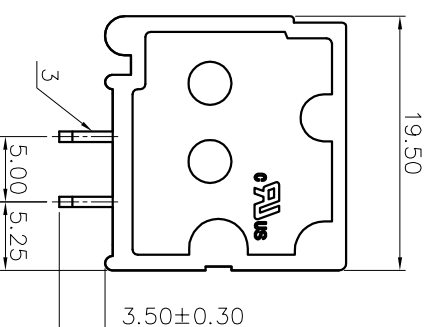
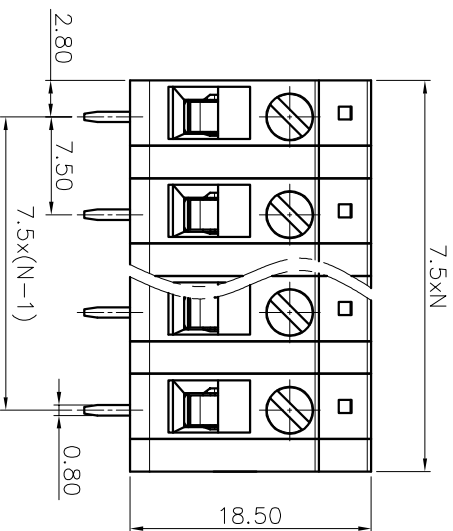
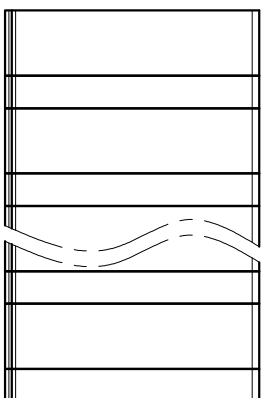
JL105R-750 XX G 0 1

Pitch
750=7.5PH

No. of pins
2P~24P

Housing Color
B=Black
G=Green
U=Blue
R=Red
W=White
Y=Yellow
D=Orange
E=Grey

Packing
0=Pe bag
T=Tube
A=Tray



REVISION RECORD				
REV	ECN	DESCRIPTION	DRFT	DATE
A0		NEW		21.08.16

DRAW	SHUANGPING ZHENG	SCALE	FIT	PART NO.	
CHECK	LICHAD LIU	UNIT	mm	JL105R-750XXG01	
APPROVE	YONGLIANG GAO	SIZE	A4	DONGGUAN JINLING ELECTRONIC CO., LTD	
		SHEET	1/1	TITLE:	
		PRD		JL105R-7.5-XXP 螺钉式/弯脚/绿色	

JILN 东莞市锦凌电子有限公司
DONGGUAN JINLING ELECTRONIC CO., LTD

PART NO. JL105R-750XXG01

TITLE: JL105R-7.5-XXP 螺钉式/弯脚/绿色

X-ON Electronics

Largest Supplier of Electrical and Electronic Components

Click to view similar products for [Fixed Terminal Blocks](#) category:

Click to view products by [JILN](#) manufacturer:

Other Similar products are found below :

[MBE-1512](#) [MBE-1520](#) [MBE-154](#) [MBE-156](#) [MBES-156](#) [MH-2512](#) [MHE-132](#) [MHE-163](#) [MI-254 \(35\)](#) [MPT-275](#) [ELM10110G](#) [BA311TU](#)
[BA411SU](#) [MV-254-D](#) [MV-255](#) [MV-493](#) [MVE-252](#) [MVE-253](#) [MVEB-153](#) [1705142](#) [1-796689-8](#) [1841320000](#) [S451](#) [29.007](#) [29.116](#) [30.204](#)
[30.503](#) [30.756](#) [30.853](#) [9872-0-00-15-00-00-33-0](#) [996750](#) [1710052](#) [20020316-G071B01LF](#) [20020327-C061B01LF](#) [29590](#) [30.652](#) [30.710](#)
[30.754](#) [30.757](#) [32.058](#) [37.206](#) [37.208](#) [37.507](#) [37.558](#) [38331-5812](#) [38331-8018](#) [38540-1910](#) [39.002](#) [MBE-1517](#) [MBE-153](#)