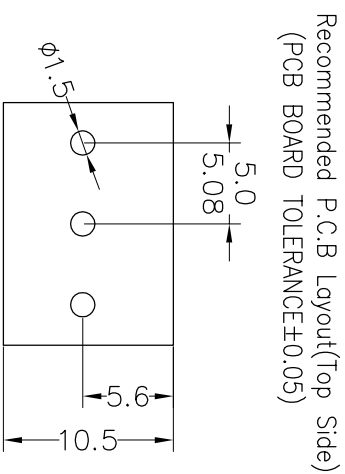
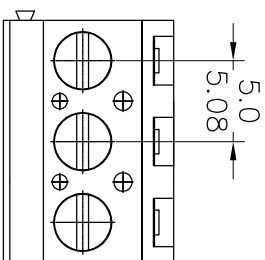


SPECIFICATIONS

Rated(额定参数): 300V,20A
 Dielectric strength(抗电强度): AC2000V/1 Minute
 Insulation Resistance(绝缘电阻):1000MΩ Min
 Contact Resistance(接触电阻):20mΩ Max
 Screw Torque(扭矩): 0.5Nm (4.4lb.in)
 Wire Range(线径):1.2~2.4AWG
 Strip length(剥线长度):6~7mm
 Temp. range(操作温度): -40℃~+105℃
 MAX Soldering(瞬时温度):+250℃,5s



Housing Material(塑件): PA66 (UL94 V-0)
 Contact(端子): Brass, Tin plating(黄铜镀锡)
 Clamp(方块): Brass/Steel(铜/铁), Ni plating(镍)
 Screw (螺丝): M3.0, Steel, Zinc plating(钢,镀锌)

| PITCH RANGE IN MM | NOMINAL DIMENSION RANGE IN MM | | | | |
|----------------------|----------------------------------|----------------|-----------------|------------------|------------------|
| | OVER TO | OVER TO | OVER TO | OVER TO | OVER TO |
| 6 TO 10 | 10 TO 24 | 30 TO 60 | 60 TO 100 | 100 TO 150 | 150 TO 150 |
| ±0.10 | ±0.15 | ±0.25 | ±0.30 | ±0.30 | ±0.50 |
| | | | | | ±0.70 |
| | | | | | ±1.00 |

Ordering Information

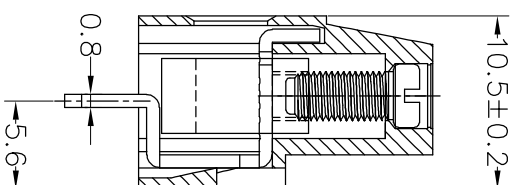
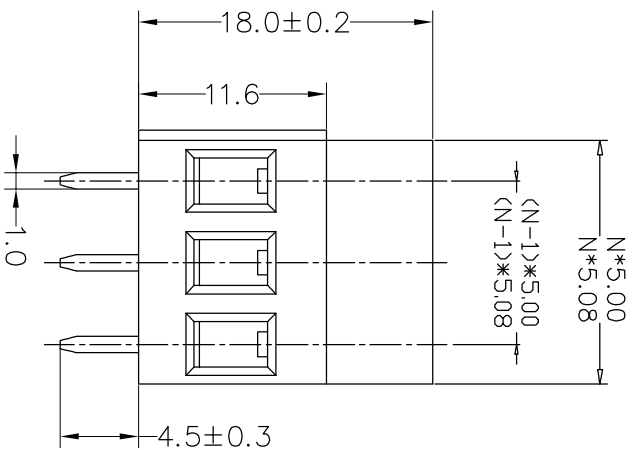
JL 129-XXX XX X X 1

Pitch
500=5.0PH
508=5.08PH

No. of pins
2P, 3P, 4P~24P

Housing Color
B=Black
G=Green
U=Blue
R=Red
W=White
Y=Yellow
O=Orange
E=Grey

Packing
O=Pe bog
T=Tube
A=Tray



| REV | DATE | MODIFICATION DESCRIPTION | CHANGE | OPERATION | | DRAW | yiyusheng | 16.05.16 | SCALE | | FIT | | PART NO. | TITLE: | PCB UNIVERSAL SCREW TERMINAL BLOCKS |
|-----|------------|--------------------------|--------|-----------|-------|---------|-----------|----------|-------|----|------|----|-----------------|--------|-------------------------------------|
| | | | | XX | ±0.30 | | | | UNIT | mm | SIZE | A4 | | | |
| A0 | 2016.05.16 | NEW DRAWING | | X:XX | ±0.20 | CHECK | | | | | | | JL129-XXXXXXXX1 | | |
| 1 | | | | Angle | ±3° | APPROVE | | | | | | | | | |

JIN 深圳市锦凌电子有限公司
 SHENZHEN JINLING ELECTRONIC CO.,LTD
 Tel: 86-755-2997-5806/5802 Fax: 86-755-2997-5992

X-ON Electronics

Largest Supplier of Electrical and Electronic Components

Click to view similar products for [Fixed Terminal Blocks](#) category:

Click to view products by [JILN](#) manufacturer:

Other Similar products are found below :

[00175550202](#) [MBE-1512](#) [MBE-1520](#) [MBE-154](#) [MBE-156](#) [MBES-1510](#) [MBES-153](#) [MBES-156](#) [MH-2512](#) [MHE-132](#) [MHE-133](#) [MHE-163](#)
[MI-254 \(35\)](#) [MI-272](#) [8739](#) [880507](#) [880508](#) [MPT-275](#) [1546551-6](#) [ELM023100](#) [ELM10110G](#) [ELVD12100](#) [BA311TU](#) [BA411SU](#) [MV-152](#)
[MV-253/NCNOC](#) [MV-254-D](#) [MV-255](#) [MV-462](#) [MV-472](#) [MV-493](#) [MVE-252](#) [MVE-253](#) [MVE-258](#) [MVE-273](#) [MVEB-153](#) [1700096](#)
[1702246](#) [1705142](#) [1712417](#) [1713020](#) [1713088](#) [1776118-2](#) [1790852](#) [1-796689-8](#) [1-796692-6](#) [1800001](#) [1800114](#) [1823215](#) [1838462](#)