

SPECIFICATIONS

Rated (额定参数): 300V, 10A
 Dielectric strength (抗电强度): AC2000V/1 Minute
 Insulation Resistance (绝缘电阻): 1000MΩ Min
 Contact Resistance (接触电阻): 20mΩ Max
 Wire Range (线径): 1.6~2.2AWG
 Strip length (剥线长度): 10mm
 Temp. range (操作温度): -40°C~+105°C
 MAX Soldering (瞬时温度): +250°C, 5s

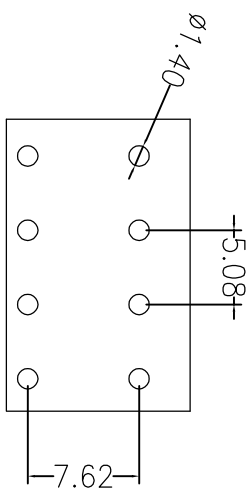
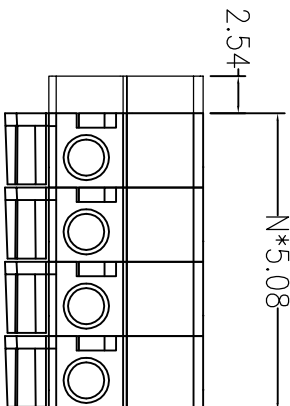
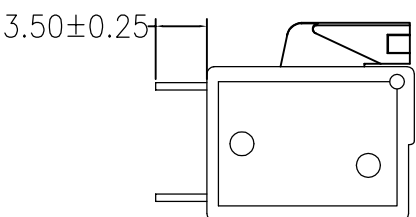
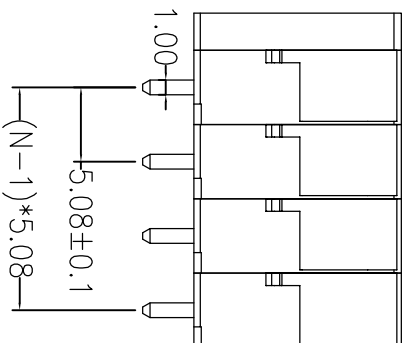
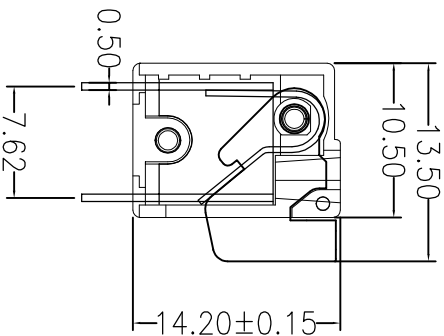
Housing Material (塑件): PA66 (UL94 V-0)
 Contact (端子): Brass, Tin plating (黄铜镀锡)
 Reed (弹片): Stainless steel (不锈钢)

PITCH RANGE IN MM	NOMINAL DIMENSION RANGE IN MM				
	OVER TO	OVER TO	OVER TO	OVER TO	OVER TO
6 TO 10	6 TO 10	10 TO 24	30 TO 60	60 TO 100	100 TO 150
±0.10	±0.15	±0.25	±0.30	±0.30	±0.50
				±0.70	±1.00

Ordering Information

JL 142V - 508 XX G X 1

Pitch 508=5.08PH
 No. of pins 1P-XXP
 Housing Color
 B=Black
 G=Green
 U=Blue
 R=Red
 W=White
 Y=Yellow
 O=Orange
 E=Grey
 Packing
 0=Pe bag
 T=Tube
 A=Troy



Recommended P.C.B Layout (Top Side)

REV	DATE	MODIFICATION DESCRIPTION	CHANGE	OPERATION		DRAW	BEN	17.01.04	SCALE	FIT	PART NO.	TITLE:
				DIM	TOL				APPROVE	UNIT		
A0	2017.01.04	NEW DRAWING		X:XX	±0.30	CHECK						5.08mm PCB SPRING TERMINAL BOLCKS
1				X:XXX	±0.10							

JILIN 深圳市锦凌电子有限公司
 SHENZHEN JINLING ELECTRONIC CO.,LTD
 Tel: 86-755-2997-5806/5802 Fax: 86-755-2997-5992

X-ON Electronics

Largest Supplier of Electrical and Electronic Components

Click to view similar products for [Fixed Terminal Blocks](#) category:

Click to view products by [JILN](#) manufacturer:

Other Similar products are found below :

[MBE-1512](#) [MBE-1520](#) [MBE-154](#) [MBE-156](#) [MBES-156](#) [MH-2512](#) [MHE-132](#) [MHE-163](#) [MI-254 \(35\)](#) [MI-272](#) [MPT-275](#) [ELM10110G](#)
[BA311TU](#) [BA411SU](#) [MV-254-D](#) [MV-255](#) [MV-493](#) [MVE-252](#) [MVE-253](#) [MVEB-153](#) [1700096](#) [1705142](#) [1712417](#) [1713088](#) [1745195](#)
[1760594](#) [1-796689-8](#) [1800114](#) [20020314-C121B01LF](#) [20020316-G041B01LF](#) [KP03215000JOG](#) [KP04215000JOG](#) [S451](#) [29.007](#) [29.116](#)
[30.103](#) [30.503](#) [30.608](#) [30.853](#) [9872-0-00-15-00-00-33-0](#) [996750](#) [1706303](#) [1710052](#) [1715394](#) [1733868](#) [1777707](#) [1786769](#) [1-796692-3](#)
[1800883](#) [1868982](#)