

NOTES1:

- UL Standard
- Rated voltage/current : 300V / 8A
- Withstanding voltage : AC1600V/1Min.

IEC Standard

1. Pollution degree	2	2	3
Overvoltage category	II	III	III
Rate impulse voltage(KV)	2.5KV	2.5KV	2.5KV
Rate voltage(V)	320V	250V	160V
Rate current(A)	7A		

NOTES2:

- 1.Dimension shall be interpreted per ASME Y14.5-2009
- 2.Pitch : 3.50mm, Poles : N=02~24P
- 3.Operating temperature: -40°C~+105°C
- 4.Undimensioned tolerances:

Pitch range in mm	Nominal dimension range in mm			Tolerance
	Over	TO	Under	
6	10	TO	30	0.1/10
10	TO	24	60	<
15	TO	30	100	<
20	TO	30	150	<
24	TO	30	100	<
30	TO	60	150	<
35	TO	60	150	<
40	TO	60	150	<
45	TO	60	150	<
50	TO	60	150	<
60	TO	60	150	<
75	TO	60	150	<
90	TO	60	150	<
105	TO	60	150	<
120	TO	60	150	<
150	TO	60	150	<

5.RoHS Compliance

Ordering Information

JL15EDGA - 350 XX G 0 1

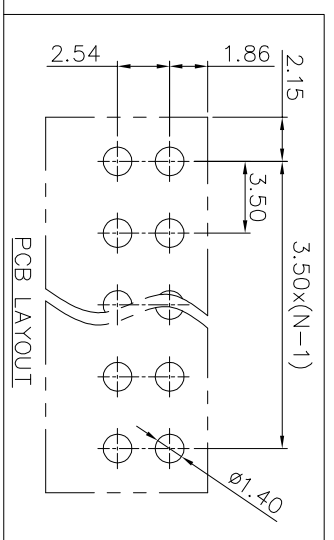
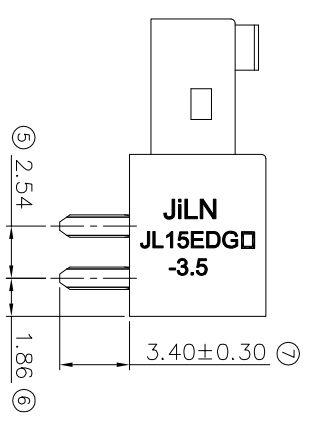
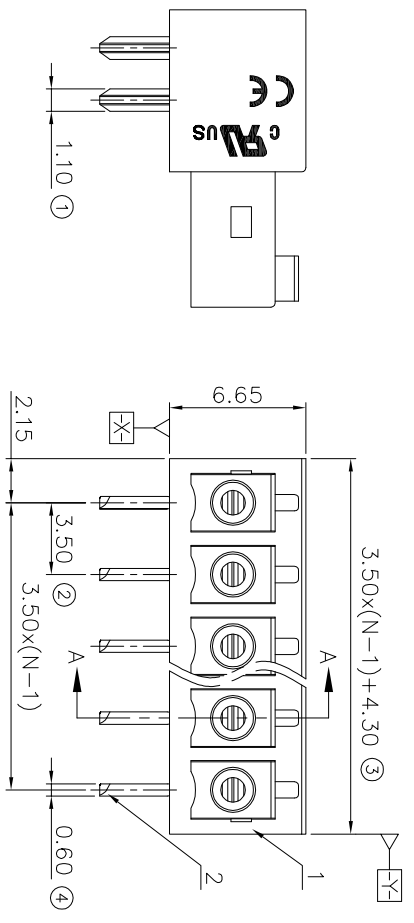
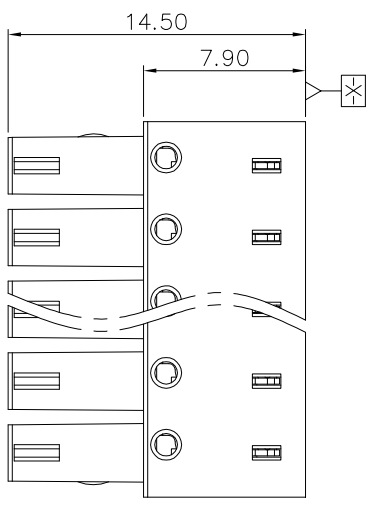
Pitch 350=3.50PH

No.of pins 2P,3P,4P-24P

Housing Color
 B=Black
 G=Green
 U=Blue
 V=White
 Y=Yellow
 D=Orange
 E=Grey

Packing
 Q=Tray 80g
 T=Tube
 A=Tray

REVISION RECORD				
REV	ECN	DESCRIPTION	DRFT	DATE
A0		NEW		21.04.13



2	Clamp	Copper alloy	Sn Plated
1	Housing	PA66	UL94V-0
ITEM	NAME OF PART	MATERIAL	NOTES

DRAW	SHUANGPING ZHENG
CHECK	LICHAD LIU
APPROVE	YONGLIANG GAO

SCALE	FIT
UNIT	mm
SIZE	A4
SHEET	1/1
PRD	

JILIN 东莞市锦凌电子有限公司
 DONGGUAN JINLING ELECTRONIC CO., LTD

PART NO. JL15EDGA-350XXG01

TITLE: JL15EDGA-350-XXP 插拔式母座/弯脚/绿色

X-ON Electronics

Largest Supplier of Electrical and Electronic Components

Click to view similar products for [Pluggable Terminal Blocks](#) category:

Click to view products by [JILN](#) manufacturer:

Other Similar products are found below :

[57.510.0053](#) [MC 1.5/ 6-ST-3.5 GY AU](#) [ET02015000J0G](#) [860505](#) [860516](#) [860810](#) [GBPACX-12](#) [93.731.4953.0](#) [PV05-5,08-K](#) [PVP03-3,50](#)
[PVS02-5,00](#) [1-1986160-3](#) [1377680000](#) [1531000000](#) [1546228-5](#) [ELFP03110](#) [ELFP10210](#) [ELFT07250](#) [ELVD12100](#) [ELVF09400](#)
[ELVP03100](#) [ELXH071G0E](#) [1700410](#) [1746952](#) [1760336](#) [1800272](#) [1809474](#) [1855000000](#) [19346](#) [1946309](#) [1950227](#) [1973592](#) [19892](#)
[25.320.4053.1](#) [25.320.4553.9](#) [25.320.4753.1](#) [25.320.5453.1](#) [25.340.0353.1](#) [25.340.1053.1](#) [25.345.3553.0M001](#) [25.640.3553.1](#) [SH02-5,08](#)
[SH06-3,81](#) [SH08-5,08](#) [SH08-5,08-K](#) [SH12-5,08](#) [SHS04-5,00](#) [30.303](#) [30.305](#) [30.306](#)