

SPECIFICATIONS

Rated(额定参数): 300V,8A
 Dielectric strength(抗电强度): AC1500V/1 Minute
 Insulation Resistance(绝缘电阻):1000MΩ Min
 Contact Resistance(接触电阻):20mΩ Max
 Screw Torque(扭矩): 0.2Nm (1.7Lb.in)
 Wire Range(线径):28~16AWG
 Strip length(剥线长度):6~7mm
 Temp. range(操作温度): -40℃~+105℃
 MAX Soldering(瞬时温度):+250℃,5s

Housing Material(塑件): PA66 (UL94 V-0)
 Contact(端子): Phosphor Bronze, Tin plating(磷铜镀镍)
 Clamp(方块): Brass(黄铜), Ni plating(镀镍)
 Screw (螺丝): M2.0 Steel, Zinc plating(钢,镀锌)

	PITCH RANGE		NOMINAL DIMENSION RANGE					
	IN MM		IN MM		IN MM		IN MM	
TO	6	10	30	60	100	TO	150	
OVER	10	24	TO	60	TO	150	OVER	
±0.10	±0.15	±0.25	±0.30	±0.30	±0.50	±0.70	±1.00	

Ordering Information

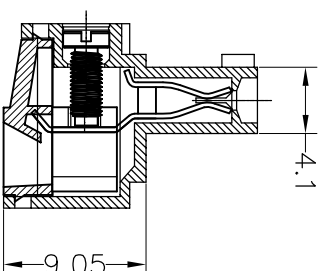
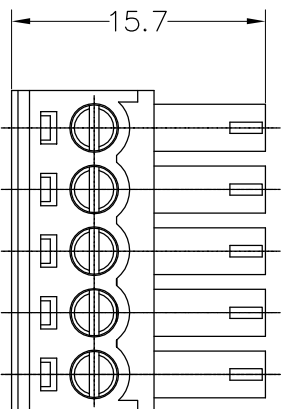
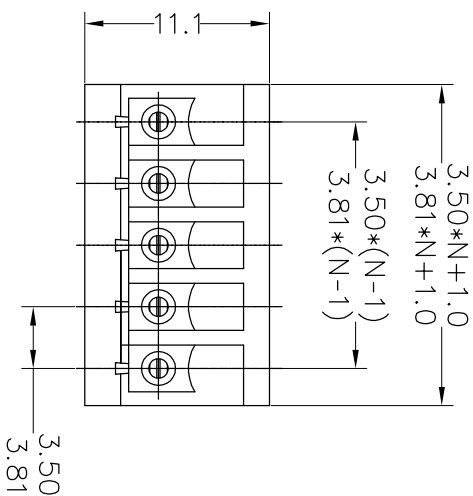
JL15EDGK-XXX XX G X 1

Pitch
 350=3.5PH
 381=3.81PH

No.of pins
 2P,3P,4P~24P

Housing Color
 B=Black
 G=Green
 U=Blue
 R=Red
 W=White
 Y=Yellow
 O=Orange
 E=Grey

Packing
 0=Pe
 bag
 A=Troy



OPERATION		DRAW		BEN		SCALE		FIT		PART NO.	
XX	±0.30				17.01.05	UNIT	mm	A4	1/1	JL15EDGK-XXXXGX1	
X:XX	±0.20	CHECK				SIZE				3.50/3.81 Pitch Female	
X:XXX	±0.10					SHEET				Pluggable Terminal Blocks	
Angle	±3°	APPROVE				PROU.				TITLE:	
DIM	TOL	CHANGE								MODIFICATION DESCRIPTION	
REV	DATE	NEW DRAWING								DATE	
1	2017.01.05									2017.01.05	



深圳市锦凌电子有限公司
 SHENZHEN JINLING ELECTRONIC CO.,LTD
 Tel: 86-755-2997-5806/5802 Fax: 86-755-2997-5992

X-ON Electronics

Largest Supplier of Electrical and Electronic Components

Click to view similar products for [Pluggable Terminal Blocks](#) category:

Click to view products by [JILN](#) manufacturer:

Other Similar products are found below :

[57.404.7553](#) [57.504.0053.7](#) [57.510.0053](#) [57.910.6153](#) [01.112.1453](#) [CTB932VE/6](#) [MC 1.5/ 6-ST-3.5 GY AU](#) [ET02015000J0G](#) [734-104](#) [734-302](#) [734-304](#) [8-141-P](#) [FKCT 2.5/ 3-ST KMGY](#) [860505](#) [860508](#) [860516](#) [860810](#) [861908](#) [GBPACX-12](#) [93.731.4953.0](#) [PV05-5,08-K](#) [PVP02-5,00](#) [PVP04-3,50](#) [PVS02-5,00](#) [1-1986160-3](#) [H-10](#) [1546228-5](#) [ELFH09150](#) [ELFH16150](#) [ELFP03110](#) [ELFT06250](#) [ELFT07250](#) [ELVF09400](#) [ELVP03100](#) [ELXH03100](#) [ELXH071G0E](#) [ELXP041G0](#) [ELXT046G0](#) [1700101](#) [1700410](#) [1700425](#) [1703176](#) [1703243](#) [1705229](#) [1710175](#) [1714537](#) [1717806](#) [1719600](#) [1728941](#) [1729386](#)