

SPECIFICATIONS

Rated(额定参数): 300V,8A
 Dielectric strength(抗电强度): AC1500V/1 Minute
 Insulation Resistance(绝缘电阻):1000MΩ Min
 Contact Resistance(接触电阻):20mΩ Max
 Screw Torque(扭矩): 0.2Nm (1.7Lb.in)
 Wire Range(线径):28~16AWG
 Strip length(剥线长度):6~7mm
 Temp. range(操作温度): -40℃~+105℃
 MAX Soldering(瞬时温度):+250℃,5s

Housing Material(塑件): PA66 (UL94 V-0)
 Contact(端子): Phosphor Bronze, Tin plating(磷铜镀镍)
 Clamp(方块): Brass(黄铜), Ni plating(镀镍)
 Screw (螺丝): M2.0 Steel, Zinc plating(钢,镀锌)

| PITCH RANGE | NOMINAL DIMENSION RANGE | | | | | |
|-------------|-------------------------|-------|-------|-------|-------|-------|
| | IN MM | | IN MM | | IN MM | |
| OVER | OVER | OVER | OVER | OVER | OVER | OVER |
| TO | TO | TO | TO | TO | TO | TO |
| 6 | 10 | 30 | 60 | 100 | 150 | 150 |
| 10 | 24 | 60 | 100 | 150 | 150 | 150 |
| ±0.10 | ±0.15 | ±0.25 | ±0.30 | ±0.50 | ±0.70 | ±1.00 |

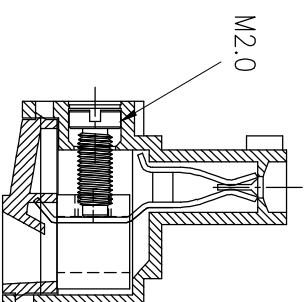
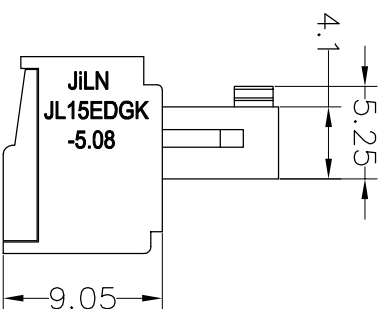
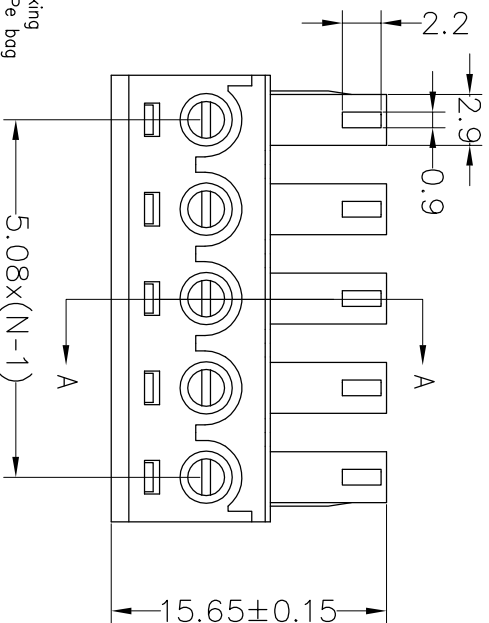
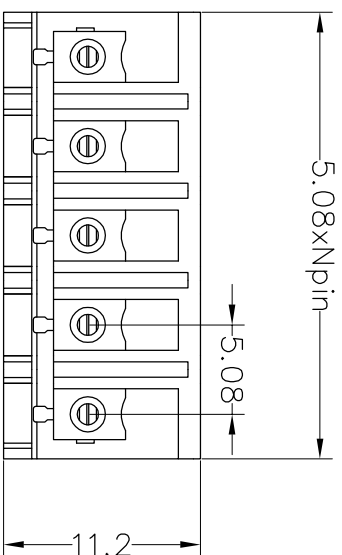
Ordering Information

JL15EDGK - 508 XX G X 1

Pitch
508=5.08PH
2P,3P,4P~16P
No.of pins

Housing Color
B=Black
G=Green
U=Blue
R=Red
W=White
Y=Yellow
O=Orange
E=Grey

Packing
0=Pe
bag
A=Troy



A-A
SECTION

| REV | DATE | MODIFICATION DESCRIPTION | CHANGE | DIM | TOL | APPROVE | SCALE | FIT | PROU. | TITLE: |
|-----|------------|--------------------------|--------|-------|-----|---------|-------|-----|-------|---|
| A0 | 2019.06.14 | NEW DRAWING | CHECK | Angle | ±3° | APPROVE | UNIT | A4 | 1/1 | PART NO. JL15EDGK-508XXGX1 |
| 1 | | | | | | | mm | | | 5.08 Pitch Female Pluggable Terminal Blocks |

JILN 深圳市锦凌电子有限公司
 SHENZHEN JINLING ELECTRONIC CO.,LTD
 Tel: 86-755-2997-5806/5802 Fax: 86-755-2997-5992

X-ON Electronics

Largest Supplier of Electrical and Electronic Components

Click to view similar products for [Pluggable Terminal Blocks](#) category:

Click to view products by [JILN](#) manufacturer:

Other Similar products are found below :

[57.510.0053](#) [721-104/026-047](#) [721-204/026-045](#) [MC 1.5/ 6-ST-3.5 GY AU](#) [ET02015000J0G](#) [860505](#) [860516](#) [860810](#) [GBPACX-12](#)
[93.731.4953.0](#) [PVP03-3,50](#) [PVS02-5,00](#) [1-1986160-3](#) [1377680000](#) [1531000000](#) [1546228-5](#) [ELFP03110](#) [ELFP10210](#) [ELFT07250](#)
[ELVD12100](#) [ELVF09400](#) [ELXH071G0E](#) [1725220000](#) [1760336](#) [1855000000](#) [19346](#) [1946309](#) [1973592](#) [19892](#) [25.320.4053.1](#) [25.320.4553.9](#)
[25.320.4753.1](#) [25.320.5453.1](#) [25.340.0353.1](#) [25.340.1053.1](#) [25.345.3553.0M001](#) [25.640.3553.1](#) [SH02-5,08](#) [SH06-3,81](#) [SH08-5,08](#) [SH08-](#)
[5,08-K](#) [SH12-5,08](#) [SHS04-5,00](#) [30.303](#) [30.305](#) [30.306](#) [PHP09-5,08](#) [25.193.0453.0](#) [25.320.4653.1](#) [25.332.2453.1](#)