

**SPECIFICATIONS**

Rated(额定参数): 300V,8A  
 Dielectric strength(抗电强度): AC1500V/1 Minute  
 Insulation Resistance(绝缘电阻):1000MΩ Min  
 Contact Resistance(接触电阻):20mΩ Max  
 Screw Torque(扭矩): 0.2Nm (1.7Lb.in)  
 Wire Range(线径):28~16AWG  
 Strip length(剥线长度):6~7mm  
 Temp. range(操作温度): -40℃~+105℃  
 MAX Soldering(瞬时温度):+250℃,5s

Housing Material(塑件): PA66 (UL94 V-0)  
 Contact(端子): Phosphor Bronze, Tin plating(磷铜镀镍)  
 Clamp(方块): Brass(黄铜), Ni plating(镀镍)  
 Screw (螺丝): M2.0 Steel, Zinc plating(钢,镀锌)

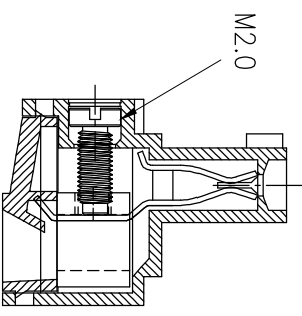
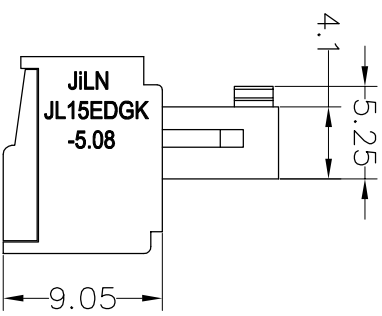
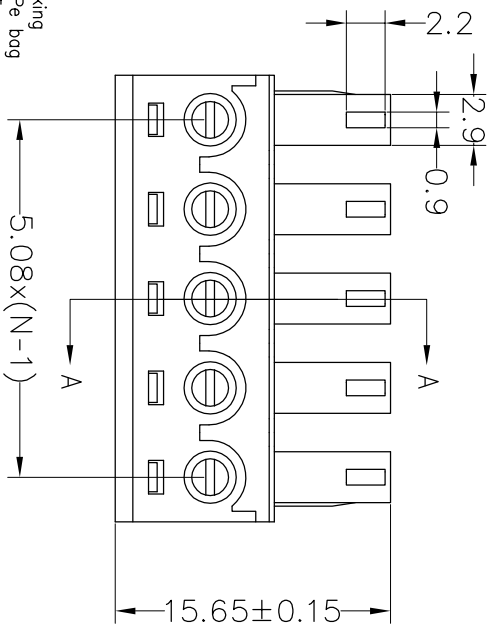
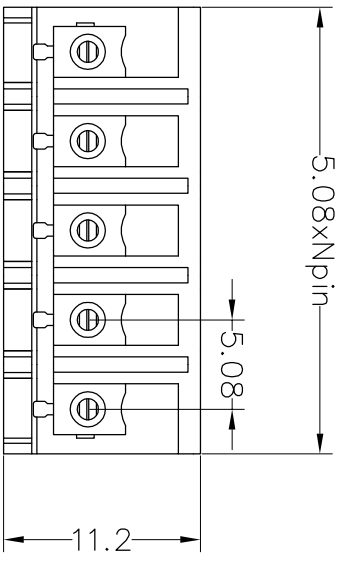
PITCH RANGE	NOMINAL DIMENSION RANGE					
	IN MM		IN MM		IN MM	
OVER	OVER	OVER	OVER	OVER	OVER	OVER
TO	TO	TO	TO	TO	TO	TO
6	10	30	60	100	150	150
10	24	30	60	100	150	150
±0.10	±0.15	±0.25	±0.30	±0.50	±0.70	±1.00

**Ordering Information**

**JL15EDGK - 508 XX G X 1**

Pitch  
508=5.08PH 2P,3P,4P~16P  
 No.of pins  
 Housing Color  
 B=Black  
 G=Green  
 U=Blue  
 R=Red  
 W=White  
 Y=Yellow  
 O=Orange  
 E=Grey

Packing  
0=Pe  
bag  
A=Troy



A-A  
SECTION

OPERATION	SCALE	FIT	UNIT	SIZE	SHEET	PROU.	DATE	MODIFICATION DESCRIPTION	CHANGE	DIM	TOL	APPROVE	SCALE	FIT	UNIT	SIZE	SHEET	PROU.	TITLE:	PART NO.
XX	±0.30		mm	A4	1/1		2019.06.14	NEW DRAWING											JL15EDGK-508XXGX1	
X:XX	±0.20		mm	A4	1/1															
X:XXX	±0.10		mm	A4	1/1															
Angle	±3°																			
REV	DATE	MODIFICATION DESCRIPTION		CHANGE	DIM	TOL	APPROVE													
1																				

**JILN** 深圳市锦凌电子有限公司  
 SHENZHEN JINLING ELECTRONIC CO.,LTD  
 Tel: 86-755-2997-5806/5802 Fax: 86-755-2997-5992

5.08 Pitch Female  
 Pluggable Terminal Blocks

## X-ON Electronics

Largest Supplier of Electrical and Electronic Components

*Click to view similar products for [Pluggable Terminal Blocks](#) category:*

*Click to view products by [JILN](#) manufacturer:*

Other Similar products are found below :

[57.510.0053](#) [MC 1.5/ 6-ST-3.5 GY AU](#) [ET02015000J0G](#) [734-104](#) [734-302](#) [860505](#) [860516](#) [860810](#) [GBPACX-12](#) [93.731.4953.0](#) [PV05-5,08-K](#) [PVP03-3,50](#) [PVP04-3,50](#) [PVS02-5,00](#) [1-1986160-3](#) [1377680000](#) [1531000000](#) [1546228-5](#) [ELFP03110](#) [ELFT07250](#) [ELVD12100](#) [ELVF09400](#) [ELVP03100](#) [ELXH071G0E](#) [1700410](#) [1702246](#) [1705229](#) [1714537](#) [1717806](#) [1719600](#) [1728941](#) [1734692](#) [1734795](#) [1740291](#) [1740628](#) [1746952](#) [1750207](#) [1752865](#) [1754115](#) [1754144](#) [1756913](#) [1760051](#) [1760336](#) [1765111](#) [1776388](#) [1777701](#) [1783410](#) [1800227](#) [1801080](#) [1809474](#)