

HSF RoHS

SPECIFICATIONS

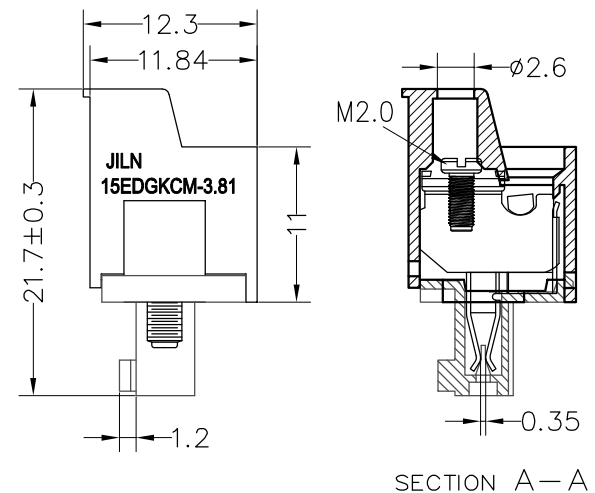
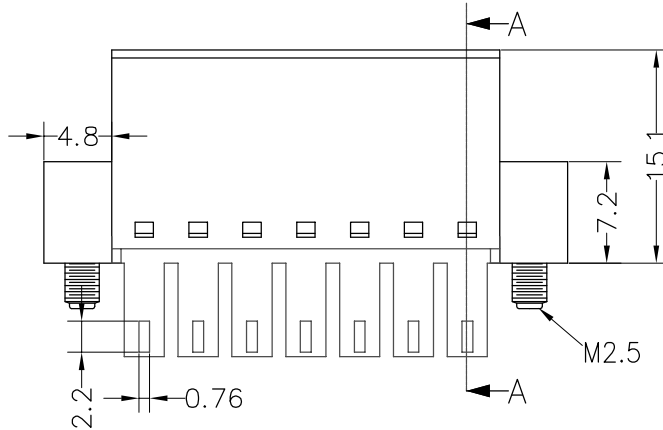
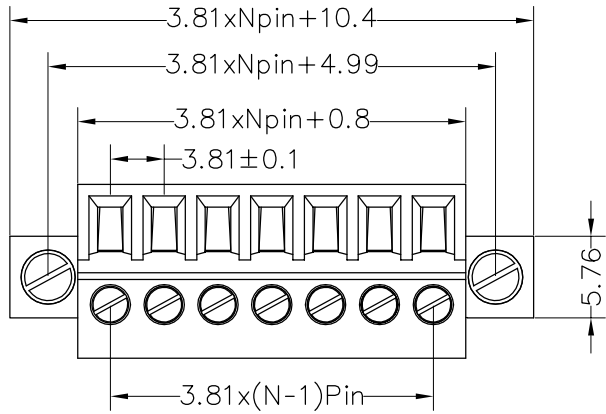
Rated(额定参数): 300V,8A
 Dielectric strength(抗电强度): AC1500V/1 Minute
 Insulation Resistance(绝缘电阻):1000MΩ Min
 Contact Resistance(接触电阻):20mΩ Max
 Screw Torque(扭矩): 0.2Nm (1.7Lb.in)
 Wire Range(线径):16~28AWG
 Strip length(剥线长度):6~7mm
 Temp. range(操作温度): -40℃~+105℃
 MAX Soldering(瞬时温度):+260℃,5s

IEC Standard

| | | | |
|--------------------------|-------|-------|-------|
| Pollution degree | 2 | 2 | 3 |
| Overvoltage category | II | III | III |
| Rate impulse voltage(KV) | 2.5KV | 2.5KV | 2.5KV |
| Rate voltage(V) | 320V | 250V | 160V |
| Rate current(A) | 8A | | |

Housing Material(塑件): PA66 (UL94 V-0)
 Contact(端子): Phosphor Bronze, Tin plating(磷铜镀镍)
 Clamp(方块): Brass(黄铜), Ni plating(镀镍)
 Screw (螺丝): M2.0 Steel, Zinc plating(钢,镀锌)

| PITCH RANGE IN MM | | | NOMINAL DIMENSION RANGE IN MM | | | | |
|----------------------|-------|-------|----------------------------------|-------|-------|-------|-------|
| TO | OVER | OVER | TO | OVER | OVER | OVER | OVER |
| 6 | 10 | 10 | 30 | 30 | 60 | 100 | 150 |
| 10 | 24 | 24 | 60 | 60 | 100 | 150 | 150 |
| ±0.10 | ±0.15 | ±0.25 | ±0.30 | ±0.30 | ±0.50 | ±0.70 | ±1.00 |



Ordering Information

JL15EDGKCM - 381 XX G 0 1

Pitch
381=3.81PH

No. of pins
2P,3P,4P~24P

Housing Color
 B=Black
 G=Green
 U=Blue
 R=Red
 W=White
 Y=Yellow
 O=Orange
 E=Grey

Packing
 0=Pe bag
 T=Tube
 A=Tray

| | | | |
|---------|------------------|-------|-----|
| DRAW | SHUANGPING ZHENG | SCALE | FIT |
| CHECK | LICHAO LIU | UNIT | mm |
| APPROVE | YONGLIANG GAO | SIZE | A4 |
| | | SHEET | 1/1 |
| | | PROJ. | |

JILN 东莞市锦凌电子有限公司
 DONGGUAN JINLING ELECTRONIC CO.,LTD

| | |
|----------|-------------------------------------|
| PART NO. | JL15EDGKCM-381XXG01 |
| TITLE: | JL15EDGKCM-3.81-XXP插拔式母座/PA66/绿色/带耳 |

X-ON Electronics

Largest Supplier of Electrical and Electronic Components

Click to view similar products for [Pluggable Terminal Blocks](#) category:

Click to view products by [JILN](#) manufacturer:

Other Similar products are found below :

[57.510.0053](#) [721-104/026-047](#) [721-204/026-045](#) [MC 1.5/ 6-ST-3.5 GY AU](#) [ET02015000J0G](#) [860505](#) [860516](#) [860810](#) [GBPACX-12](#)
[93.731.4953.0](#) [PVP03-3,50](#) [PVS02-5,00](#) [1-1986160-3](#) [1377680000](#) [1531000000](#) [1546228-5](#) [ELFP03110](#) [ELFP10210](#) [ELFT07250](#)
[ELVD12100](#) [ELVF09400](#) [ELXH071G0E](#) [1725220000](#) [1760336](#) [1855000000](#) [19346](#) [1946309](#) [1973592](#) [19892](#) [25.320.4053.1](#) [25.320.4553.9](#)
[25.320.4753.1](#) [25.320.5453.1](#) [25.340.0353.1](#) [25.340.1053.1](#) [25.345.3553.0M001](#) [25.640.3553.1](#) [SH02-5,08](#) [SH06-3,81](#) [SH08-5,08](#) [SH08-](#)
[5,08-K](#) [SH12-5,08](#) [SHS04-5,00](#) [30.303](#) [30.305](#) [30.306](#) [PHP09-5,08](#) [25.193.0453.0](#) [25.320.4653.1](#) [25.332.2453.1](#)