

SPECIFICATIONS

Rated(额定参数): 300V,8A
 Dielectric strength(抗电强度): AC1500V/1 Minute
 Insulation Resistance(绝缘电阻):1000MΩ Min
 Contact Resistance(接触电阻):20mΩ Max
 Wire Range(线径):28~16AWG
 Strip length(剥线长度):8~9mm
 Temp. range(操作温度):-40℃~+105℃
 MAX Soldering(瞬时温度):+250℃,5s

Housing Material(塑件): PA66 (UL94 V-0)
 Contact(端子): Phosphor Bronze, Tin plating(磷铜镀锡)

PITCH RANGE IN MM	NOMINAL DIMENSION RANGE IN MM				
	OVER 6	OVER 10	OVER TO 30	OVER TO 60	OVER TO 100
±0.10	±0.15	±0.25	±0.30	±0.30	±0.50
TO 6	TO 10	TO 24	TO 30	TO 60	TO 100
					TO 150
					±1.00

Ordering Information

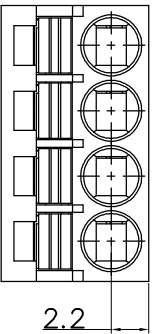
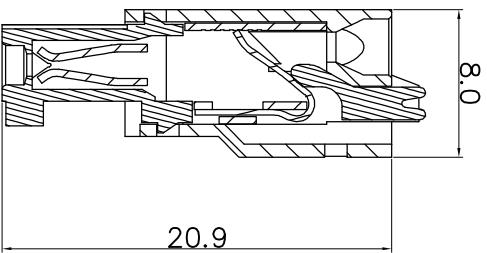
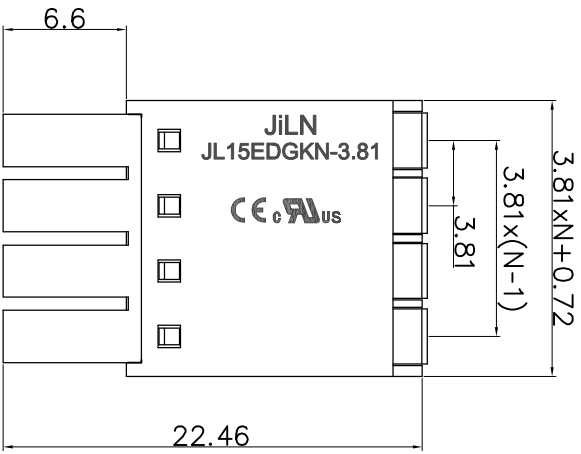
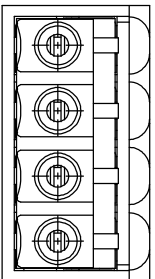
JL15EDGKN - 381 XX G 0 1

Pitch
381=3.81PH

No.of pins
2P,3P,4P~24P

Housing Color
B=Black
G=Green
U=Blue
R=Red
W=White
Y=Yellow
O=Orange
E=Grey

Packing
0=Pe bog
A=Tray



REVISION RECORD			
REV	ECN	DESCRIPTION	DATE

DRAW	SHUANGPING ZHENG		SCALE	FIT	PART NO.	TITLE:
	CHECK	LICHAO LIU	UNIT	mm		
APPROVE	YONGLANG GAO		SIZE	A4	JL15EDGKN-381XXG01	JL15EDGKN-381-XXP插拔式母座/绿色
			SHEET	1/1		
			PROJ.			

JILIN 东莞市锦凌电子有限公司
 DONGGUAN JINLING ELECTRONIC CO., LTD

1 2 3 4 5 6 7 8 9

A B C D E F G

X-ON Electronics

Largest Supplier of Electrical and Electronic Components

Click to view similar products for [Pluggable Terminal Blocks](#) category:

Click to view products by [JILN](#) manufacturer:

Other Similar products are found below :

[57.510.0053](#) [MC 1.5/ 6-ST-3.5 GY AU](#) [ET02015000J0G](#) [860505](#) [860516](#) [860810](#) [GBPACX-12](#) [93.731.4953.0](#) [PV05-5,08-K](#) [PVP03-3,50](#)
[PVS02-5,00](#) [1-1986160-3](#) [1377680000](#) [1531000000](#) [1546228-5](#) [ELFP03110](#) [ELFP10210](#) [ELFT07250](#) [ELVD12100](#) [ELVF09400](#)
[ELVP03100](#) [ELXH071G0E](#) [1700410](#) [1746952](#) [1760336](#) [1800272](#) [1809474](#) [1855000000](#) [19346](#) [1946309](#) [1950227](#) [1973592](#) [19892](#)
[25.320.4053.1](#) [25.320.4553.9](#) [25.320.4753.1](#) [25.320.5453.1](#) [25.340.0353.1](#) [25.340.1053.1](#) [25.345.3553.0M001](#) [25.640.3553.1](#) [SH02-5,08](#)
[SH06-3,81](#) [SH08-5,08](#) [SH08-5,08-K](#) [SH12-5,08](#) [SHS04-5,00](#) [30.303](#) [30.305](#) [30.306](#)