

REVISION RECORD				
REV	ECN	DESCRIPTION	DRFT	DATE
A0		NEW		21.05.17

NOTES1:
 UL Standard
 1. Rated voltage/current : 300V / 8A
 2. Withstanding voltage : AC1600V/1Min.
 3. Wire range : 24~16AWG

IEC Standard

1.

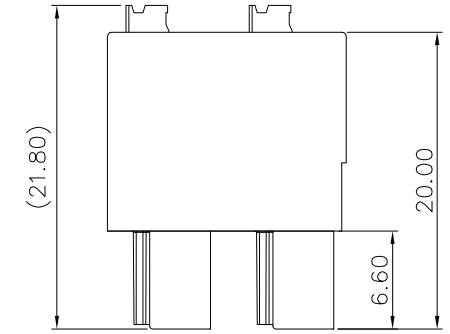
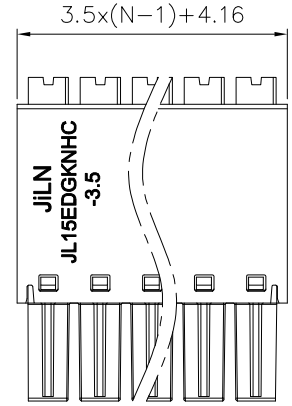
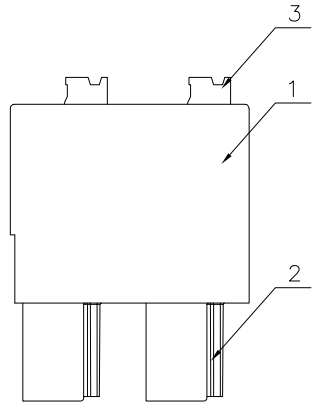
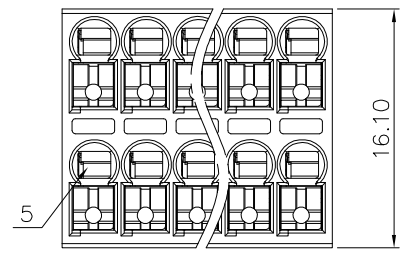
Pollution degree	2	2	3
Overvoltage category	II	III	III
Rate impulse voltage(KV)	2.5KV	2.5KV	2.5KV
Rate voltage(V)	320V	160V	160V
Rate current(A)	8A		

2. Wire range : 0.2~1.0mm², 1.5mm²(sol)

NOTES2:
 1. Dimension shall be interpreted per ASME Y14.5-2009
 2. Pitch : 3.50mm, Poles : N=04~48P
 3. Stripping length : 8~9mm
 4. Operating temperature: -40°C~+105°C
 5. Undimensioned tolerances:

Pitch range in mm		Nominal dimension range in mm							
TO	Over	Over	Over	Over	Over	Over	0.1/10		
6	10	10	24	30	60	100	150		
±0.15	±0.20	±0.30	±0.30	±0.50	±0.70	±1.00	±1.30	±2'	

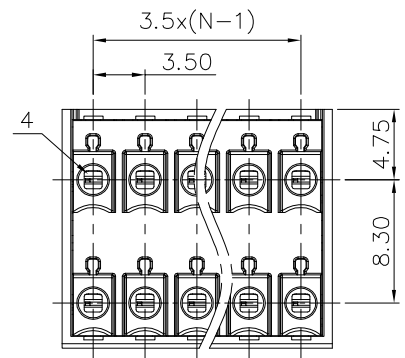
6. RoHS Compliance



Ordering Information

JL15EDGKNHC-350 XX G 0 1

Pitch 350=3.50PH
 No. of pins 4P~48P
 Housing Color B=Black G=Green U=Blue R=Red W=White Y=Yellow O=Orange E=Grey
 Packing 0=Pe bag T=Tube A=Tray



5	Spring	Stainless Steel	/
4	Clamp	Copper alloy	Sn Plated
3	Button	PA66+GF	UL94V-0
2	Cover	PA66	UL94V-0
1	Housing	PA66	UL94V-0
ITEM	NAME OF PART	MATERIAL	NOTES

DRAW	SHUANGPING ZHENG	SCALE	FIT
CHECK	LICHAD LIU	UNIT	mm
APPROVE	YONGLIANG GAO	SIZE	A4
		SHEET	1/1
		PROJ.	

JILN 东莞市锦凌电子有限公司
 DONGGUAN JINLING ELECTRONIC CO.,LTD

PART NO. JL15EDGKNHC-350XXG01
 TITLE: JL15EDGKNHC-3.5-2XNP 插拔式母座/绿色

X-ON Electronics

Largest Supplier of Electrical and Electronic Components

Click to view similar products for [Pluggable Terminal Blocks](#) category:

Click to view products by [JILN](#) manufacturer:

Other Similar products are found below :

[57.510.0053](#) [MC 1.5/ 6-ST-3.5 GY AU](#) [ET02015000J0G](#) [860505](#) [860516](#) [860810](#) [GBPACX-12](#) [93.731.4953.0](#) [PV05-5,08-K](#) [PVP03-3,50](#)
[PVS02-5,00](#) [1-1986160-3](#) [1377680000](#) [1531000000](#) [1546228-5](#) [ELFP03110](#) [ELFP10210](#) [ELFT07250](#) [ELVD12100](#) [ELVF09400](#)
[ELVP03100](#) [ELXH071G0E](#) [1700410](#) [1702246](#) [1705229](#) [1714537](#) [1717806](#) [1719600](#) [1728941](#) [1734692](#) [1740291](#) [1740628](#) [1740990](#)
[1746952](#) [1752865](#) [1754115](#) [1754144](#) [1756913](#) [1760051](#) [1760336](#) [1765111](#) [1776388](#) [1777701](#) [1783410](#) [1800227](#) [1801080](#) [1809474](#)
[1812513](#) [1823215](#) [1836066](#)