

NOTES1:

- UL Standard
- 1. Rated voltage/current : 300V / 8A
- 2. Withstanding voltage : AC1600V/1Min.
- 3. Wire range : 24~16AWG

IEC Standard

1. Pollution degree	2	2	3
Overvoltage category	II	III	III
Rate impulse voltage(KV)	2.5KV	2.5KV	2.5KV
Rate voltage(V)	320V	160V	160V
Rate current(A)	8A		

- 2. Wire range : 0.2~1.0mm<sup>2</sup>, 1.5mm<sup>2</sup>(sol)

NOTES2:

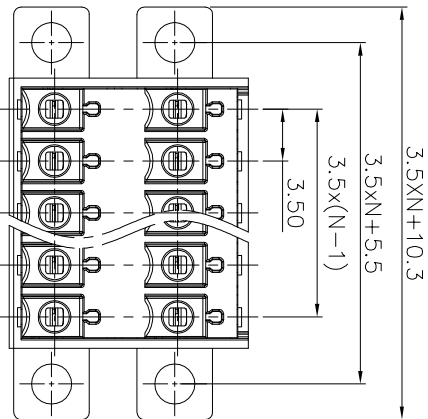
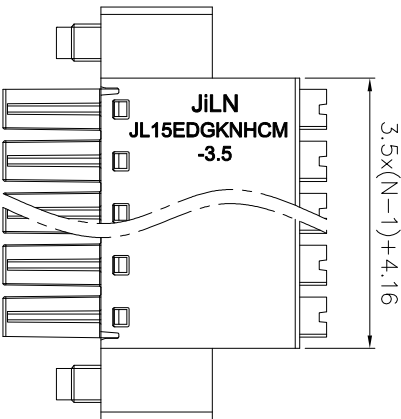
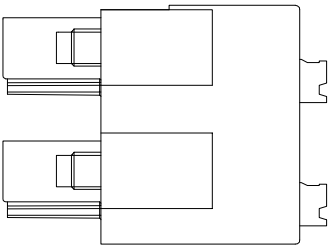
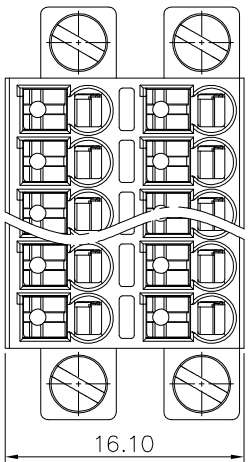
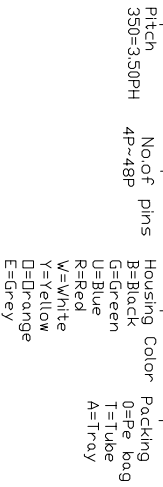
- 1. Dimension shall be interpreted per ASME Y14.5-2009
- 2. Pitch : 3.50mm, Poles : N=04~48P
- 3. Stripping length : 8~9mm
- 4. Operating temperature: -40°C~+105°C
- 5. Undimensioned tolerances:

Pitch range in mm	Nominal dimension		range		mm			
	Over	In	Over	Over				
6	10	TO	30	60	0.1/10			
10	10	TO	100	100				
24	30	TO	100	150	≤			
6	10	TO	60	100				
10	10	TO	100	150				
±0.15	±0.20	±0.30	±0.30	±0.50	±0.70	±1.00	±1.30	±2°

6. RoHS Compliance

Ordering Information

JL15EDGKNHCM-350 XX G 0 1



REVISION RECORD				
REV	ECN	DESCRIPTION	DRFT	DATE
A0		NEW		21.06.08

DRAW	SHUANGPING ZHENG
CHECK	LICHAD LIU
APPROVE	YONGLIANG GAO

SCALE	FIT
UNIT	mm
SIZE	A4
SHEET	1/1
PRD J	

**JILIN** 东莞市锦凌电子有限公司  
DONGGUAN JINLING ELECTRONIC CO., LTD

PART NO. JL15EDGKNHCM-350XXG01

TITLE: JL15EDGKNHCM-3.5-2XNP 插拔式母座绿色

## X-ON Electronics

Largest Supplier of Electrical and Electronic Components

*Click to view similar products for [Pluggable Terminal Blocks](#) category:*

*Click to view products by [JILN](#) manufacturer:*

Other Similar products are found below :

[57.510.0053](#) [721-104/026-047](#) [721-204/026-045](#) [MC 1.5/ 6-ST-3.5 GY AU](#) [ET02015000J0G](#) [860505](#) [860516](#) [860810](#) [GBPACX-12](#)  
[93.731.4953.0](#) [PVP03-3,50](#) [PVS02-5,00](#) [1-1986160-3](#) [1377680000](#) [1531000000](#) [1546228-5](#) [ELFP03110](#) [ELFP10210](#) [ELFT07250](#)  
[ELVD12100](#) [ELVF09400](#) [ELXH071G0E](#) [1725220000](#) [1760336](#) [1855000000](#) [19346](#) [1946309](#) [1973592](#) [19892](#) [25.320.4053.1](#) [25.320.4553.9](#)  
[25.320.4753.1](#) [25.320.5453.1](#) [25.340.0353.1](#) [25.340.1053.1](#) [25.345.3553.0M001](#) [25.640.3553.1](#) [SH02-5,08](#) [SH06-3,81](#) [SH08-5,08](#) [SH08-](#)  
[5,08-K](#) [SH12-5,08](#) [SHS04-5,00](#) [30.303](#) [30.305](#) [30.306](#) [PHP09-5,08](#) [25.193.0453.0](#) [25.320.4653.1](#) [25.332.2453.1](#)