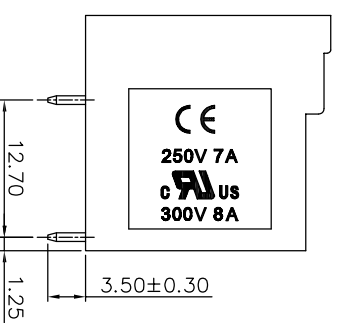
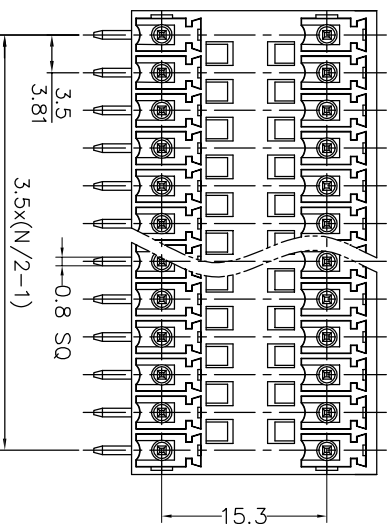
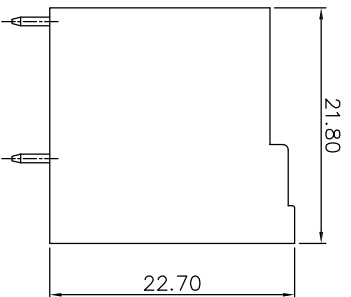


HSF ROHS cPAJ us CE

SPECIFICATIONS

Rated(额定参数): 300V,8A
 Dielectric strength(抗电强度): AC:1500V/1 Minute
 Insulation Resistance(绝缘电阻):1000MΩ Min
 Contact Resistance(接触电阻):20mΩ Max
 Temp. range(操作温度): -40℃~+105℃
 MAX Soldering(瞬时温度):+250℃,5s

Housing Material(塑件): PA66 (UL94 V-0)
 Contact(端子): Brass, Tin plating(黄铜镀锡)



PITCH RANGE		NOMINAL DIMENSION RANGE					
IN MM		IN MM		IN MM		IN MM	
OVER	TO	OVER	TO	OVER	TO	OVER	TO
6	10	30	60	100	100	150	150
10	24	60	100	150	150	150	150
±0.10	±0.15	±0.25	±0.30	±0.50	±0.70	±1.00	±1.00

Ordering Information

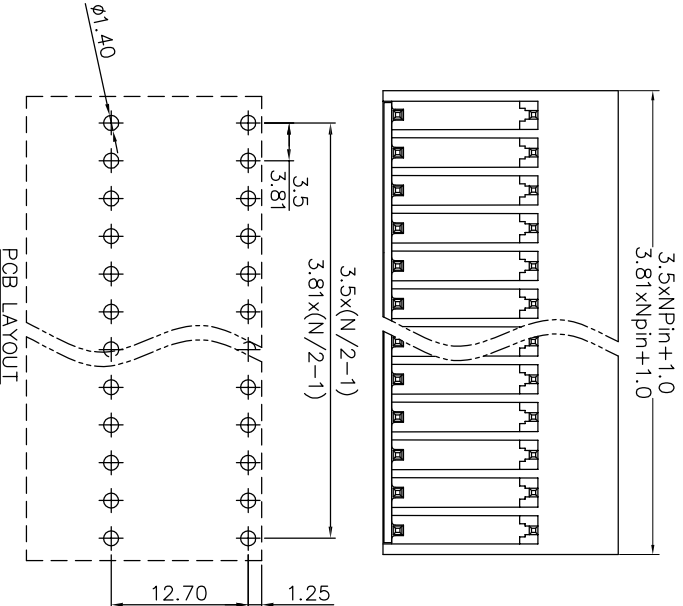
JL15EDGRH-XXX XX X X 1

Pitch
 350=3.50PH
 381=3.81PH

No. of pins
 2P~24P

Housing Color
 B=Black
 G=Green
 U=Blue
 R=Red
 W=White
 Y=Yellow
 O=Orange
 E=Grey

Packing
 0=Pe bog
 T=Tube
 A=Troy



OPERATION		DRAW		SCALE		FIT		PART NO.	
XX	±0.30	yiyusheng	2020.03.13	UNIT	mm	A4	1/1	JL15EDGRH-XXXXXXX1	
X.XX	±0.20	CHECK		SIZE				3.5/3.81mm Pitch Male	
X:XXX	±0.10	APPROVE		SHEET	1/1			Pluggable Terminal Blocks	
Angle	±3°			PROJ.					
DIM	TOL	CHANGE							
REV	DATE	MODIFICATION DESCRIPTION							
1									

JILN 深圳市锦凌电子有限公司
 SHENZHEN JINLING ELECTRONIC CO.,LTD
 Tel: 86-755-2997-5806/5802 Fax: 86-755-2997-5992

X-ON Electronics

Largest Supplier of Electrical and Electronic Components

Click to view similar products for [Pluggable Terminal Blocks](#) category:

Click to view products by [JILN](#) manufacturer:

Other Similar products are found below :

[57.510.0053](#) [721-104/026-047](#) [721-204/026-045](#) [MC 1.5/ 6-ST-3.5 GY AU](#) [ET02015000J0G](#) [860505](#) [860516](#) [860810](#) [GBPACX-12](#)
[93.731.4953.0](#) [PVP03-3,50](#) [PVS02-5,00](#) [1-1986160-3](#) [1377680000](#) [1531000000](#) [1546228-5](#) [ELFP03110](#) [ELFP10210](#) [ELFT07250](#)
[ELVD12100](#) [ELVF09400](#) [ELXH071G0E](#) [1725220000](#) [1760336](#) [1855000000](#) [19346](#) [1946309](#) [1973592](#) [19892](#) [25.320.4053.1](#) [25.320.4553.9](#)
[25.320.4753.1](#) [25.320.5453.1](#) [25.340.0353.1](#) [25.340.1053.1](#) [25.345.3553.0M001](#) [25.640.3553.1](#) [SH02-5,08](#) [SH06-3,81](#) [SH08-5,08](#) [SH08-](#)
[5,08-K](#) [SH12-5,08](#) [SHS04-5,00](#) [30.303](#) [30.305](#) [30.306](#) [PHP09-5,08](#) [25.193.0453.0](#) [25.320.4653.1](#) [25.332.2453.1](#)