

NOTES1:

- UL Standard
- 1. Rated voltage/current : 150V / 8A
- 2. Withstanding voltage : AC1250V/1Min.

IEC Standard

1. Pollution degree	2
Overvoltage category	III
Rate impulse voltage(KV)	2.5KV
Rate voltage(V)	320V
Rate current(A)	10A

NOTES2:

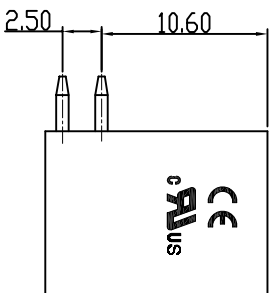
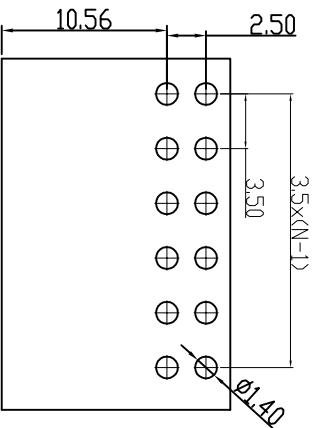
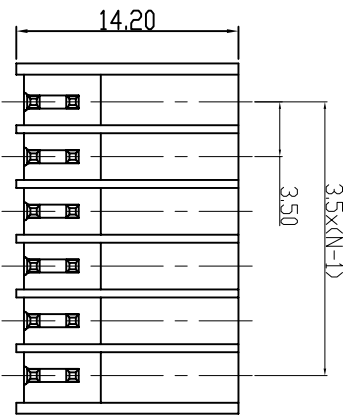
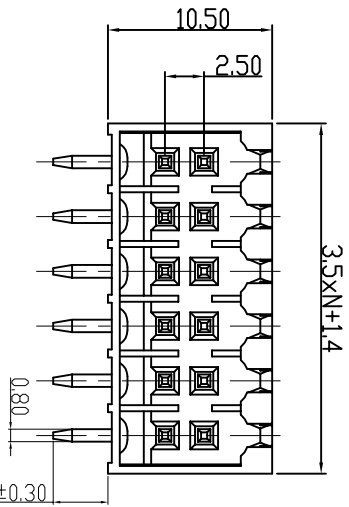
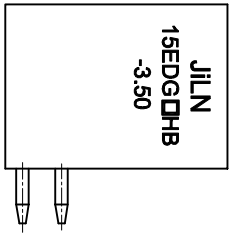
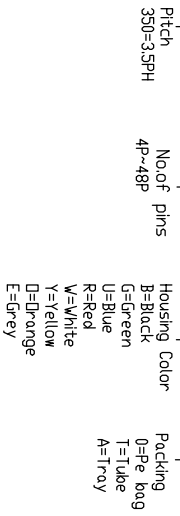
- 1. Dimension shall be interpreted per ASME Y14.5-2009
- 2. Pitch : 3.5mm, Poles : N=04~48P
- 3. Operating temperature: -40°C~+105°C
- 4. Undimensioned tolerances:

Pitch range in mm	Over	Nominal dimension in mm	Over	Over	Over	Over	Over	Over
6 TO 10	6	10	30	60	100	150	0.1/10	≤
10 TO 24	10	24	30	60	100	150	±0.15	±0.20
			±0.30	±0.50	±0.70	±1.00	±1.30	±2°

5. RoHS Compliance

Ordering Information

JL15EDGRHB-350 XX B 0 1



REVISION RECORD			
REV	ECN	DESCRIPTION	DRFT DATE
A		NEW	21.12.15

2	Pin2	Copper	Sn Plated
1	Housing	PA66	UL94V-0
ITEM	NAME OF PART	MATERIAL	NOTES

DRAW	SHUANGPING ZHENG	SCALE	FIT	PART NO.	JL15EDGRHB-350XXB01
CHECK	LICHAD LIU	UNIT	mm		
APPROVE	YONGLIANG GAO	SIZE	A4	TITLE:	JL15EDGRHB-THR-3.5-2XNP插拔式公座/弯针黑色
		SHEET	1/1		
		PRD.			

JILIN 东莞市锦凌电子有限公司
DONGGUAN JINLING ELECTRONIC CO., LTD

X-ON Electronics

Largest Supplier of Electrical and Electronic Components

Click to view similar products for [Pluggable Terminal Blocks](#) category:

Click to view products by [JILN](#) manufacturer:

Other Similar products are found below :

[57.510.0053](#) [721-104/026-047](#) [721-204/026-045](#) [MC 1.5/ 6-ST-3.5 GY AU](#) [ET02015000J0G](#) [860505](#) [860516](#) [860810](#) [GBPACX-12](#)
[93.731.4953.0](#) [PVP03-3,50](#) [PVS02-5,00](#) [1-1986160-3](#) [1377680000](#) [1531000000](#) [1546228-5](#) [ELFP03110](#) [ELFP10210](#) [ELFT07250](#)
[ELVD12100](#) [ELVF09400](#) [ELXH071G0E](#) [1725220000](#) [1760336](#) [1855000000](#) [19346](#) [1946309](#) [1973592](#) [19892](#) [25.320.4053.1](#) [25.320.4553.9](#)
[25.320.4753.1](#) [25.320.5453.1](#) [25.340.0353.1](#) [25.340.1053.1](#) [25.345.3553.0M001](#) [25.640.3553.1](#) [SH02-5,08](#) [SH06-3,81](#) [SH08-5,08](#) [SH08-](#)
[5,08-K](#) [SH12-5,08](#) [SHS04-5,00](#) [30.303](#) [30.305](#) [30.306](#) [PHP09-5,08](#) [25.193.0453.0](#) [25.320.4653.1](#) [25.332.2453.1](#)