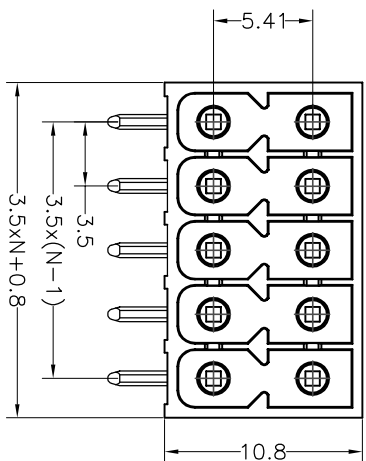
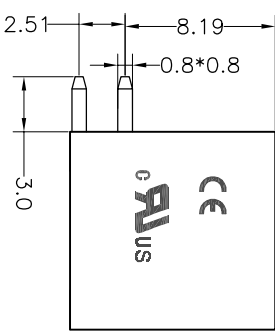
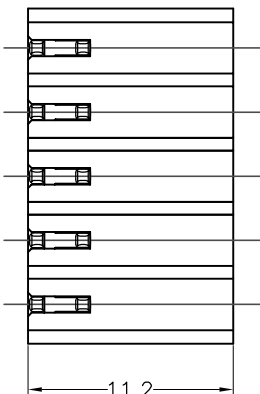
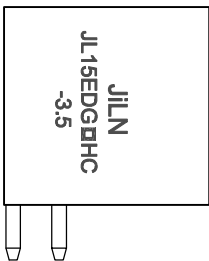


SPECIFICATIONS

Rated(额定参数): 300V,8A
 Dielectric strength(抗电强度): AC1600V/1 Minute
 Insulation Resistance(绝缘电阻):1000MΩ Min
 Contact Resistance(接触电阻):20mΩ Max
 Temp. range(操作温度): -40℃~+105℃
 MAX Soldering(瞬时温度):+260℃,5s

Housing Material(塑件): LCP (UL94 V-0)
 Contact(端子): Brass, Tin plating(黄铜镀锡)

| PITCH RANGE | | NOMINAL DIMENSION RANGE | | | | |
|-------------|-------|-------------------------|-------|-------|-------|----------|
| IN MM | OVER | IN MM | OVER | OVER | OVER | OVER |
| TO 6 | 10 | TO 10 | 30 | 60 | 100 | OVER 150 |
| TO 10 | 24 | TO 24 | 30 | 60 | 100 | OVER 150 |
| ±0.10 | ±0.15 | ±0.25 | ±0.30 | ±0.30 | ±0.50 | ±0.70 |
| | | | | | | ±1.00 |

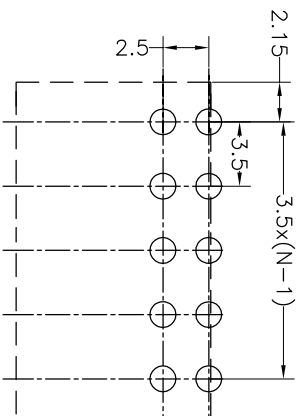


| REVISION RECORD | | | | |
|-----------------|-----|-------------|------|---------|
| REV | ECN | DESCRIPTION | DRFT | DATE |
| A0 | | NEW | | 21.8.16 |

Ordering Information

JL15EDGRHC - 350 XX B XX

Pitch 350=3.5PH
 No.of pins 4P~48P
 Housing Color
 B=Black
 G=Green
 U=Blue
 R=Red
 W=White
 Y=Yellow
 O=Orange
 E=Grey
 Packing
 0=Pe bog
 T=Tube
 A=Troy



Recommended P.C.B Layout(Top Side)

| | | | | | | |
|---------|------------------|------------|-------|-----|----------|---|
| DRAW | SHUANGPING ZHENG | | SCALE | FIT | PART NO. | JL15EDGRHC-350XXBXX |
| | CHECK | LICHAO LIU | UNIT | mm | | |
| APPROVE | YONGLANG GAO | | SIZE | A4 | TITLE: | JL15EDGRHC-THR-3.5-2XNP插拔式公座/PA66+25GF/黑色/PC3.0 |
| | | | SHEET | 1/1 | | |
| | | | PROJ. | | | |

JILIN 东莞市锦凌电子有限公司
 DONGGUAN JILINING ELECTRONIC CO.,LTD

X-ON Electronics

Largest Supplier of Electrical and Electronic Components

Click to view similar products for [Pluggable Terminal Blocks](#) category:

Click to view products by [JILN](#) manufacturer:

Other Similar products are found below :

[57.510.0053](#) [721-104/026-047](#) [721-204/026-045](#) [MC 1.5/ 6-ST-3.5 GY AU](#) [ET02015000J0G](#) [860505](#) [860516](#) [860810](#) [GBPACX-12](#)
[93.731.4953.0](#) [PVP03-3,50](#) [PVS02-5,00](#) [1-1986160-3](#) [1377680000](#) [1531000000](#) [1546228-5](#) [ELFP03110](#) [ELFP10210](#) [ELFT07250](#)
[ELVD12100](#) [ELVF09400](#) [ELXH071G0E](#) [1725220000](#) [1760336](#) [1855000000](#) [19346](#) [1946309](#) [1973592](#) [19892](#) [25.320.4053.1](#) [25.320.4553.9](#)
[25.320.4753.1](#) [25.320.5453.1](#) [25.340.0353.1](#) [25.340.1053.1](#) [25.345.3553.0M001](#) [25.640.3553.1](#) [SH02-5,08](#) [SH06-3,81](#) [SH08-5,08](#) [SH08-](#)
[5,08-K](#) [SH12-5,08](#) [SHS04-5,00](#) [30.303](#) [30.305](#) [30.306](#) [PHP09-5,08](#) [25.193.0453.0](#) [25.320.4653.1](#) [25.332.2453.1](#)