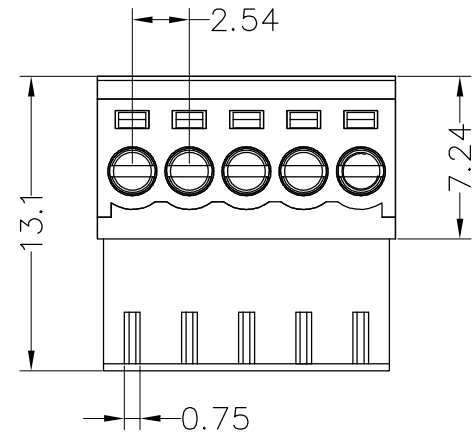
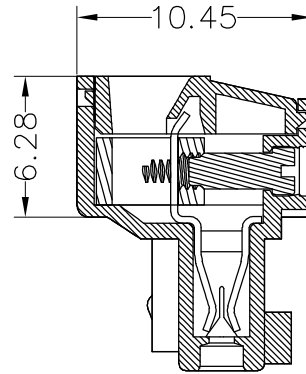




SPECIFICATIONS

Rated(额定参数): 125V,4A
 Dielectric strength(抗电强度): AC1500V/1 Minute
 Insulation Resistance(绝缘电阻):1000MΩ Min
 Contact Resistance(接触电阻):20mΩ Max
 Screw Torque(扭矩): 0.1Nm (0.9Lb.in)
 Wire Range(线径):28~20AWG
 Strip length(剥线长度):5~6mm
 Temp. range(操作温度): -40℃~+105℃
 MAX Soldering(瞬时温度):+250℃,5s

Housing Material(塑件): PA66 (UL94 V-0)
 Contact(端子): Brass, Tin plating(黄铜镀镍)
 Clamp(方块): Brass/Steel(铜/铁), Ni plating(镀镍)
 Screw (螺丝): M2, Steel, Zinc plating(钢,镀锌)

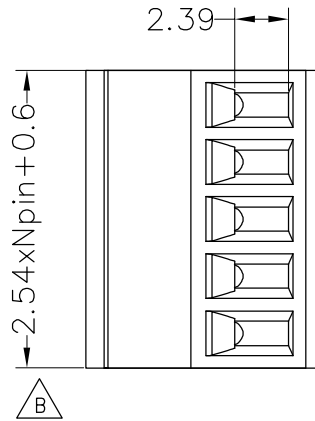


PITCH RANGE IN MM			NOMINAL DIMENSION RANGE IN MM				
TO	OVER	OVER	TO	OVER	OVER	OVER	OVER
6	6 TO 10	10 TO 24	30	30 TO 60	60 TO 100	100 TO 150	150
±0.10	±0.15	±0.25	±0.30	±0.30	±0.50	±0.70	±1.00

Ordering Information

JL15EDGY - 254 XX X X 1

Pitch 254=2.54PH
 No.of pins 2P,3P,4P~24P
 Housing Color
 B=Black
 G=Green
 U=Blue
 R=Red
 W=White
 Y=Yellow
 O=Orange
 E=Grey
 Packing
 0=Pe bag
 T=Tube
 A=Tray



					OPERATION			SCALE	FIT	JILN ® 深圳市锦凌电子有限公司 SHENZHEN JINLING ELECTRONIC CO.,LTD Tel: 86-755-2997-5806/5802 Fax: 86-755-2997-5992		
					X.X ±0.30	DRAW	yiyusheng	19.01.11	UNIT	mm	PART NO.	JL15EDGY-254XXXX1
B	2019.01.11	Change Size			X.XX ±0.20	CHECK			SIZE	A4		
A0	2017.03.10	NEW DRAWING			X.XXX ±0.10				SHEET	1/1	TITLE:	2.54 Pitch Female Pluggable Terminal Blocks
REV	DATE	MODIFICATION DESCRIPTION	CHANGE		Angle ±3°	APPROVE			PROJ.			
					DIM TOL							

X-ON Electronics

Largest Supplier of Electrical and Electronic Components

Click to view similar products for [Pluggable Terminal Blocks](#) category:

Click to view products by [JILN](#) manufacturer:

Other Similar products are found below :

[57.510.0053](#) [MC 1.5/ 6-ST-3.5 GY AU](#) [ET02015000J0G](#) [734-104](#) [734-302](#) [860505](#) [860516](#) [860810](#) [GBPACX-12](#) [93.731.4953.0](#) [PV05-5,08-K](#) [PVP03-3,50](#) [PVP04-3,50](#) [PVS02-5,00](#) [1-1986160-3](#) [1377680000](#) [1531000000](#) [1546228-5](#) [ELFP03110](#) [ELFT07250](#) [ELVD12100](#) [ELVF09400](#) [ELVP03100](#) [ELXH071G0E](#) [1700410](#) [1702246](#) [1705229](#) [1714537](#) [1717806](#) [1719600](#) [1728941](#) [1734692](#) [1734795](#) [1740291](#) [1740628](#) [1746952](#) [1750207](#) [1752865](#) [1754115](#) [1754144](#) [1756913](#) [1760051](#) [1760336](#) [1765111](#) [1776388](#) [1777701](#) [1783410](#) [1800227](#) [1801080](#) [1809474](#)