

NOTES1:

- UL Standard
- 1. Rated voltage/current : 300V / 12A
- 2. Withstanding voltage : AC1600V/1Min.
- 3. Wire range : 28~14AWG

IEC Standard

| | | | |
|--------------------------|------|-------|------|
| 1. Pollution degree | 2 | 2 | 3 |
| Overvoltage category | II | III | III |
| Rate impulse voltage(KV) | 4KV | 4KV | 4KV |
| Rate voltage(V) | 500V | 320V | 250V |
| Rate current(A) | | 17.5A | |

2. Wire range : 0.2~1.5mm²

NOTES2:

- 1. Dimension shall be interpreted per ASME Y14.5-2009
- 2. Pitch : 5.00mm, Poles : N=02~24P
- 3. Stripping length : 8~9mm
- 4. Operating temperature: -40°C~+130°C
- 5. Undimensioned tolerances:

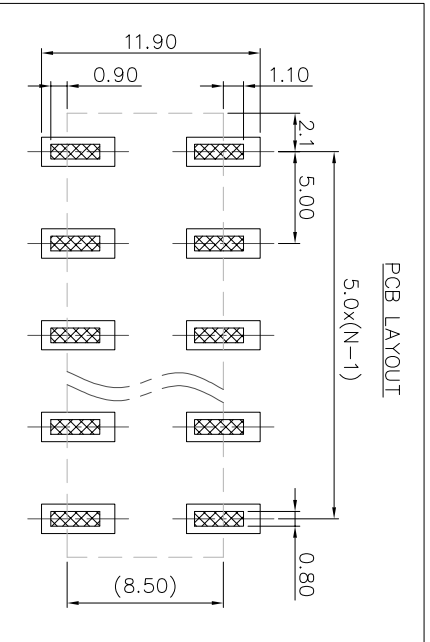
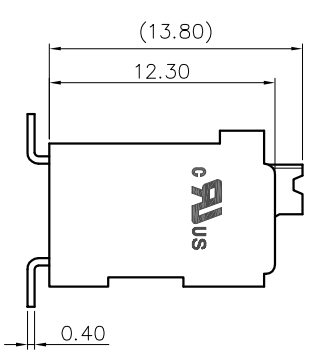
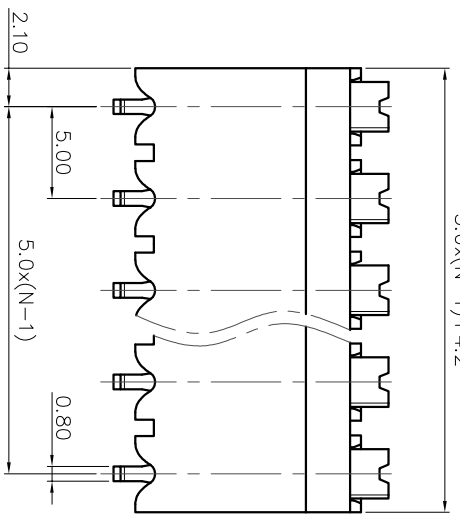
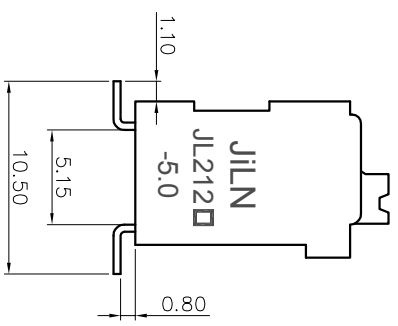
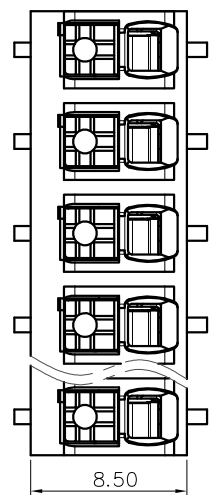
| Pitch range in mm | | Nominal dimension range in mm | | Tolerance | |
|-------------------|-------|-------------------------------|-------|-----------|-------|
| Over | Under | Over | Under | Over | Under |
| 6 | 10 | 30 | 60 | 100 | 150 |
| TO | 10 | TO | 100 | TO | 150 |
| 10 | 24 | 30 | 60 | 100 | 150 |
| ±0.15 | | ±0.30 | | ±0.50 | |
| | | | | ±1.00 | |
| | | | | ±1.30 | |
| | | | | ±2: | |

6. RoHS Compliance

Ordering Information

JL212V-SMT- 500 XX B P 1

- Pitch 500=5.0PH
- No. of pins 2P~24P
- Housing Color: B=Black, G=Green, U=Blue, R=Red, W=White, Y=Yellow, D=Drange, E=Grey
- Packing: 0=Re boog, T=Tube, A=Tray, P=Tube+Cap, R=Reel+Cap, M=Reel+Mylar



| REVISION RECORD | | | | |
|-----------------|-----|-------------|------|---------|
| REV | ECN | DESCRIPTION | DRFT | DATE |
| A | | NEW | | 22.5.30 |

| | | | | |
|---------|------------------|-------|-----|--|
| DRAW | SHUANGPING ZHENG | SCALE | FIT | <p>JIN 东莞市锦凌电子有限公司 DONGGUAN JINLING ELECTRONIC CO., LTD</p> |
| CHECK | LICHAD LIU | UNIT | mm | |
| APPROVE | YONGLIANG GAO | SIZE | A4 | |
| | | SHEET | 1/1 | PART NO. |
| | | PRD | | JL212V-SMT-500XXBP1 |
| | | | | TITLE: |
| | | | | JL212V-SMT-THR-5.0-XXP 弹簧式立脚黑色/管装 |

X-ON Electronics

Largest Supplier of Electrical and Electronic Components

Click to view similar products for [Fixed Terminal Blocks](#) category:

Click to view products by [JILN](#) manufacturer:

Other Similar products are found below :

[MBE-1512](#) [MBE-1520](#) [MBE-154](#) [MBE-156](#) [MBES-156](#) [MH-2512](#) [MHE-132](#) [MHE-163](#) [MI-254 \(35\)](#) [MPT-275](#) [ELM10110G](#) [BA311TU](#)
[BA411SU](#) [MV-254-D](#) [MV-255](#) [MV-493](#) [MVE-252](#) [MVE-253](#) [MVEB-153](#) [1705142](#) [1-796689-8](#) [1841320000](#) [S451](#) [29.007](#) [29.116](#) [30.204](#)
[30.503](#) [30.756](#) [30.853](#) [9872-0-00-15-00-00-33-0](#) [996750](#) [1710052](#) [20020316-G071B01LF](#) [20020327-C061B01LF](#) [29590](#) [30.652](#) [30.710](#)
[30.754](#) [30.757](#) [32.058](#) [37.206](#) [37.208](#) [37.507](#) [37.558](#) [38331-5812](#) [38331-8018](#) [38540-1910](#) [39.002](#) [MBE-1517](#) [MBE-153](#)