

| REVISION RECORD | | | | |
|-----------------|-----|-------------|------|----------|
| REV | ECN | DESCRIPTION | DRFT | DATE |
| A0 | | NEW | | 21.06.30 |

NOTES1:

UL Standard

- 1.Rated voltage/current : 300V / 10A
- 2.Withstanding voltage : AC1600V/1Min.
- 3.Wire range : 24~16AWG

IEC Standard

| | | | |
|--------------------------|-------|-------|-------|
| 1. Pollution degree | 2 | 2 | 3 |
| Overvoltage category | II | III | III |
| Rate impulse voltage(KV) | 2.5KV | 2.5KV | 2.5KV |
| Rate voltage(V) | 400V | 200V | 160V |
| Rate current(A) | 17.5A | | |

2.Wire range : 0.2~1.5mm²

NOTES2:

- 1.Dimension shall be interpreted per ASME Y14.5-2009
- 2.Pitch : 3.50mm, Poles : N=01~24P
- 3.Stripping length : 10mm
- 4.Operating temperature:-40°C~+105°C
- 5.Undimensioned tolerances:

| Pitch range in mm | | | Nominal dimension range in mm | | | | | - | ∩ | □ |
|-------------------|---------|---------|-------------------------------|---------|---------|---------|---------|--------|---|---|
| To | Over To | Over To | To | Over To | Over To | Over To | Over To | 0.1/10 | | |
| 6 | 10 | 24 | 30 | 30 | 60 | 100 | 150 | < | | |
| ±0.15 | ±0.20 | ±0.30 | ±0.30 | ±0.50 | ±0.70 | ±1.00 | ±1.30 | ±2' | | |

6.RoHS Compliance

Ordering Information

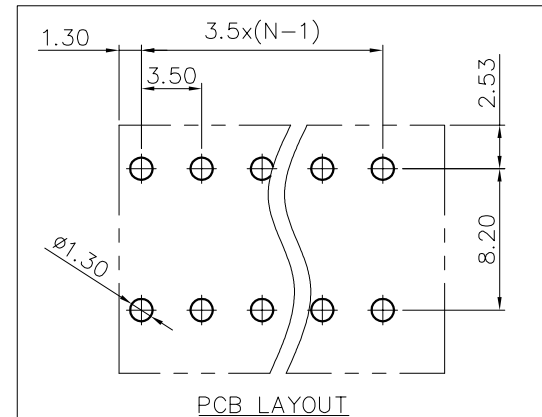
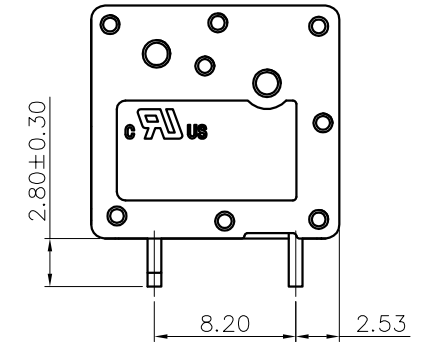
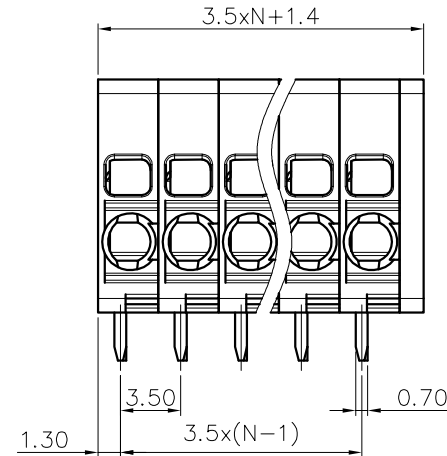
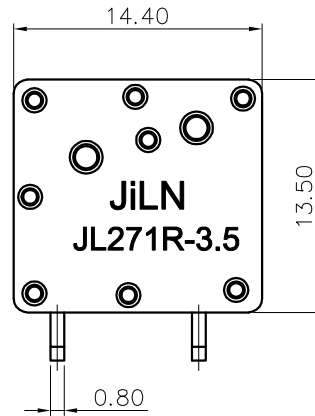
JL271R - 350 XX G 0 1

Pitch
350=3.5PH

No.of pins
1P~24P

Housing Color
B=Black
G=Green
U=Blue
R=Red
W=White
Y=Yellow
O=Orange
E=Grey

Packing



| | | | | | |
|---------|------------------|-------|-----|--|----------------------------|
| DRAW | SHUANGPING ZHENG | SCALE | FIT | 东莞市锦凌电子有限公司 DONGGUAN JINLING ELECTRONIC CO.,LTD | |
| | | UNIT | mm | | |
| CHECK | LICHAD LIU | SIZE | A4 | | |
| | | SHEET | 1/1 | | |
| APPROVE | YONGLIANG GAO | PROJ. | | PART NO. | JL271R-350XXG01 |
| | | | | TITLE: | JL271R-3.5-XXP弹簧式/弯脚/双排/绿色 |

X-ON Electronics

Largest Supplier of Electrical and Electronic Components

Click to view similar products for [Fixed Terminal Blocks](#) category:

Click to view products by [JILN](#) manufacturer:

Other Similar products are found below :

[MBE-1512](#) [MBE-1520](#) [MBE-154](#) [MBE-156](#) [MBES-156](#) [MH-2512](#) [MHE-132](#) [MHE-163](#) [MI-254 \(35\)](#) [MPT-275](#) [ELM10110G](#) [BA311TU](#)
[BA411SU](#) [MV-254-D](#) [MV-255](#) [MV-493](#) [MVE-252](#) [MVE-253](#) [MVEB-153](#) [1705142](#) [1-796689-8](#) [1841320000](#) [S451](#) [29.007](#) [29.116](#) [30.204](#)
[30.503](#) [30.756](#) [30.853](#) [9872-0-00-15-00-00-33-0](#) [996750](#) [1710052](#) [20020316-G071B01LF](#) [20020327-C061B01LF](#) [29590](#) [30.652](#) [30.710](#)
[30.754](#) [30.757](#) [32.058](#) [37.206](#) [37.208](#) [37.507](#) [37.558](#) [38331-5812](#) [38331-8018](#) [38540-1910](#) [39.002](#) [MBE-1517](#) [MBE-153](#)