

NOTES1:

- UL Standard
- 1. Rated voltage/current : 600V / 40A
- 2. Withstanding voltage : AC2200V/1min.
- 3. Wire range : 24~8AWG

IEC Standard

| | | | |
|--------------------------|-------|-------|------|
| 1. Pollution degree | 2 | 2 | 3 |
| Overvoltage category | II | III | III |
| Rate impulse voltage(KV) | 8KV | 8KV | 8KV |
| Rate voltage(V) | 1000V | 1000V | 630V |
| Rate current(A) | 41A | | |

2. Wire range : 0.2~6mm²

NOTES2:

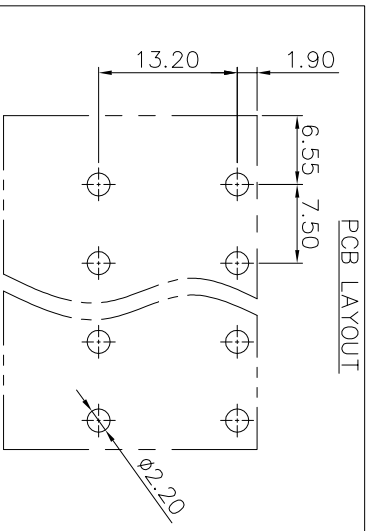
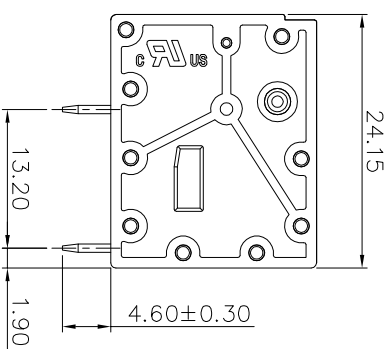
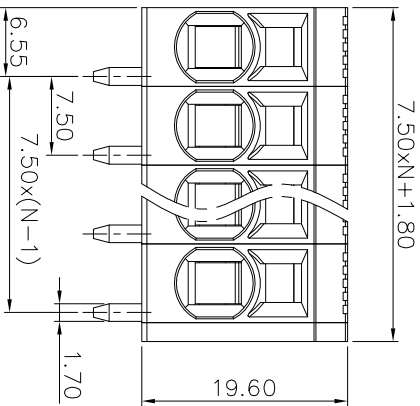
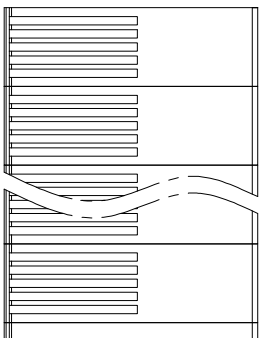
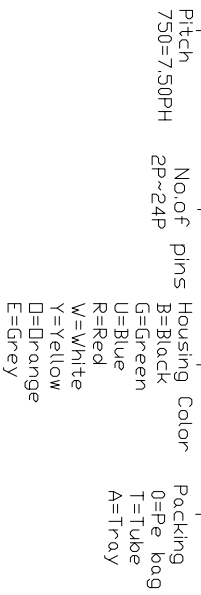
- 1. Dimension shall be interpreted per ASME Y14.5-2009
- 2. Pitch : 7.50mm, Poles : N=02~24P
- 3. Stripping length : 14~15mm
- 4. Operating temperature : -40°C~+105°C
- 5. Undimensioned tolerances:

| Pitch range in mm | Nominal dimension range in mm | | Tolerance |
|-------------------|-------------------------------|------------|-----------|
| | Over | Under | |
| 6 TO 10 | 6 TO 10 | 30 TO 60 | 0.1/10 |
| 10 TO 24 | 10 TO 24 | 30 TO 100 | 0.150 |
| | | 60 TO 150 | 0.150 |
| | | 100 TO 150 | 0.150 |
| | | 150 TO 150 | ±2' |

6. RoHS Compliance

Ordering Information

JL271R - 750 XX G 0 1



| | | | | | |
|---------|------------------|-------|-----|----------|---------------------------|
| DRAW | SHUANGPING ZHENG | SCALE | FIT | PART NO. | JL271R-750XXG01 |
| CHECK | LICHAD LIU | UNIT | mm | | |
| APPROVE | YONGLIANG GAO | SIZE | A4 | TITLE: | JL271R-7.5-XXP弹簧式/弯脚双排/绿色 |
| | | SHEET | 1/1 | | |
| | | PRD | | | |

JILIN 东莞市锦凌电子有限公司
DONGGUAN JINLING ELECTRONIC CO., LTD

| REVISION RECORD | | | | |
|-----------------|-----|-------------|------|----------|
| REV | ECN | DESCRIPTION | DRFT | DATE |
| A0 | | NEW | | 21.06.30 |

X-ON Electronics

Largest Supplier of Electrical and Electronic Components

Click to view similar products for [Fixed Terminal Blocks](#) category:

Click to view products by [JILN](#) manufacturer:

Other Similar products are found below :

[MBE-1512](#) [MBE-1520](#) [MBE-154](#) [MBE-156](#) [MBES-156](#) [MH-2512](#) [MHE-132](#) [MHE-163](#) [MI-254 \(35\)](#) [MI-272](#) [MPT-275](#) [ELM10110G](#)
[BA311TU](#) [BA411SU](#) [MV-253/NCNOC](#) [MV-254-D](#) [MV-255](#) [MV-493](#) [MVE-252](#) [MVE-253](#) [MVE-273](#) [MVEB-153](#) [1700096](#) [1705142](#)
[1712417](#) [1713088](#) [1745195](#) [1760594](#) [1-796689-8](#) [1-796692-6](#) [1800114](#) [20020314-C121B01LF](#) [20020316-G041B01LF](#) [KP03215000J0G](#)
[KP04215000J0G](#) [S451](#) [29.007](#) [29.116](#) [30.103](#) [30.106](#) [30.503](#) [30.608](#) [30.755](#) [30.756](#) [30.853](#) [9872-0-00-15-00-00-33-0](#) [996750](#) [1706303](#)
[1710052](#) [1712418](#)