

NOTES1:

- UL Standard
- 1. Rated voltage/current : 300V / 70A
- 2. Withstanding voltage : AC1600V/1Min.
- 3. Wire range : 20~4AWG

IEC Standard

1. Pollution degree	2	2	3
Overvoltage category	II	III	III
Rate impulse voltage(KV)	8KV	8KV	8KV
Rate voltage(V)	1000V	1000V	1000V
Rate current(A)	76A		

2. Wire range : 0.2~16.0mm<sup>2</sup>

NOTES2:

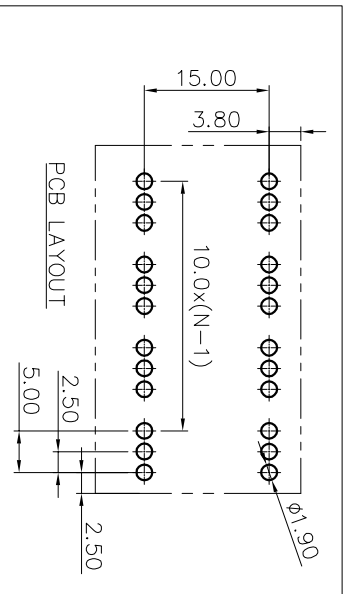
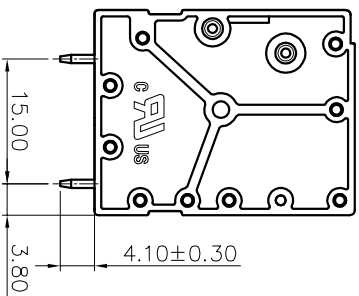
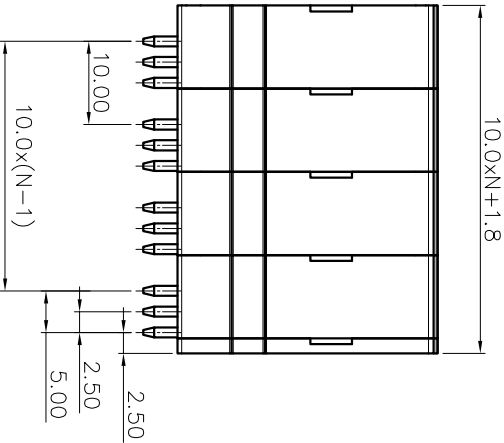
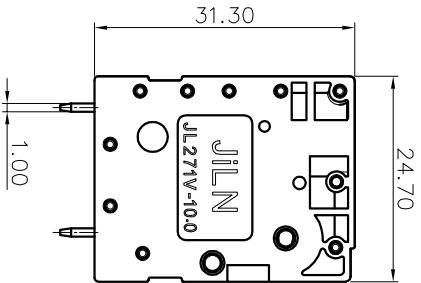
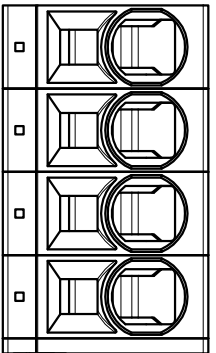
- 1. Dimension shall be interpreted per ASME Y14.5-2009
- 2. Stripping length : 17~18mm
- 3. Operating temperature: -40°C~+105°C
- 4. Undimensioned tolerances:
- 5. RoHS Compliance

Pitch range in mm		Nominal dimension range in mm		Over		Over		Over	
TO	TO	TO	TO	TO	TO	TO	TO	TO	TO
6	10	30	60	100	150	0.1/10			
10	24	30	60	100	150				
15	20	30	60	100	150				
		±0.30	±0.50	±0.70	±1.00	±1.30			±2°

# Ordering Information

JL271V - 100 XX G 0 1

Pitch 100=10.0PH  
 No. of pins 1P~24P  
 Housing Color B=Black G=Green U=Blue R=Red W=White Y=Yellow D=Orange E=Grey  
 Packing 0=Pe 1=Bo 2=Tu 3=Tr 4=Tray



REVISION RECORD				
REV	ECN	DESCRIPTION	DRFT	DATE
A0		NEW		21.08.21

DRAW	SHUANGPING ZHENG		SCALE	FIT	PART NO.	JL271V-100XXG01
	CHECK	LICHAD LIU	UNIT	mm		
APPROVE	YONGLIANG GAO	SIZE	A4	SHEET	1/1	TITLE:
		PRDJ				JL271V-10.0-XXP 弹簧式/直脚/双排绿色

**JIN** 东莞市锦凌电子有限公司  
 DONGGUAN JINLING ELECTRONIC CO., LTD

## X-ON Electronics

Largest Supplier of Electrical and Electronic Components

*Click to view similar products for [Fixed Terminal Blocks](#) category:*

*Click to view products by [JILN](#) manufacturer:*

Other Similar products are found below :

[MBE-1512](#) [MBE-1520](#) [MBE-154](#) [MBE-156](#) [MBES-156](#) [MH-2512](#) [MHE-132](#) [MHE-163](#) [MI-254 \(35\)](#) [MI-272](#) [MPT-275](#) [ELM10110G](#)  
[BA311TU](#) [BA411SU](#) [MV-253/NCNOC](#) [MV-254-D](#) [MV-255](#) [MV-493](#) [MVE-252](#) [MVE-253](#) [MVE-273](#) [MVEB-153](#) [1700096](#) [1705142](#)  
[1712417](#) [1713088](#) [1745195](#) [1760594](#) [1-796689-8](#) [1-796692-6](#) [1800114](#) [20020314-C121B01LF](#) [20020316-G041B01LF](#) [KP03215000J0G](#)  
[KP04215000J0G](#) [S451](#) [29.007](#) [29.116](#) [30.103](#) [30.106](#) [30.503](#) [30.608](#) [30.755](#) [30.756](#) [30.853](#) [9872-0-00-15-00-00-33-0](#) [996750](#) [1706303](#)  
[1710052](#) [1712418](#)