

REVISION RECORD				
REV	ECN	DESCRIPTION	DRFT	DATE
A1		依实物变更字码位置		21.08.18

NOTES1:
 UL Standard
 1.Rated voltage/current : 300V / 15A
 2.Withstanding voltage : AC1600V/1Min.

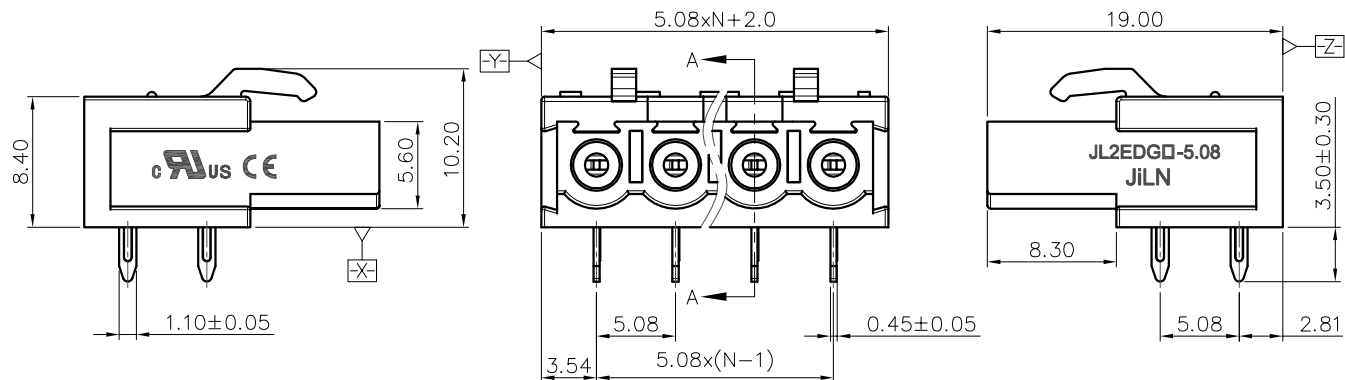
IEC Standard

1. Pollution degree	2	2	3
Overvoltage category	II	III	III
Rate impulse voltage(KV)	4KV	4KV	4KV
Rate voltage(V)	630V	320V	320V
Rate current(A)	20A		

NOTES2:
 1.Dimension shall be interpreted per ASME Y14.5-2009
 2.Pitch : 5.08mm, Poles : N=02~24P
 3.Operating temperature: -40°C~+105°C
 4.Undimensioned tolerances:

Pitch range in mm			Nominal dimension range in mm						-	∩	□
TO	Over	TO	TO	Over	Over	Over	Over	0.1/10			
6	6 TO 10	10 TO 24	30	30 TO 60	60 TO 100	100 TO 150	150				
±0.15	±0.20	±0.30	±0.30	±0.50	±0.70	±1.00	±1.30	±2'			

5.RoHS Compliance



Ordering Information

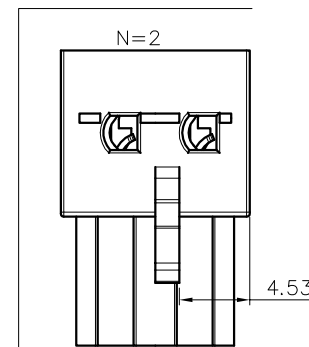
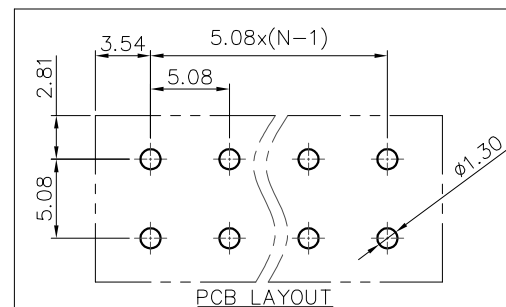
JL2EDGA - 508 XX G 0 1

Pitch
508=5.08PH

No.of pins
2P,3P,4P~12P

Housing Color
 B=Black
 G=Green
 U=Blue
 R=Red
 W=White
 Y=Yellow
 □=Orange
 E=Grey

Packing
 0=Pe bag
 T=Tube
 A=Tray



2	Clamp	Copper alloy	Sn Plated
1	Housing	PA66	UL94V-0
ITEM	NAME OF PART	MATERIAL	NOTES

DRAW	SHUANGPING ZHENG	SCALE	FIT
CHECK	LICHAD LIU	UNIT	mm
APPROVE	YONGLIANG GAO	SIZE	A4
		SHEET	1/1
		PROJ.	

JILN 东莞市锦凌电子有限公司
 DONGGUAN JINLING ELECTRONIC CO.,LTD

PART NO. JL2EDGA-508XXG01

TITLE: JL2EDGA-5.08-XXP插拔式母座/弯脚/绿色

X-ON Electronics

Largest Supplier of Electrical and Electronic Components

Click to view similar products for [Pluggable Terminal Blocks](#) category:

Click to view products by [JILN](#) manufacturer:

Other Similar products are found below :

[57.510.0053](#) [721-104/026-047](#) [721-204/026-045](#) [MC 1.5/ 6-ST-3.5 GY AU](#) [ET02015000J0G](#) [860505](#) [860516](#) [860810](#) [GBPACX-12](#)
[93.731.4953.0](#) [PVP03-3,50](#) [PVS02-5,00](#) [1-1986160-3](#) [1377680000](#) [1531000000](#) [1546228-5](#) [ELFP03110](#) [ELFP10210](#) [ELFT07250](#)
[ELVD12100](#) [ELVF09400](#) [ELXH071G0E](#) [1725220000](#) [1760336](#) [1855000000](#) [19346](#) [1946309](#) [1973592](#) [19892](#) [25.320.4053.1](#) [25.320.4553.9](#)
[25.320.4753.1](#) [25.320.5453.1](#) [25.340.0353.1](#) [25.340.1053.1](#) [25.345.3553.0M001](#) [25.640.3553.1](#) [SH02-5,08](#) [SH06-3,81](#) [SH08-5,08](#) [SH08-](#)
[5,08-K](#) [SH12-5,08](#) [SHS04-5,00](#) [30.303](#) [30.305](#) [30.306](#) [PHP09-5,08](#) [25.193.0453.0](#) [25.320.4653.1](#) [25.332.2453.1](#)