

NOTES1:

- UL Standard
- 1. Rated voltage/current : 300V / 15A
- 2. Withstanding voltage : AC1600V/1Min.

IEC Standard

| | | | |
|--------------------------|------|------|------|
| 1. Pollution degree | 2 | 2 | 3 |
| Overvoltage category | II | III | III |
| Rate impulse voltage(KV) | 4KV | 4KV | 4KV |
| Rate voltage(V) | 630V | 320V | 320V |
| Rate current(A) | 20A | | |

NOTES2:

- 1. Dimension shall be interpreted per ASME Y14.5-2009
- 2. Pitch : 5.08mm, Poles : N=02~24P
- 3. Operating temperature: -40°C~+105°C
- 4. Undimensioned tolerances:

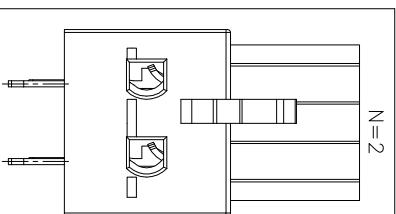
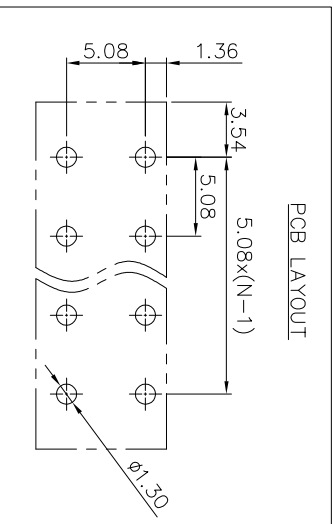
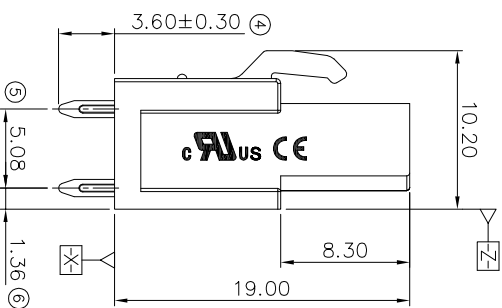
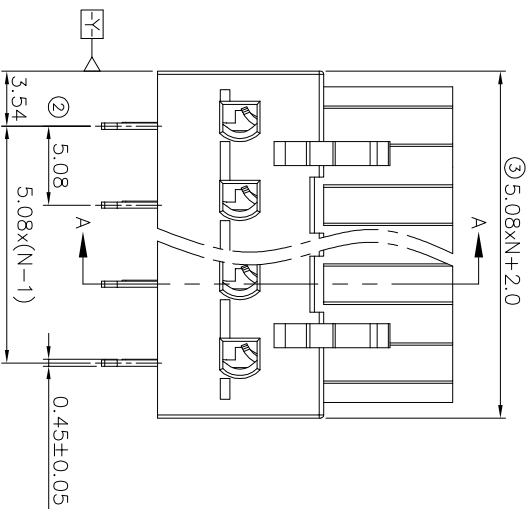
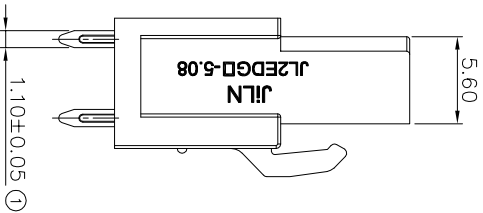
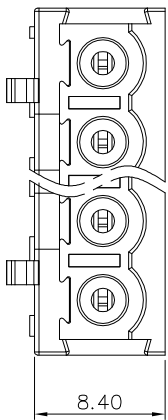
| Pitch range in mm | Nominal dimension range in mm | | | | | | - | 0 | 10 |
|-------------------|-------------------------------|------------|------------|------------|------|----|-----|-----|--------|
| | Over | TO | Over | TO | Over | TO | | | |
| 6 | 10 | TO | 30 | TO | 60 | TO | 100 | 150 | 0.1/10 |
| 10 | 24 | TO | 60 | TO | 100 | TO | 150 | | < |
| ±0.15±0.20 | ±0.30±0.30 | ±0.30±0.50 | ±0.70±1.00 | ±1.00±1.30 | ±2: | | | | |

5. RoHS Compliance

Ordering Information

JL2EDGB - 508 XX G 0 1

Pitch 508=5.08PH
 No. of pins 2P,3P,4P~12P
 Housing Color B=Black, G=Green, U=Blue, R=Red, V=White, Y=Yellow, D=Orange, E=Grey
 Packing 0=Fe bag, T=Tube, A=Tray



| REVISION RECORD | | | | |
|-----------------|-----|-------------|------|----------|
| REV | ECN | DESCRIPTION | DRFT | DATE |
| A0 | | NEW | | 21.06.10 |

| | |
|---------|------------------|
| DRAW | SHUANGPING ZHENG |
| CHECK | LICHAD LIU |
| APPROVE | YONGLIANG GAO |

| | |
|-------|-----|
| SCALE | FIT |
| UNIT | mm |
| SIZE | A4 |
| SHEET | 1/1 |
| PRD J | |

jiln 东莞市锦凌电子有限公司
 DONGGUAN JINLING ELECTRONIC CO., LTD

PART NO. JL2EDGB-508XXG01

TITLE: JL2EDGB-5.08-XXP插拔式母座/直脚绿色

X-ON Electronics

Largest Supplier of Electrical and Electronic Components

Click to view similar products for [Pluggable Terminal Blocks](#) category:

Click to view products by [JILN](#) manufacturer:

Other Similar products are found below :

[57.510.0053](#) [MC 1.5/ 6-ST-3.5 GY AU](#) [ET02015000J0G](#) [860505](#) [860516](#) [860810](#) [GBPACX-12](#) [93.731.4953.0](#) [PV05-5,08-K](#) [PVP03-3,50](#)
[PVS02-5,00](#) [1-1986160-3](#) [1377680000](#) [1531000000](#) [1546228-5](#) [ELFP03110](#) [ELFP10210](#) [ELFT07250](#) [ELVD12100](#) [ELVF09400](#)
[ELVP03100](#) [ELXH071G0E](#) [1700410](#) [1746952](#) [1760336](#) [1800272](#) [1809474](#) [1855000000](#) [19346](#) [1946309](#) [1950227](#) [1973592](#) [19892](#)
[25.320.4053.1](#) [25.320.4553.9](#) [25.320.4753.1](#) [25.320.5453.1](#) [25.340.0353.1](#) [25.340.1053.1](#) [25.345.3553.0M001](#) [25.640.3553.1](#) [SH02-5,08](#)
[SH06-3,81](#) [SH08-5,08](#) [SH08-5,08-K](#) [SH12-5,08](#) [SHS04-5,00](#) [30.303](#) [30.305](#) [30.306](#)