

REVISION RECORD				
REV	ECN	DESCRIPTION	DRFT	DATE
A0		NEW		21.06.10

NOTES1:

UL Standard

1. Rated voltage/current : 300V / 15A
2. Withstanding voltage : AC1600V/1Min.

IEC Standard

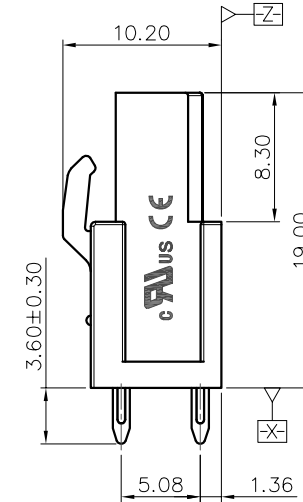
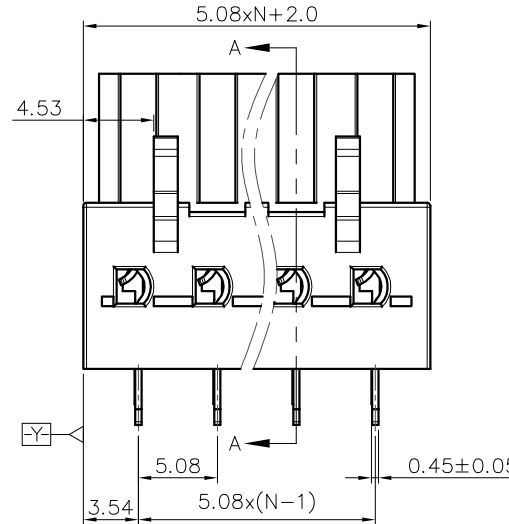
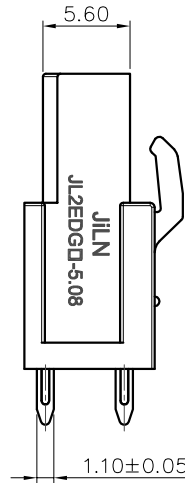
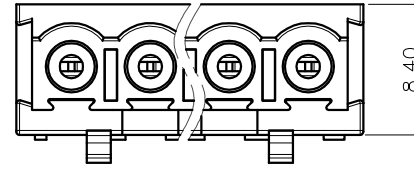
1. Pollution degree	2	2	3
Overvoltage category	II	III	III
Rate impulse voltage(KV)	4KV	4KV	4KV
Rate voltage(V)	630V	320V	320V
Rate current(A)	20A		

NOTES2:

1. Dimension shall be interpreted per ASME Y14.5-2009
2. Pitch : 5.08mm, Poles : N=02~24P
3. Operating temperature: -40°C~+105°C
4. Undimensioned tolerances:

Pitch range in mm		Nominal dimension range in mm						0.1/10				
TO	Over	TO	Over	TO	Over	TO	Over					
6	6	10	10	30	30	60	60	100	100	150	150	±2'
±0.15	±0.20	±0.30	±0.30	±0.50	±0.70	±1.00	±1.30					

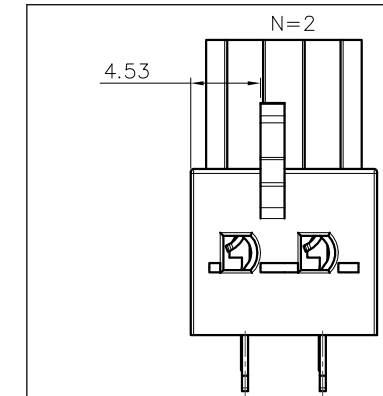
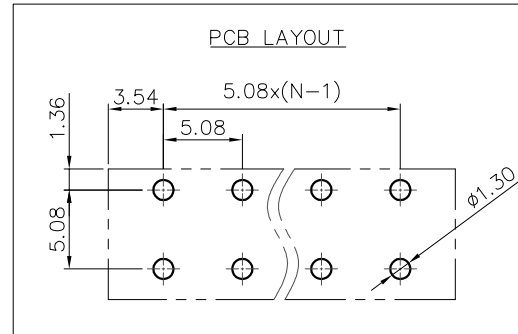
5. RoHS Compliance



## Ordering Information

**JL2EDGB - 508 XX G 0 1**

- Pitch: 508=5.08PH
- No. of pins: 2P, 3P, 4P~12P
- Housing Color: B=Black, G=Green, U=Blue, R=Red, W=White, Y=Yellow, □=Orange, E=Grey
- Packing: 0=Pe bag, T=Tube, A=Tray



ITEM	2	Clamp	Copper alloy	Sn Plated	DRAW	SHUANGPING ZHENG	SCALE	FIT	<b>JILN</b> 东莞市锦凌电子有限公司 DONGGUAN JINLING ELECTRONIC CO.,LTD PART NO. JL2EDGB-508XXG01 TITLE: JL2EDGB-5.08-XXP插拔式母座/直脚/绿色
	1	Housing	PA66	UL94V-0	CHECK	LICHAO LIU	UNIT	mm	
					APPROVE	YONGLIANG GAO	SIZE	A4	
							SHEET	1/1	
							PROJ.		

## X-ON Electronics

Largest Supplier of Electrical and Electronic Components

*Click to view similar products for [Pluggable Terminal Blocks](#) category:*

*Click to view products by [JILN](#) manufacturer:*

Other Similar products are found below :

[57.510.0053](#) [721-104/026-047](#) [721-204/026-045](#) [MC 1.5/ 6-ST-3.5 GY AU](#) [ET02015000J0G](#) [860505](#) [860516](#) [860810](#) [GBPACX-12](#)  
[93.731.4953.0](#) [PVP03-3,50](#) [PVS02-5,00](#) [1-1986160-3](#) [1377680000](#) [1531000000](#) [1546228-5](#) [ELFP03110](#) [ELFP10210](#) [ELFT07250](#)  
[ELVD12100](#) [ELVF09400](#) [ELXH071G0E](#) [1725220000](#) [1760336](#) [1855000000](#) [19346](#) [1946309](#) [1973592](#) [19892](#) [25.320.4053.1](#) [25.320.4553.9](#)  
[25.320.4753.1](#) [25.320.5453.1](#) [25.340.0353.1](#) [25.340.1053.1](#) [25.345.3553.0M001](#) [25.640.3553.1](#) [SH02-5,08](#) [SH06-3,81](#) [SH08-5,08](#) [SH08-](#)  
[5,08-K](#) [SH12-5,08](#) [SHS04-5,00](#) [30.303](#) [30.305](#) [30.306](#) [PHP09-5,08](#) [25.193.0453.0](#) [25.320.4653.1](#) [25.332.2453.1](#)