

SPECIFICATIONS

Rated(额定参数): 300V,1.5A
 Dielectric strength(抗电强度): AC2500V/1 Minute
 Insulation Resistance(绝缘电阻):1000MΩ Min
 Contact Resistance(接触电阻):20mΩ Max
 Screw Torque(扭矩): 0.5Nm (4.5Lb.in)
 Wire Range(线径):1.2~28AWG
 Temp. range(操作温度): -40°C~+105°C
 MAX Soldering(瞬时温度):+250°C,5s

Housing Material(塑件): PA66 (UL94 V-0)
 Contact(端子): Phosphor Bronze, Tin plating(磷铜镀锡)
 Clamp(方块): Brass/Steel(铜/铁), Ni plating(镍)
 Screw (螺丝): M2.5 Steel, Zinc plating(钢,镀锌)

| | PITCH RANGE | | NOMINAL DIMENSION RANGE | | | | |
|----|-------------|-------|-------------------------|-------|-------|-------|-------|
| | IN MM | IN MM | IN MM | OVER | OVER | OVER | OVER |
| TO | 6 | 10 | TO | 30 | 60 | 100 | OVER |
| 6 | TO | TO | TO | TO | TO | TO | 150 |
| | 10 | 24 | 30 | 60 | 100 | 150 | |
| | ±0.10 | ±0.15 | ±0.25 | ±0.30 | ±0.30 | ±0.50 | ±0.70 |
| | | | | | | | ±1.00 |

Ordering Information

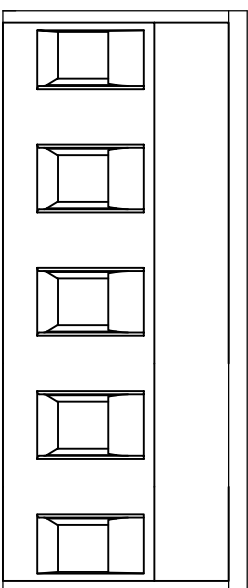
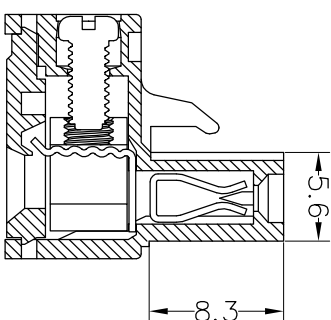
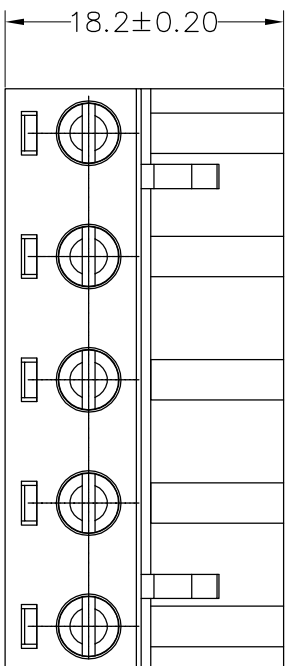
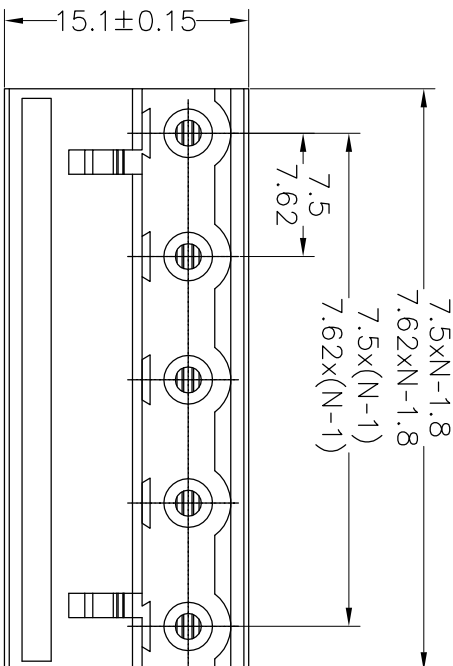
JL2EDGK-XXX XX G X 1

Pitch
 750=7.5PH
 762=7.62PH

No.of pins
 2P,3P,4P~12P

Housing Color
 B=Black
 G=Green
 U=Blue
 R=Red
 W=White
 Y=Yellow
 O=Orange
 E=Grey

Packing
 O=Pe bag
 T=Tube
 A=Troy



| | | | | | | | | | |
|-----|------------|--------------------------|--------|-----------|-------|---------|-----------|---------------------------|---|
| REV | DATE | MODIFICATION DESCRIPTION | CHANGE | DIM | TOL | APPROVE | PROJ. | TITLE: | |
| A0 | 2017.01.05 | NEW DRAWING | | Angle | ±3° | | | PART NO. JL2EDGK-XXXXXXG1 | 7.5/7.62mm Pitch Female Pluggable Terminal Blocks |
| | | | | OPERATION | ±0.30 | DRAW | yiyusheng | 17.01.05 | |
| | | | | XX | ±0.20 | CHECK | | | |
| | | | | X:XX | ±0.20 | | | | |
| | | | | X:XXX | ±0.10 | | | | |
| | | | | | | SCALE | FIT | | |
| | | | | | | UNIT | mm | | |
| | | | | | | SIZE | A4 | | |
| | | | | | | SHEET | 1/1 | | |

JILN 深圳市锦凌电子有限公司
 SHENZHEN JINLING ELECTRONIC CO.,LTD
 Tel: 86-755-2997-5806/5802 Fax: 86-755-2997-5992

X-ON Electronics

Largest Supplier of Electrical and Electronic Components

Click to view similar products for [Pluggable Terminal Blocks](#) category:

Click to view products by [JILN](#) manufacturer:

Other Similar products are found below :

[57.510.0053](#) [MC 1.5/ 6-ST-3.5 GY AU](#) [ET02015000J0G](#) [734-104](#) [734-302](#) [860505](#) [860516](#) [860810](#) [GBPACX-12](#) [93.731.4953.0](#) [PV05-5,08-K](#) [PVP03-3,50](#) [PVP04-3,50](#) [PVS02-5,00](#) [1-1986160-3](#) [1377680000](#) [1531000000](#) [1546228-5](#) [ELFP03110](#) [ELFT07250](#) [ELVD12100](#) [ELVF09400](#) [ELVP03100](#) [ELXH071G0E](#) [1700410](#) [1702246](#) [1705229](#) [1714537](#) [1717806](#) [1719600](#) [1728941](#) [1734692](#) [1734795](#) [1740291](#) [1740628](#) [1746952](#) [1750207](#) [1752865](#) [1754115](#) [1754144](#) [1756913](#) [1760051](#) [1760336](#) [1765111](#) [1776388](#) [1777701](#) [1783410](#) [1800227](#) [1801080](#) [1809474](#)