

**SPECIFICATIONS**

Rated(额定参数): 300V,1.5A  
 Dielectric strength(抗电强度): AC2500V/1 Minute  
 Insulation Resistance(绝缘电阻):1000MΩ Min  
 Contact Resistance(接触电阻):20mΩ Max  
 Screw Torque(扭矩): 0.5Nm (4.5Lb.in)  
 Wire Range(线径):1.2~28AWG  
 Temp. range(操作温度): -40°C~+105°C  
 MAX Soldering(瞬时温度):+250°C,5s

Housing Material(塑件): PA66 (UL94 V-0)  
 Contact(端子): Phosphor Bronze, Tin plating(磷铜镀锡)  
 Clamp(方块): Brass/Steel(铜/铁), Ni plating(镍)  
 Screw (螺丝): M2.5 Steel, Zinc plating(钢,镀锌)

	PITCH RANGE		NOMINAL DIMENSION RANGE						
	IN MM	IN MM	IN MM	OVER	OVER	OVER	OVER		
TO 6	6 TO 10	10 TO 24	±0.15	±0.25	±0.30	±0.30	±0.50	±0.70	±1.00
TO 10	10 TO 24	24 TO 30	±0.15	±0.25	±0.30	±0.30	±0.50	±0.70	±1.00
TO 15	15 TO 24	24 TO 30	±0.15	±0.25	±0.30	±0.30	±0.50	±0.70	±1.00
TO 20	20 TO 24	24 TO 30	±0.15	±0.25	±0.30	±0.30	±0.50	±0.70	±1.00
TO 25	25 TO 24	24 TO 30	±0.15	±0.25	±0.30	±0.30	±0.50	±0.70	±1.00
TO 30	30 TO 24	24 TO 30	±0.15	±0.25	±0.30	±0.30	±0.50	±0.70	±1.00

**Ordering Information**

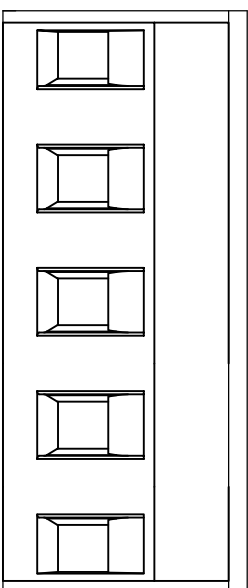
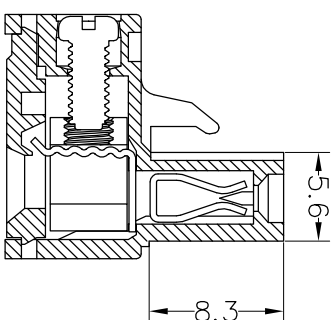
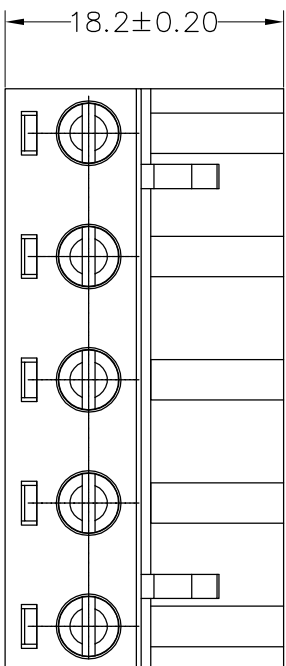
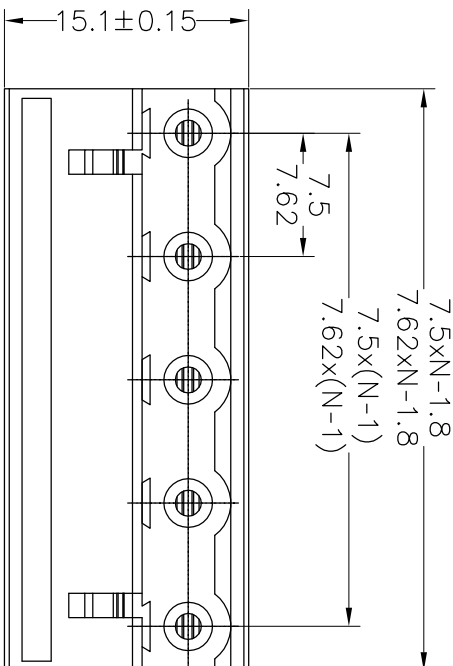
**JL2EDGK-XXX XX G X 1**

Pitch  
 750=7.5PH  
 762=7.62PH

No.of pins  
 2P,3P,4P~12P

Housing Color  
 B=Black  
 G=Green  
 U=Blue  
 R=Red  
 W=White  
 Y=Yellow  
 O=Orange  
 E=Grey

Packing  
 O=Pe bag  
 T=Tube  
 A=Troy



OPERATION	DRAW	SCALE	FIT
XX	yiyusheng	UNIT	mm
X:XX	17.01.05	SIZE	A4
X:XXX	±0.20	SHEET	1/1
Angle	±0.10	PROJ.	1/1
DIM	±3'		

**JILIN** 深圳市锦凌电子有限公司  
 SHENZHEN JINLING ELECTRONIC CO.,LTD  
 Tel: 86-755-2997-5806/5802 Fax: 86-755-2997-5992

PART NO. JL2EDGK-XXXXXXG1

TITLE: 7.5/7.62mm Pitch Female Pluggable Terminal Blocks

REV	DATE	MODIFICATION DESCRIPTION	CHANGE	APPROVE	PROJ.	TITLE
A0	2017.01.05	NEW DRAWING				7.5/7.62mm Pitch Female Pluggable Terminal Blocks
1						

## X-ON Electronics

Largest Supplier of Electrical and Electronic Components

*Click to view similar products for [Pluggable Terminal Blocks](#) category:*

*Click to view products by [JILN](#) manufacturer:*

Other Similar products are found below :

[57.510.0053](#) [721-104/026-047](#) [721-204/026-045](#) [MC 1.5/ 6-ST-3.5 GY AU](#) [ET02015000J0G](#) [860505](#) [860516](#) [860810](#) [GBPACX-12](#)  
[93.731.4953.0](#) [PVP03-3,50](#) [PVS02-5,00](#) [1-1986160-3](#) [1377680000](#) [1531000000](#) [1546228-5](#) [ELFP03110](#) [ELFP10210](#) [ELFT07250](#)  
[ELVD12100](#) [ELVF09400](#) [ELXH071G0E](#) [1725220000](#) [1760336](#) [1855000000](#) [19346](#) [1946309](#) [1973592](#) [19892](#) [25.320.4053.1](#) [25.320.4553.9](#)  
[25.320.4753.1](#) [25.320.5453.1](#) [25.340.0353.1](#) [25.340.1053.1](#) [25.345.3553.0M001](#) [25.640.3553.1](#) [SH02-5,08](#) [SH06-3,81](#) [SH08-5,08](#) [SH08-](#)  
[5,08-K](#) [SH12-5,08](#) [SHS04-5,00](#) [30.303](#) [30.305](#) [30.306](#) [PHP09-5,08](#) [25.193.0453.0](#) [25.320.4653.1](#) [25.332.2453.1](#)