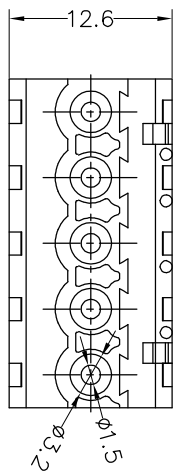


SPECIFICATIONS

Rated(额定参数): 300V,15A
 Dielectric strength(抗电强度): AC2500V/1 Minute
 Insulation Resistance(绝缘电阻):5000MΩ Min
 Contact Resistance(接触电阻):20mΩ Max
 Screw Torque(扭矩): 0.4Nm (3.5lb.in)
 Wire Range(线径):1.2~28AWG
 Strip length(剥线长度):7-8mm
 Temp. range(操作温度): -40℃~+105℃
 MAX Soldering(瞬时温度):+260℃,5s



Housing Material(塑件): PA66 (UL94 V-0)
 Contact(端子): Phosphor Bronze, Tin plating(磷铜镀锡)
 Clamp(方块): Brass/Steel(铜/铁), Ni plating(镀镍)
 Screw (螺丝): M2.5, Steel, Zinc plating(钢 镀锌)

PITCH RANGE IN MM	NOMINAL DIMENSION RANGE IN MM					
	OVER 6	OVER 10	TO 10	OVER 30	TO 30	OVER 100
TO 6	TO 10	TO 24	TO 60	TO 100	TO 150	OVER 150
±0.10	±0.15	±0.25	±0.30	±0.30	±0.50	±1.00

Ordering Information

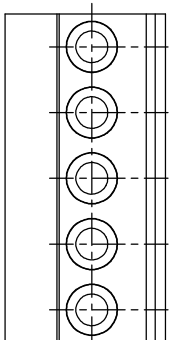
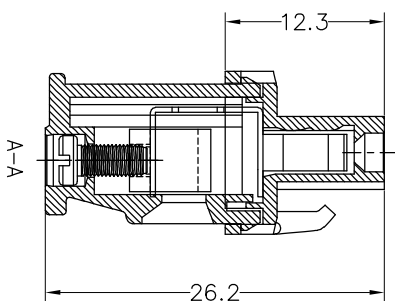
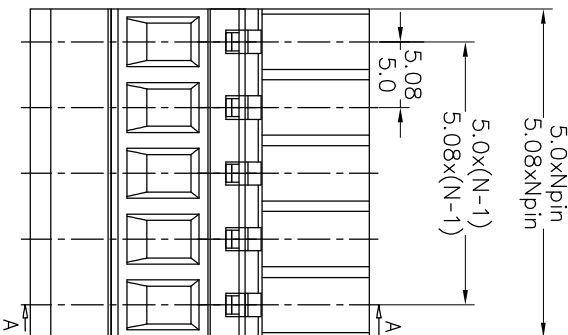
JL2EDGKA - XXX XX X X 1

Pitch
500=5.00PH
508=5.08PH

No.of pins
2P,3P,4P~24P

Housing Color
B=Black
G=Green
U=Blue
R=Red
W=White
Y=Yellow
O=Orange
E=Grey

Packing
0=Pe
T=Tube
A=Tray



REV		DATE	MODIFICATION DESCRIPTION	CHANGE	DIM	TOL	APPROVE	DRAW		BEN	15.08.22	SCALE	FIT	PART NO.		TITLE:	
A0		2015.08.22	NEW DRAWING		Angle	±3°		CHECK				UNIT	mm	JL2EDGKA-XXXXXXX1		5.00/5.08 Pluggbble Terminal Blocks	
1														SHENZHEN JINLING ELECTRONIC CO.,LTD			
2														SHENZHEN JINLING ELECTRONIC CO.,LTD			
3														SHENZHEN JINLING ELECTRONIC CO.,LTD			
4														SHENZHEN JINLING ELECTRONIC CO.,LTD			
5														SHENZHEN JINLING ELECTRONIC CO.,LTD			
6														SHENZHEN JINLING ELECTRONIC CO.,LTD			
7														SHENZHEN JINLING ELECTRONIC CO.,LTD			
8														SHENZHEN JINLING ELECTRONIC CO.,LTD			
9														SHENZHEN JINLING ELECTRONIC CO.,LTD			

JINLING 深圳市锦凌电子有限公司
 SHENZHEN JINLING ELECTRONIC CO.,LTD
 Tel: 86-755-2997-5806/5802 Fax: 86-755-2997-5992

X-ON Electronics

Largest Supplier of Electrical and Electronic Components

Click to view similar products for [Pluggable Terminal Blocks](#) category:

Click to view products by [JILN](#) manufacturer:

Other Similar products are found below :

[57.404.7553](#) [57.504.0053.7](#) [57.510.0053](#) [57.910.6153](#) [01.112.1453](#) [CTB932VE/6](#) [MC 1.5/ 6-ST-3.5 GY AU](#) [ET02015000J0G](#) [734-104](#) [734-302](#) [734-304](#) [8-141-P](#) [FKCT 2.5/ 3-ST KMGY](#) [860505](#) [860508](#) [860516](#) [860810](#) [861908](#) [GBPACX-12](#) [93.731.4953.0](#) [PV05-5,08-K](#) [PVP02-5,00](#) [PVP04-3,50](#) [PVS02-5,00](#) [1-1986160-3](#) [H-10](#) [1546228-5](#) [ELFH09150](#) [ELFH16150](#) [ELFP03110](#) [ELFT06250](#) [ELFT07250](#) [ELVF09400](#) [ELVP03100](#) [ELXH03100](#) [ELXH071G0E](#) [ELXP041G0](#) [ELXT046G0](#) [1700101](#) [1700410](#) [1700425](#) [1703176](#) [1703243](#) [1705229](#) [1710175](#) [1714537](#) [1717806](#) [1719600](#) [1728941](#) [1729386](#)