

SPECIFICATIONS

Rated(额定参数): 300V,15A
 Dielectric strength(抗电强度): AC2000V/1 Minute
 Insulation Resistance(绝缘电阻):1000MΩ Min
 Contact Resistance(接触电阻):20mΩ Max
 Screw Torque(扭矩): 0.4Nm (3.5Lb.in)
 Wire Range(线径):28~12AWG
 Strip length(剥线长度):7~8mm
 Temp. range(操作温度): -40℃~+105℃
 MAX Soldering(瞬时温度):+250℃,5s

Housing Material(塑件): PA66 (UL94 V-0)
 Contact(端子): Phosphor Bronze, Tin plating(磷铜镀锡)
 Screw (螺丝): M2.5 Steel, Zinc plating(钢,镀锌)

PITCH RANGE	NOMINAL DIMENSION RANGE					
	IN MM	IN MM	IN MM	IN MM	IN MM	IN MM
OVER	OVER	OVER	OVER	OVER	OVER	OVER
TO	TO	TO	TO	TO	TO	TO
6	10	24	30	60	100	150
±0.10	±0.15	±0.25	±0.30	±0.30	±0.50	±1.00

Ordering Information

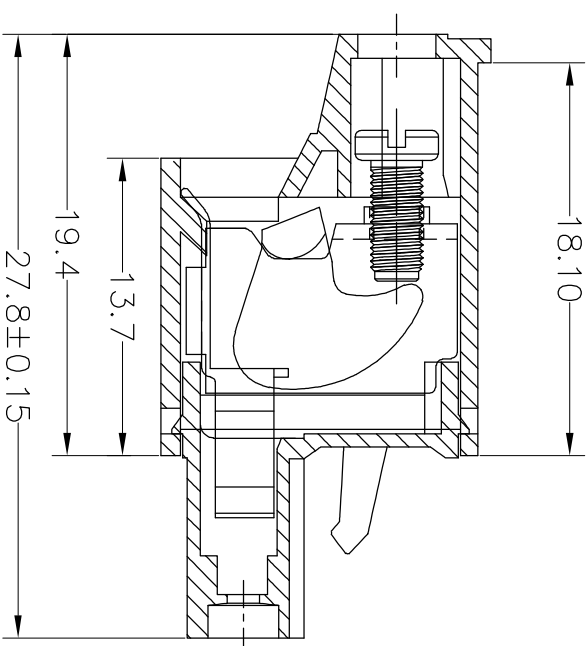
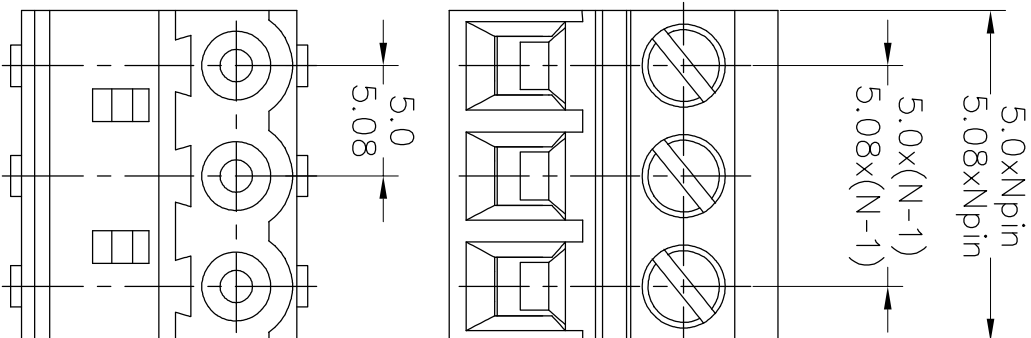
JL2EDGKC-XXX XX G X 1

Pitch
500=5.00PH
508=5.08BH

No.of pins
2P~24P

Housing Color
B=Black
G=Green
U=Blue
R=Red
W=White
Y=Yellow
O=Orange
E=Grey

Packing
0=Pe bog
A=Troy
T=Tube



REV	DATE	MODIFICATION DESCRIPTION	CHANGE	OPERATION	DRAW	BEN	17.01.05	SCALE	FIT	PROU.	PART NO.	TITLE:
A0	2017.01.05	NEW DRAWING		XX ±0.30	CHECK			UNIT mm	A4	1/1	JL2EDGKC-XXXXGX1	5.00/5.08 Pitch Female Pluggable Terminal Blocks
1				X:XX ±0.20				SIZE A4				
				X:XXX ±0.10				SHEET				
				Angle ±3'	APPROVE			PROU.				

JIN 深圳市锦凌电子有限公司
 SHENZHEN JINLING ELECTRONIC CO.,LTD
 Tel: 86-755-2997-5806/5802 Fax: 86-755-2997-5992

X-ON Electronics

Largest Supplier of Electrical and Electronic Components

Click to view similar products for [Pluggable Terminal Blocks](#) category:

Click to view products by [JILN](#) manufacturer:

Other Similar products are found below :

[57.510.0053](#) [MC 1.5/ 6-ST-3.5 GY AU](#) [ET02015000J0G](#) [734-104](#) [734-302](#) [860505](#) [860516](#) [860810](#) [GBPACX-12](#) [93.731.4953.0](#) [PV05-5,08-K](#) [PVP03-3,50](#) [PVP04-3,50](#) [PVS02-5,00](#) [1-1986160-3](#) [1377680000](#) [1531000000](#) [1546228-5](#) [ELFP03110](#) [ELFT07250](#) [ELVD12100](#) [ELVF09400](#) [ELVP03100](#) [ELXH071G0E](#) [1700410](#) [1702246](#) [1705229](#) [1714537](#) [1717806](#) [1719600](#) [1728941](#) [1734692](#) [1734795](#) [1740291](#) [1740628](#) [1746952](#) [1750207](#) [1752865](#) [1754115](#) [1754144](#) [1756913](#) [1760051](#) [1760336](#) [1765111](#) [1776388](#) [1777701](#) [1783410](#) [1800227](#) [1801080](#) [1809474](#)