

**HSF** RoHS **us** **CE**

| REVISION RECORD |     |             |       |         |
|-----------------|-----|-------------|-------|---------|
| REV             | ECN | DESCRIPTION | DRFT  | DATE    |
| B               |     | 更新深圳旧图纸     | Z.S.P | 22.7.12 |

NOTES1:

UL Standard

- 1.Rated voltage/current : 300V / 15A
- 2.Withstanding voltage : AC2000V/1Min.
- 3.Torque value : M2.5 , 3.5Lb.in
- 4.Wire range : 28~12AWG

IEC Standard

|                          |      |
|--------------------------|------|
| 1. Pollution degree      | 2    |
| Overvoltage category     | III  |
| Rate impulse voltage(KV) | 4KV  |
| Rate voltage(V)          | 320V |
| Rate current(A)          | 20A  |

- 2.Torque value : M2.5 , 0.5N·m
- 3.Wire range : 0.2~2.5mm<sup>2</sup>

NOTES2:

- 1.Dimension shall be interpreted per ASME Y14.5-2009
- 2.Pitch : 5.08mm, Poles : N=02~22P
- 3.Stripping length : 7~8mm
- 4.Operating temperature: -40°C~+105°C
- 5.Undimensioned tolerances:

| Pitch range in mm |       | Nominal dimension range in mm |       |       |       |       |       |        |  |
|-------------------|-------|-------------------------------|-------|-------|-------|-------|-------|--------|--|
| TO                | Over  | TO                            | Over  | TO    | Over  | TO    | Over  | 0.1/10 |  |
| 6                 | 10    | 10                            | 24    | 30    | 60    | 100   | 150   |        |  |
| ±0.15             | ±0.20 | ±0.30                         | ±0.30 | ±0.50 | ±0.70 | ±1.00 | ±1.30 | ±2'    |  |

6.RoHS Compliance

## Ordering Information

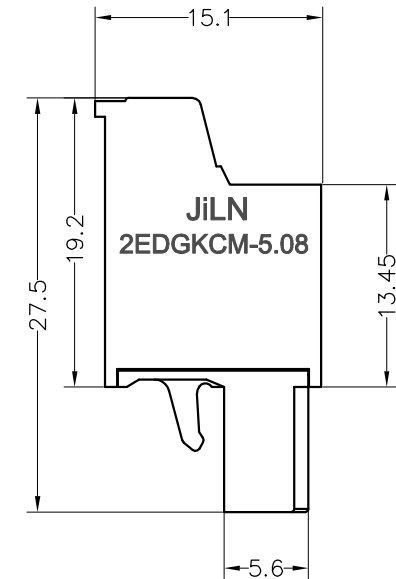
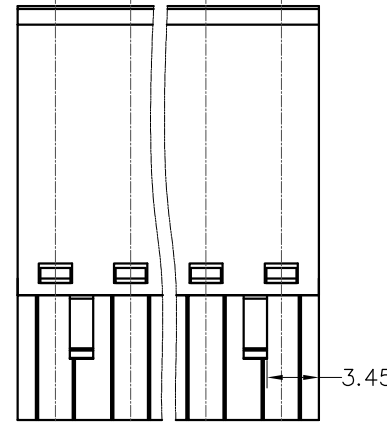
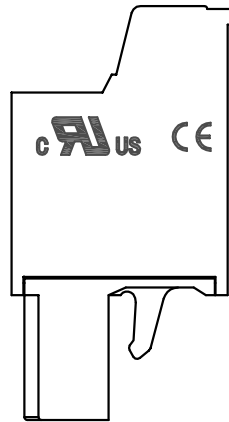
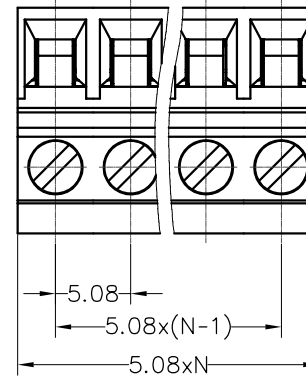
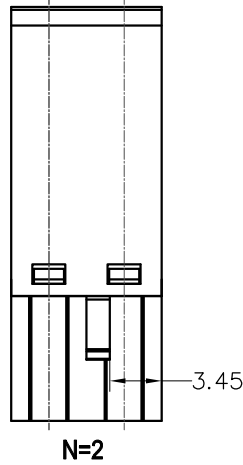
**JL 2EDGKC - 508 XX G 0 1**

Pitch  
508=5.08PH

No.of pins  
2P~24P

Housing Color  
B=Black  
G=Green  
U=Blue  
R=Red  
W=White  
Y=Yellow  
O=Orange  
E=Grey

Packing  
0=Pe bag  
A=Tray  
T=Tube



| ITEM | NAME OF PART | MATERIAL     | NOTES          |
|------|--------------|--------------|----------------|
| 5    | Screw        | Steel        | M2.5/Zn Plated |
| 4    | Cage         | Steel        | M2.5/Zn Plated |
| 3    | Block        | Steel        | Zn Plated      |
| 2    | Clamp        | Copper alloy | Sn Plated      |
| 1    | Housing      | PA66         | UL94V-0        |

|         |                  |       |     |
|---------|------------------|-------|-----|
| DRAW    | SHUANGPING ZHENG | SCALE | FIT |
|         |                  | UNIT  | mm  |
| CHECK   | LICHAO LIU       | SIZE  | A4  |
|         |                  | SHEET | 1/1 |
| APPROVE | YONGLIANG GAO    | PROJ. | ☉   |

|  |  |          |                           |
|--|--|----------|---------------------------|
| 东莞市锦凌电子有限公司<br>DONGGUAN JINLING ELECTRONIC CO.,LTD |  | PART NO. | JL2EDGKC-508XXG01         |
|  |  | TITLE:   | JL2EDGKC-5.08-XXP插拔式母座/绿色 |

## X-ON Electronics

Largest Supplier of Electrical and Electronic Components

*Click to view similar products for [Pluggable Terminal Blocks](#) category:*

*Click to view products by [JILN](#) manufacturer:*

Other Similar products are found below :

[57.510.0053](#) [721-104/026-047](#) [721-204/026-045](#) [MC 1.5/ 6-ST-3.5 GY AU](#) [ET02015000J0G](#) [860505](#) [860516](#) [860810](#) [GBPACX-12](#)  
[93.731.4953.0](#) [PVP03-3,50](#) [PVS02-5,00](#) [1-1986160-3](#) [1377680000](#) [1531000000](#) [1546228-5](#) [ELFP03110](#) [ELFP10210](#) [ELFT07250](#)  
[ELVD12100](#) [ELVF09400](#) [ELXH071G0E](#) [1725220000](#) [1760336](#) [1855000000](#) [19346](#) [1946309](#) [1973592](#) [19892](#) [25.320.4053.1](#) [25.320.4553.9](#)  
[25.320.4753.1](#) [25.320.5453.1](#) [25.340.0353.1](#) [25.340.1053.1](#) [25.345.3553.0M001](#) [25.640.3553.1](#) [SH02-5,08](#) [SH06-3,81](#) [SH08-5,08](#) [SH08-](#)  
[5,08-K](#) [SH12-5,08](#) [SHS04-5,00](#) [30.303](#) [30.305](#) [30.306](#) [PHP09-5,08](#) [25.193.0453.0](#) [25.320.4653.1](#) [25.332.2453.1](#)