

HSF RoHS

REVISION RECORD				
REV	ECN	DESCRIPTION	DRFT	DATE
A		NEW		22.8.25

NOTES1:

- UL Standard
 1.Rated voltage/current : 300V / 15A
 2.Withstanding voltage : AC2000V/1Min.
 3.Torque value : M2.5 , 3.5Lb.in
 4.Wire range : 28~12AWG

IEC Standard

- | | |
|--------------------------|------|
| 1. Pollution degree | 2 |
| Overvoltage category | III |
| Rate impulse voltage(KV) | 4KV |
| Rate voltage(V) | 320V |
| Rate current(A) | 20A |
- 2.Torque value : M2.5 , 0.5N·m
 3.Wire range : 0.2~2.5mm²

NOTES2:

- 1.Dimension shall be interpreted per ASME Y14.5-2009
 2.Pitch : 5.08mm, Poles : N=02~22P
 3.Stripping length : 7~8mm
 4.Operating temperature: -40°C~+105°C
 5.Undimensioned tolerances:

Pitch range in mm		Nominal dimension range in mm							
TO	Over	TO	Over	TO	Over	TO	Over	0.1/10	
6	10	6	10	30	60	100	150		
10	24	30	60	100	150				
±0.15	±0.20	±0.30	±0.30	±0.50	±0.70	±1.00	±1.30	±2'	

6.RoHS Compliance

Ordering Information

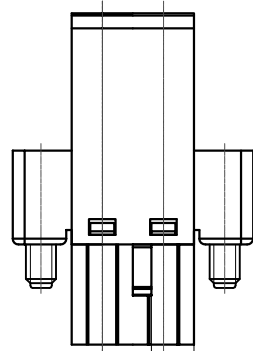
JL 2EDGKCM - 508 XX G 0 1

Pitch
508=5.08PH

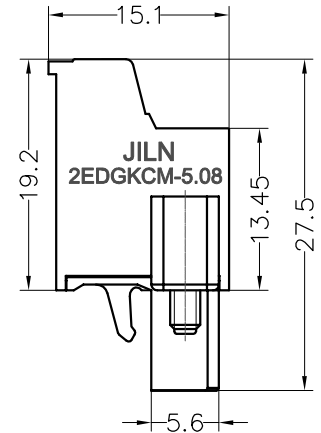
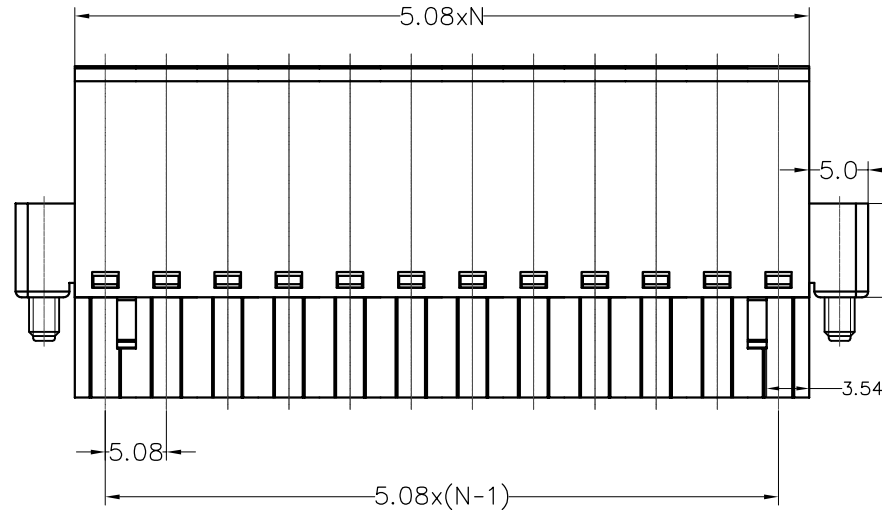
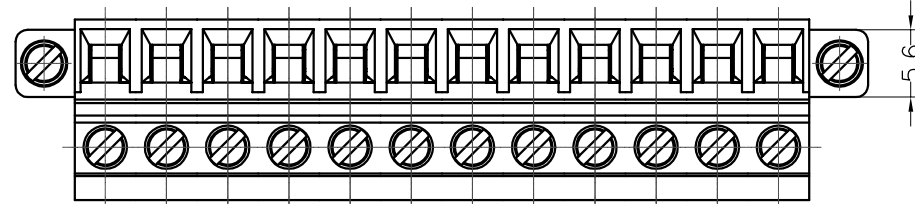
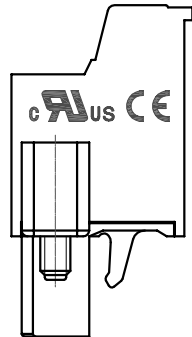
No.of pins
2P~24P

Housing Color
 B=Black
 G=Green
 U=Blue
 R=Red
 W=White
 Y=Yellow
 O=Orange
 E=Grey

Packing
 O=Pe bag
 A=Tray
 T=Tube



N=2



ITEM	NAME OF PART	MATERIAL	NOTES
5	Screw	Steel	M2.5/Zn Plated
4	Cage	Steel	M2.5/Zn Plated
3	Block	Steel	Zn Plated
2	Clamp	Copper alloy	Sn Plated
1	Housing	PA66	UL94V-0

DRAW	SHUANGPING ZHENG	SCALE	FIT
CHECK	LICHAO LIU	UNIT	mm
APPROVE	YONGLIANG GAO	SIZE	A4
		SHEET	1/1
		PROJ.	

JILN® 东莞市锦凌电子有限公司
 DONGGUAN JINLING ELECTRONIC CO.,LTD

PART NO. **JL2EDGKCM-508XXG01**

TITLE: **JL2EDGKCM-5.08-XXP插拔式母座/带耳/绿色**

X-ON Electronics

Largest Supplier of Electrical and Electronic Components

Click to view similar products for [Pluggable Terminal Blocks](#) category:

Click to view products by [JILN](#) manufacturer:

Other Similar products are found below :

[57.510.0053](#) [721-104/026-047](#) [721-204/026-045](#) [MC 1.5/ 6-ST-3.5 GY AU](#) [ET02015000J0G](#) [860505](#) [860516](#) [860810](#) [GBPACX-12](#)
[93.731.4953.0](#) [PVP03-3,50](#) [PVS02-5,00](#) [1-1986160-3](#) [1377680000](#) [1531000000](#) [1546228-5](#) [ELFP03110](#) [ELFP10210](#) [ELFT07250](#)
[ELVD12100](#) [ELVF09400](#) [ELXH071G0E](#) [1725220000](#) [1760336](#) [1855000000](#) [19346](#) [1946309](#) [1973592](#) [19892](#) [25.320.4053.1](#) [25.320.4553.9](#)
[25.320.4753.1](#) [25.320.5453.1](#) [25.340.0353.1](#) [25.340.1053.1](#) [25.345.3553.0M001](#) [25.640.3553.1](#) [SH02-5,08](#) [SH06-3,81](#) [SH08-5,08](#) [SH08-](#)
[5,08-K](#) [SH12-5,08](#) [SHS04-5,00](#) [30.303](#) [30.305](#) [30.306](#) [PHP09-5,08](#) [25.193.0453.0](#) [25.320.4653.1](#) [25.332.2453.1](#)