

**HSF** RoHS

REVISION RECORD				
REV	ECN	DESCRIPTION	DRFT	DATE
A		NEW		22.8.25

**NOTES1:**

- UL Standard  
 1. Rated voltage/current : 300V / 15A  
 2. Withstanding voltage : AC2000V/1Min.  
 3. Torque value : M2.5 , 3.5Lb.in  
 4. Wire range : 28~12AWG

**IEC Standard**

- |                          |      |
|--------------------------|------|
| 1. Pollution degree      | 2    |
| Overvoltage category     | III  |
| Rate impulse voltage(KV) | 4KV  |
| Rate voltage(V)          | 320V |
| Rate current(A)          | 20A  |
2. Torque value : M2.5 , 0.5N·m  
 3. Wire range : 0.2~2.5mm<sup>2</sup>

**NOTES2:**

1. Dimension shall be interpreted per ASME Y14.5-2009  
 2. Pitch : 5.08mm, Poles : N=02~22P  
 3. Stripping length : 7~8mm  
 4. Operating temperature: -40°C~+105°C  
 5. Undimensioned tolerances:

Pitch range in mm		Nominal dimension range in mm							
TO	Over	TO	Over	TO	Over	TO	Over	0.1/10	
6	10	10	30	30	60	100	150		
6	10	24	30	60	100	150			
±0.15	±0.20	±0.30	±0.30	±0.50	±0.70	±1.00	±1.30	±2'	

6. RoHS Compliance

**Ordering Information**

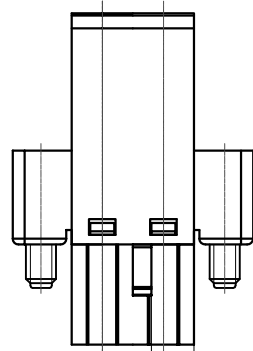
**JL 2EDGKCM - 508 XX G 0 1**

Pitch  
508=5.08PH

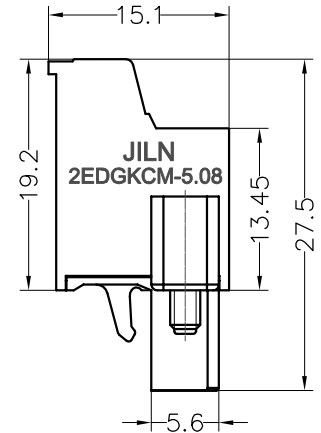
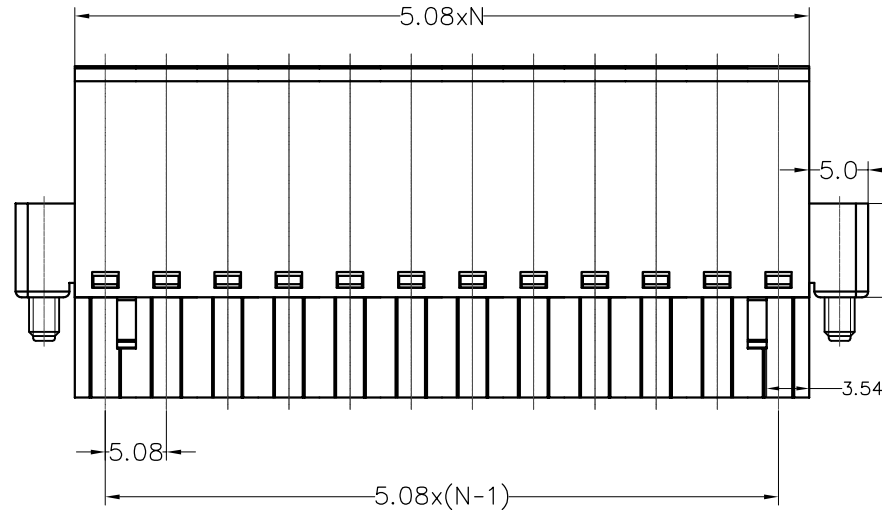
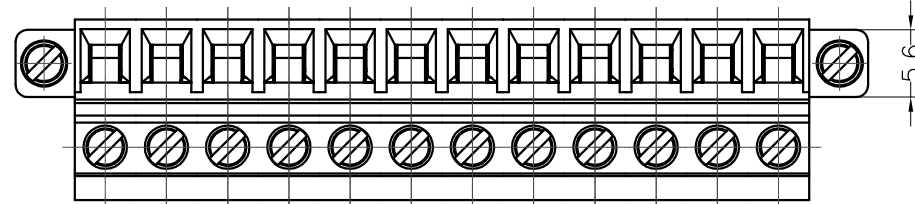
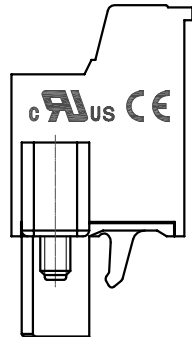
No. of pins  
2P~24P

Housing Color  
 B=Black  
 G=Green  
 U=Blue  
 R=Red  
 W=White  
 Y=Yellow  
 O=Orange  
 E=Grey

Packing  
 O=Pe bag  
 A=Tray  
 T=Tube



N=2



ITEM	NAME OF PART	MATERIAL	NOTES
5	Screw	Steel	M2.5/Zn Plated
4	Cage	Steel	M2.5/Zn Plated
3	Block	Steel	Zn Plated
2	Clamp	Copper alloy	Sn Plated
1	Housing	PA66	UL94V-0

DRAW	SHUANGPING ZHENG	SCALE	FIT
CHECK	LICHAO LIU	UNIT	mm
APPROVE	YONGLIANG GAO	SIZE	A4
		SHEET	1/1
		PROJ.	

**JILN**® 东莞市锦凌电子有限公司  
 DONGGUAN JINLING ELECTRONIC CO., LTD

PART NO. **JL2EDGKCM-508XXG01**

TITLE: **JL2EDGKCM-5.08-XXP插拔式母座/带耳/绿色**

## X-ON Electronics

Largest Supplier of Electrical and Electronic Components

*Click to view similar products for [Pluggable Terminal Blocks](#) category:*

*Click to view products by [JILN](#) manufacturer:*

Other Similar products are found below :

[57.510.0053](#) [721-104/026-047](#) [721-204/026-045](#) [MC 1.5/ 6-ST-3.5 GY AU](#) [ET02015000J0G](#) [860505](#) [860516](#) [860810](#) [GBPACX-12](#)  
[93.731.4953.0](#) [PVP03-3,50](#) [PVS02-5,00](#) [1-1986160-3](#) [1377680000](#) [1531000000](#) [1546228-5](#) [ELFP03110](#) [ELFP10210](#) [ELFT07250](#)  
[ELVD12100](#) [ELVF09400](#) [ELXH071G0E](#) [1725220000](#) [1760336](#) [1855000000](#) [19346](#) [1946309](#) [1973592](#) [19892](#) [25.320.4053.1](#) [25.320.4553.9](#)  
[25.320.4753.1](#) [25.320.5453.1](#) [25.340.0353.1](#) [25.340.1053.1](#) [25.345.3553.0M001](#) [25.640.3553.1](#) [SH02-5,08](#) [SH06-3,81](#) [SH08-5,08](#) [SH08-](#)  
[5,08-K](#) [SH12-5,08](#) [SHS04-5,00](#) [30.303](#) [30.305](#) [30.306](#) [PHP09-5,08](#) [25.193.0453.0](#) [25.320.4653.1](#) [25.332.2453.1](#)