

| REVISION RECORD | | | | |
|-----------------|-----|-------------|------|---------|
| REV | ECN | DESCRIPTION | DRFT | DATE |
| A | | NEW | | 22.8.25 |

NOTES1:
 UL Standard
 1.Rated voltage/current : 300V / 15A
 2.Withstanding voltage : AC2000V/1Min.
 3.Torque value : M2.5 , 3.5Lb.in
 4.Wire range : 28~12AWG

IEC Standard
 1.

| | |
|--------------------------|------|
| Pollution degree | 2 |
| Overvoltage category | III |
| Rate impulse voltage(KV) | 4KV |
| Rate voltage(V) | 320V |
| Rate current(A) | 20A |

 2.Torque value : M2.5 , 0.5N·m
 3.Wire range : 0.2~2.5mm²

NOTES2:
 1.Dimension shall be interpreted per ASME Y14.5-2009
 2.Pitch : 5.08mm, Poles : N=02~22P
 3.Stripping length : 7~8mm
 4.Operating temperature: -40°C~+105°C
 5.Undimensioned tolerances:

| Pitch range in mm | | Nominal dimension range in mm | | | | | | | |
|-------------------|-------|-------------------------------|-------|-------|-------|-------|-------|--------|--|
| TO | Over | TO | Over | TO | Over | TO | Over | 0.1/10 | |
| 6 | 10 | 6 | 10 | 30 | 60 | 100 | 150 | | |
| 10 | 24 | 30 | 60 | 100 | 150 | | | | |
| ±0.15 | ±0.20 | ±0.30 | ±0.30 | ±0.50 | ±0.70 | ±1.00 | ±1.30 | ±2' | |

6.RoHS Compliance

Ordering Information

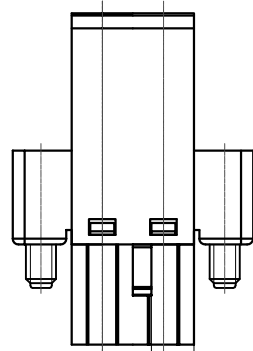
JL 2EDGKCM - 508 XX G 0 1

Pitch
508=5.08PH

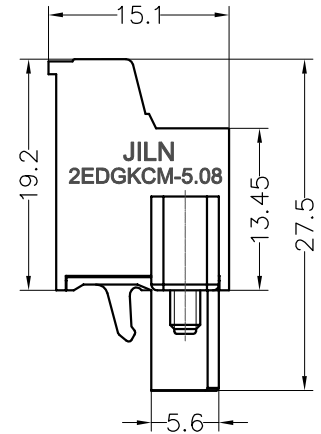
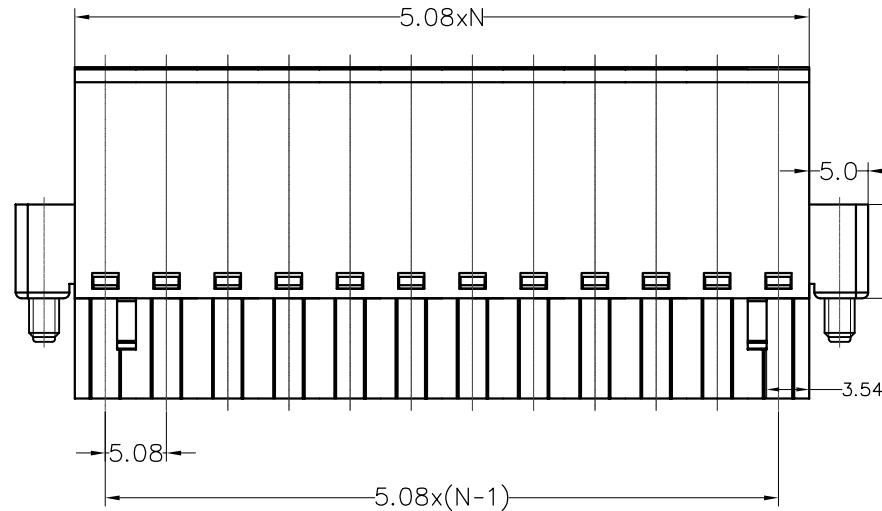
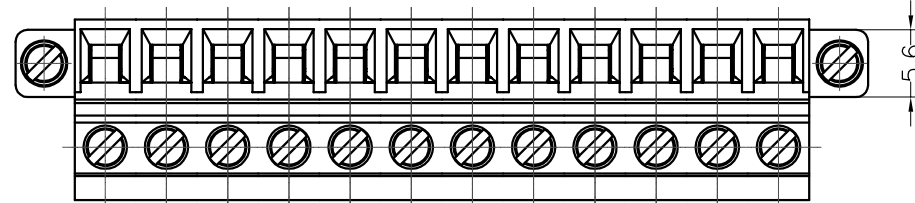
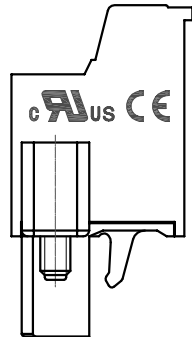
No.of pins
2P~24P

Housing Color
 B=Black
 G=Green
 U=Blue
 R=Red
 W=White
 Y=Yellow
 O=Orange
 E=Grey

Packing
 O=Pe bag
 A=Tray
 T=Tube



N=2



| ITEM | NAME OF PART | MATERIAL | NOTES |
|------|--------------|--------------|----------------|
| 5 | Screw | Steel | M2.5/Zn Plated |
| 4 | Cage | Steel | M2.5/Zn Plated |
| 3 | Block | Steel | Zn Plated |
| 2 | Clamp | Copper alloy | Sn Plated |
| 1 | Housing | PA66 | UL94V-0 |

| | | | |
|---------|------------------|-------|-----|
| DRAW | SHUANGPING ZHENG | SCALE | FIT |
| CHECK | LICHAO LIU | UNIT | mm |
| APPROVE | YONGLIANG GAO | SIZE | A4 |
| | | SHEET | 1/1 |
| | | PROJ. | ☉ |

JILN 东莞市锦凌电子有限公司
 DONGGUAN JINLING ELECTRONIC CO.,LTD

PART NO. **JL2EDGKCM-508XXG01**

TITLE: **JL2EDGKCM-508-XXP插拔式母座/带耳/绿色**

X-ON Electronics

Largest Supplier of Electrical and Electronic Components

Click to view similar products for [Pluggable Terminal Blocks](#) category:

Click to view products by [JILN](#) manufacturer:

Other Similar products are found below :

[57.510.0053](#) [721-104/026-047](#) [721-204/026-045](#) [MC 1.5/ 6-ST-3.5 GY AU](#) [ET02015000J0G](#) [860505](#) [860516](#) [860810](#) [GBPACX-12](#)
[93.731.4953.0](#) [PVP03-3,50](#) [PVS02-5,00](#) [1-1986160-3](#) [1377680000](#) [1531000000](#) [1546228-5](#) [ELFP03110](#) [ELFP10210](#) [ELFT07250](#)
[ELVD12100](#) [ELVF09400](#) [ELXH071G0E](#) [1725220000](#) [1760336](#) [1855000000](#) [19346](#) [1946309](#) [1973592](#) [19892](#) [25.320.4053.1](#) [25.320.4553.9](#)
[25.320.4753.1](#) [25.320.5453.1](#) [25.340.0353.1](#) [25.340.1053.1](#) [25.345.3553.0M001](#) [25.640.3553.1](#) [SH02-5,08](#) [SH06-3,81](#) [SH08-5,08](#) [SH08-](#)
[5,08-K](#) [SH12-5,08](#) [SHS04-5,00](#) [30.303](#) [30.305](#) [30.306](#) [PHP09-5,08](#) [25.193.0453.0](#) [25.320.4653.1](#) [25.332.2453.1](#)