

REVISION RECORD				
REV	ECN	DESCRIPTION	DRFT	DATE
A0		NEW		2023.09.01

NOTES1:  
 UL Standard  
 1.Rated voltage/current : 300V / 10A  
 2.Withstanding voltage : AC2000V/1Min.  
 3.Wire range : 26~12AWG

IEC Standard

1.

Pollution degree	2	2	3
Overvoltage category	II	III	III
Rate impulse voltage(KV)	6KV	4KV	4KV
Rate voltage(V)	1000V	400V	400V
Rate current(A)	20A		

2.Wire range : 0.2~2.5mm<sup>2</sup>

NOTES2:  
 1.Dimension shall be interpreted per ASME Y14.5-2009  
 2.Pitch : 7.62mm, Poles : N=02~24P  
 3.Torque value : M2.5, 3.54Lb.in  
 4.Stripping length : 9~10mm  
 5.Operating temperature:-40°C~+105°C  
 6.Undimensioned tolerances:

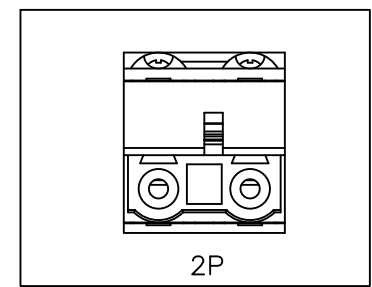
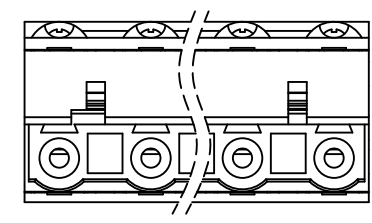
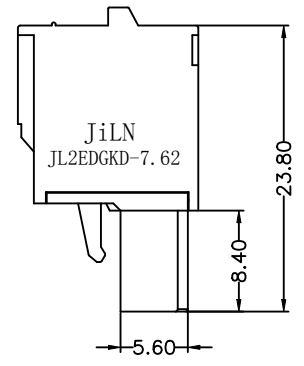
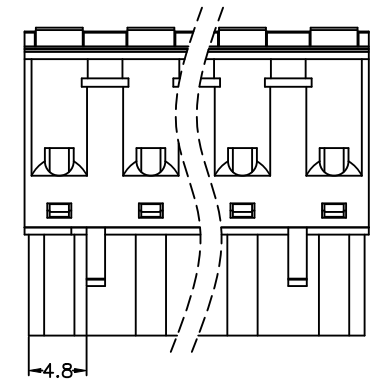
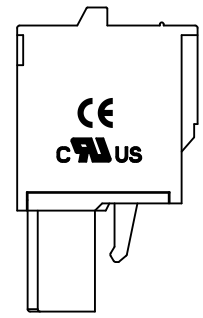
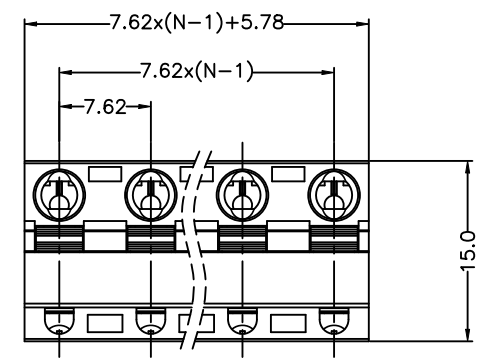
Pitch range in mm		Nominal dimension range in mm						0.1/10
TO	Over	TO	Over	TO	Over	TO	Over	
6	10	24	30	60	100	150	150	
±0.15	±0.20	±0.30	±0.30	±0.50	±0.70	±1.00	±1.30	
							±2'	

7.RoHS Compliance

### Ordering Information

JL 2EDGKD - 762 XX X XX

Pitch: 762=7.62PH  
 No.of pins: 2~24  
 Housing Color: B=Black, G=Green, U=Blue, R=Red, W=White, Y=Yellow, O=Orange, E=Grey  
 Serial code



DRAW	SCALE	FIT	<b>JILN</b> ® 东莞市锦凌电子有限公司 DONGGUAN JINLING ELECTRONIC CO.,LTD	
CHECK	SIZE	A4	PART NO.	JL2EDGKD-762XXXXX
			TITLE:	JL2EDGKD-7.62-XXP插拔式母座
APPROVE	SHEET	1/1		
	PROJ.			

## X-ON Electronics

Largest Supplier of Electrical and Electronic Components

*Click to view similar products for [Pluggable Terminal Blocks](#) category:*

*Click to view products by [JILN](#) manufacturer:*

Other Similar products are found below :

[57.510.0053](#) [721-104/026-047](#) [721-204/026-045](#) [MC 1.5/ 6-ST-3.5 GY AU](#) [ET02015000J0G](#) [860505](#) [860516](#) [860810](#) [GBPACX-12](#)  
[93.731.4953.0](#) [PVP03-3,50](#) [PVS02-5,00](#) [1-1986160-3](#) [1377680000](#) [1531000000](#) [1546228-5](#) [ELFP03110](#) [ELFP10210](#) [ELFT07250](#)  
[ELVD12100](#) [ELVF09400](#) [ELXH071G0E](#) [1725220000](#) [1760336](#) [1855000000](#) [19346](#) [1946309](#) [1973592](#) [19892](#) [25.320.4053.1](#) [25.320.4553.9](#)  
[25.320.4753.1](#) [25.320.5453.1](#) [25.340.0353.1](#) [25.340.1053.1](#) [25.345.3553.0M001](#) [25.640.3553.1](#) [SH02-5,08](#) [SH06-3,81](#) [SH08-5,08](#) [SH08-](#)  
[5,08-K](#) [SH12-5,08](#) [SHS04-5,00](#) [30.303](#) [30.305](#) [30.306](#) [PHP09-5,08](#) [25.193.0453.0](#) [25.320.4653.1](#) [25.332.2453.1](#)