

NOTES1:

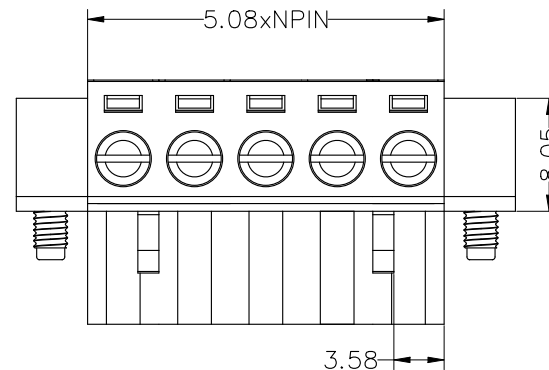
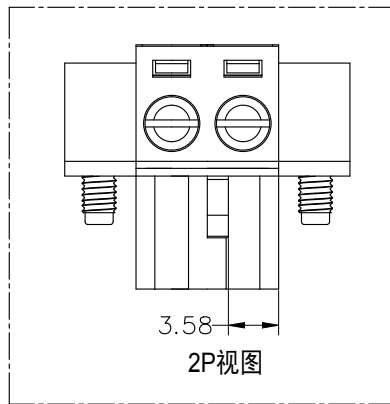
UL Standard

1. Rated voltage/current : 300V / 15A
2. Withstanding voltage : AC2000V/1Min.
3. Torque value : M2.5 , 3.5Lb.in
4. Wire range : 28~12AWG

IEC Standard

1. Pollution degree	2
Overvoltage category	III
Rate impulse voltage(KV)	4KV
Rate voltage(V)	320V
Rate current(A)	20A

2. Torque value : M2.5 , 0.5N·m
3. Wire range : 0.2~2.5mm<sup>2</sup>

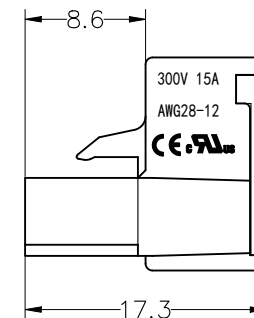
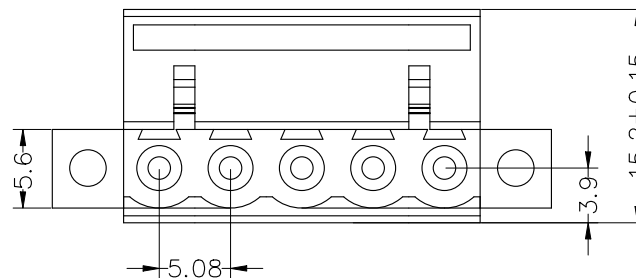
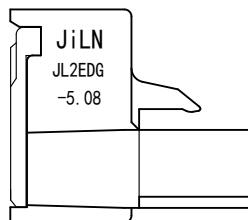


NOTES2:

1. Dimension shall be interpreted per ASME Y14.5-2009
2. Pitch : 5.08mm, Poles : N=02~24P
3. Stripping length : 7~8mm
4. Operating temperature: -40°C~+105°C
5. Undimensioned tolerances:

Pitch range in mm		Nominal dimension range in mm				0.1/10	±2°
TO	Over TO	TO	Over TO	Over TO	Over TO		
6	6 TO 10	30	30 TO 60	100	150		
±0.15	±0.20	±0.30	±0.30	±0.50	±0.70	±1.00	±1.30

6. RoHS Compliance



## Ordering Information

JL 2EDGKM - 508 XX X XX

Pitch  
508=5.08PH

No. of pins  
2~24

Housing Color  
B=Black  
G=Green(convention)  
U=Blue  
R=Red  
W=White  
Y=Yellow  
O=Orange  
E=Grey

Serial code

DRAW	SHUANGPING ZHENG	SCALE	FIT	东莞市锦凌电子有限公司 DONGGUAN JINLING ELECTRONIC CO., LTD	
		UNIT	mm		
CHECK	LICHAO LIU	SIZE	A4	PART NO.	JL2EDGKM-508XXXXX
		SHEET	1/1	TITLE:	JL2EDGKM-5.08-XXP插拔式母座/带耳/铜方块
APPROVE	YONGLIANG GAO	PROJ.			

## X-ON Electronics

Largest Supplier of Electrical and Electronic Components

*Click to view similar products for [Pluggable Terminal Blocks](#) category:*

*Click to view products by [JILN](#) manufacturer:*

Other Similar products are found below :

[57.510.0053](#) [721-104/026-047](#) [721-204/026-045](#) [MC 1.5/ 6-ST-3.5 GY AU](#) [ET02015000J0G](#) [860505](#) [860516](#) [860810](#) [GBPACX-12](#)  
[93.731.4953.0](#) [PVP03-3,50](#) [PVS02-5,00](#) [1-1986160-3](#) [1377680000](#) [1531000000](#) [1546228-5](#) [ELFP03110](#) [ELFP10210](#) [ELFT07250](#)  
[ELVD12100](#) [ELVF09400](#) [ELXH071G0E](#) [1725220000](#) [1760336](#) [1855000000](#) [19346](#) [1946309](#) [1973592](#) [19892](#) [25.320.4053.1](#) [25.320.4553.9](#)  
[25.320.4753.1](#) [25.320.5453.1](#) [25.340.0353.1](#) [25.340.1053.1](#) [25.345.3553.0M001](#) [25.640.3553.1](#) [SH02-5,08](#) [SH06-3,81](#) [SH08-5,08](#) [SH08-](#)  
[5,08-K](#) [SH12-5,08](#) [SHS04-5,00](#) [30.303](#) [30.305](#) [30.306](#) [PHP09-5,08](#) [25.193.0453.0](#) [25.320.4653.1](#) [25.332.2453.1](#)