

NOTES1:

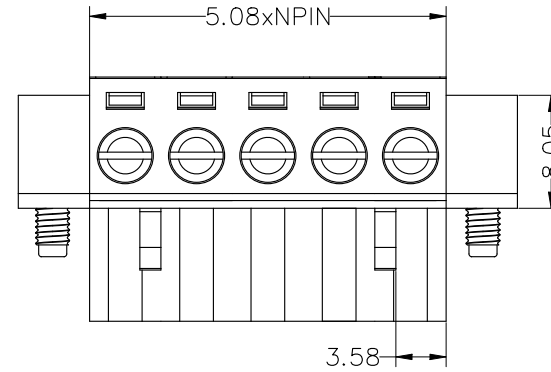
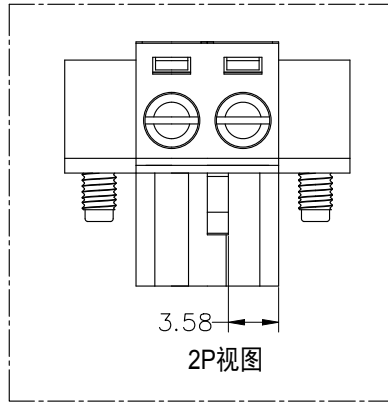
UL Standard

1. Rated voltage/current : 300V / 15A
2. Withstanding voltage : AC2000V/1Min.
3. Torque value : M2.5 , 3.5Lb.in
4. Wire range : 28~12AWG

IEC Standard

| | |
|--------------------------|------|
| 1. Pollution degree | 2 |
| Overvoltage category | III |
| Rate impulse voltage(KV) | 4KV |
| Rate voltage(V) | 320V |
| Rate current(A) | 20A |

2. Torque value : M2.5 , 0.5N·m
3. Wire range : 0.2~2.5mm²

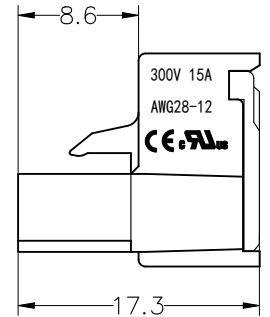
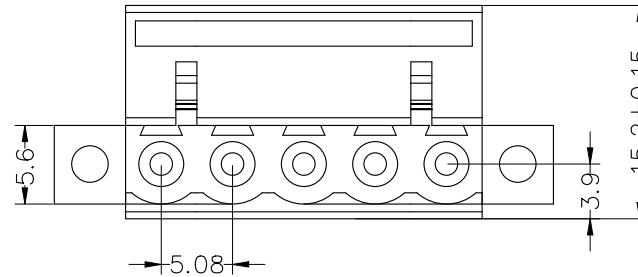
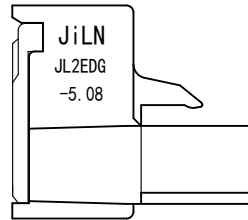


NOTES2:

1. Dimension shall be interpreted per ASME Y14.5-2009
2. Pitch : 5.08mm, Poles : N=02~24P
3. Stripping length : 7~8mm
4. Operating temperature: -40°C~+105°C
5. Undimensioned tolerances:

| Pitch range in mm | | Nominal dimension range in mm | | | | - | ∩ | ∇ |
|-------------------|---------|-------------------------------|-------|-----------|------------|-------|--------|-----|
| TO | Over | Over | TO | Over | Over | TO | TO | TO |
| 6 | 6 TO 10 | 10 TO 24 | 30 | 60 TO 100 | 100 TO 150 | 150 | 0.1/10 | < |
| ±0.15 | ±0.20 | ±0.30 | ±0.30 | ±0.50 | ±0.70 | ±1.00 | ±1.30 | ±2* |

6. RoHS Compliance



Ordering Information

JL 2EDGKM - 508 XX X XX

- Pitch: 508=5.08PH
- No. of pins: 2~24
- Housing Color:
 - B=Black
 - G=Green(convention)
 - U=Blue
 - R=Red
 - W=White
 - Y=Yellow
 - O=Orange
 - E=Grey
- Serial code

| | | | | | |
|---------|------------------|-------|-----|---|-------------------------------|
| DRAW | SHUANGPING ZHENG | SCALE | FIT | 东莞市锦凌电子有限公司 DONGGUAN JINLING ELECTRONIC CO., LTD | |
| | | UNIT | mm | | |
| CHECK | LICHAO LIU | SIZE | A4 | PART NO. | JL2EDGKM-508XXXXX |
| | | SHEET | 1/1 | TITLE: | JL2EDGKM-5.08-XXP插拔式母座/带耳/铜方块 |
| APPROVE | YONGLIANG GAO | PROJ. | | | |

X-ON Electronics

Largest Supplier of Electrical and Electronic Components

Click to view similar products for [Pluggable Terminal Blocks](#) category:

Click to view products by [JILN](#) manufacturer:

Other Similar products are found below :

[57.510.0053](#) [721-104/026-047](#) [721-204/026-045](#) [MC 1.5/ 6-ST-3.5 GY AU](#) [ET02015000J0G](#) [860505](#) [860516](#) [860810](#) [GBPACX-12](#)
[93.731.4953.0](#) [PVP03-3,50](#) [PVS02-5,00](#) [1-1986160-3](#) [1377680000](#) [1531000000](#) [1546228-5](#) [ELFP03110](#) [ELFP10210](#) [ELFT07250](#)
[ELVD12100](#) [ELVF09400](#) [ELXH071G0E](#) [1725220000](#) [1760336](#) [1855000000](#) [19346](#) [1946309](#) [1973592](#) [19892](#) [25.320.4053.1](#) [25.320.4553.9](#)
[25.320.4753.1](#) [25.320.5453.1](#) [25.340.0353.1](#) [25.340.1053.1](#) [25.345.3553.0M001](#) [25.640.3553.1](#) [SH02-5,08](#) [SH06-3,81](#) [SH08-5,08](#) [SH08-](#)
[5,08-K](#) [SH12-5,08](#) [SHS04-5,00](#) [30.303](#) [30.305](#) [30.306](#) [PHP09-5,08](#) [25.193.0453.0](#) [25.320.4653.1](#) [25.332.2453.1](#)