

REVISION RECORD				
REV	ECN	DESCRIPTION	DRFT	DATE
AO		NEW		2020.11.20

NOTES1:
 UL Standard
 1. Rated voltage/current : 320V /20A
 2. Withstanding voltage : AC2000V/1Min.
 3. Torque value : M2.5 , 0.4N.m
 4. Wire range : 28~12AWG

IEC Standard

1. Pollution degree	2
Overvoltage category	II
Rate impulse voltage(KV)	2.5KV
Rate voltage(V)	250V
Rate current(A)	7A

2. Torque value : M2.5 , 4.08kgf.cm
 3. Wire range : 0.2~3.31mm²

NOTES2:
 1. Dimension shall be interpreted per ASME Y14.5-2009
 2. Pitch : 5.08mm, Poles : N=02~24P
 3. Stripping length : 5~8mm
 4. Operating temperature: -40°C~+105°C
 5. Undimensioned tolerances:

Pitch range in mm		Nominal dimension range in mm							Tolerance	
TO	Over	TO	Over	TO	Over	TO	Over	0.1/10		
6	10	10	24	30	60	100	150		<	
±0.15	±0.20	±0.30	±0.30	±0.50	±0.70	±1.00	±1.30		±2°	

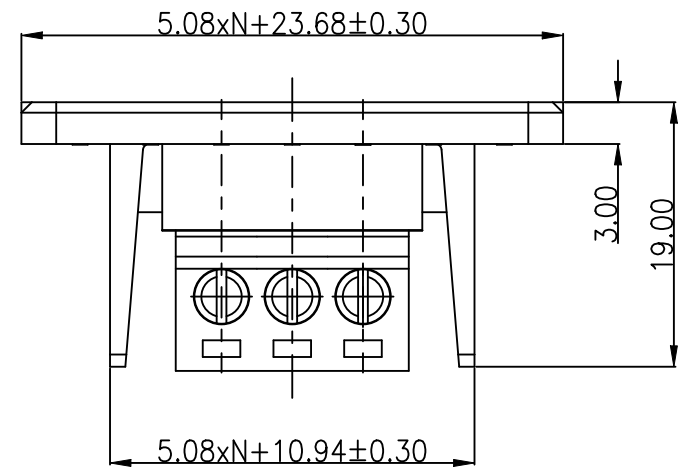
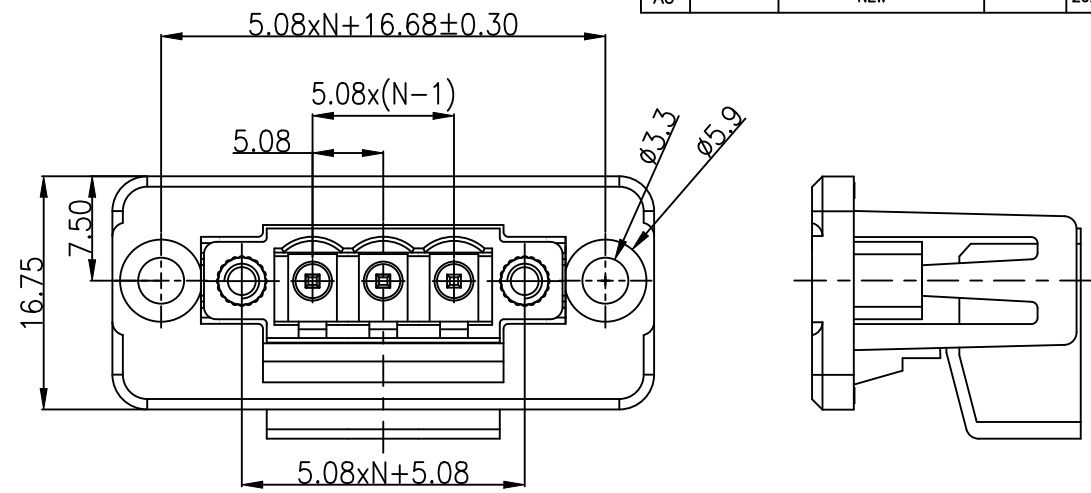
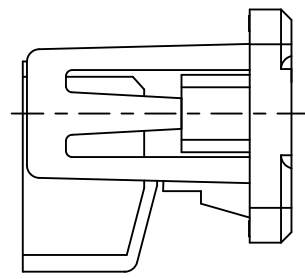
6. RoHS Compliance

Ordering Information

JL2EDGKWC - 508 XX X XX

Pitch 508=5.08PH No. of pins 2~24 Housing Color Serial code

B=Black
 G=Green
 U=Blue
 R=Red
 W=White
 Y=Yellow
 O=Orange
 E=Grey



DRAW	SHUANGPING ZHENG	SCALE	FIT	东莞市锦凌电子有限公司 DONGGUAN JINLING ELECTRONIC CO., LTD	
		UNIT	mm		
CHECK	LIULICHAO	SIZE	A4		
		SHEET	1/1		
APPROVE	GAO YONGLIANG	PROJ.		PART NO.	JL2EDGKWC-508XXXXX
				TITLE:	JL2EDGKWC-5.08-XXP插拔式端子台/两件式

X-ON Electronics

Largest Supplier of Electrical and Electronic Components

Click to view similar products for [Pluggable Terminal Blocks](#) category:

Click to view products by [JILN](#) manufacturer:

Other Similar products are found below :

[57.510.0053](#) [721-104/026-047](#) [721-204/026-045](#) [MC 1.5/ 6-ST-3.5 GY AU](#) [ET02015000J0G](#) [860505](#) [860516](#) [860810](#) [GBPACX-12](#)
[93.731.4953.0](#) [PVP03-3,50](#) [PVS02-5,00](#) [1-1986160-3](#) [1377680000](#) [1531000000](#) [1546228-5](#) [ELFP03110](#) [ELFP10210](#) [ELFT07250](#)
[ELVD12100](#) [ELVF09400](#) [ELXH071G0E](#) [1725220000](#) [1760336](#) [1855000000](#) [19346](#) [1946309](#) [1973592](#) [19892](#) [25.320.4053.1](#) [25.320.4553.9](#)
[25.320.4753.1](#) [25.320.5453.1](#) [25.340.0353.1](#) [25.340.1053.1](#) [25.345.3553.0M001](#) [25.640.3553.1](#) [SH02-5,08](#) [SH06-3,81](#) [SH08-5,08](#) [SH08-](#)
[5,08-K](#) [SH12-5,08](#) [SHS04-5,00](#) [30.303](#) [30.305](#) [30.306](#) [PHP09-5,08](#) [25.193.0453.0](#) [25.320.4653.1](#) [25.332.2453.1](#)